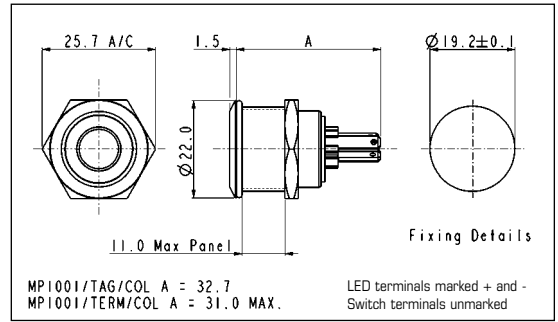


Stainless Steel Illuminated Vandal Resistant

FRONT PANEL MOUNTING



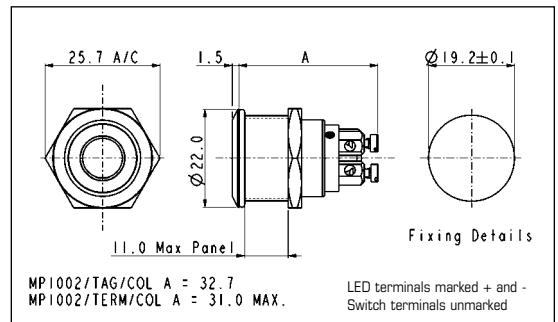
- Dot Illuminated
- 22mm diameter
- S.P. Push to Make
- 50mA, 24V dc contact rating
- Red, Green, Amber, Blue or White Illumination
- Bright Daylight LEDs
- Separate LED Terminals



FRONT PANEL MOUNTING



- Ring Illuminated
- 22mm diameter
- S.P. Push to Make
- 50mA, 24V dc contact rating
- Red, Green, Amber, Blue or White Illumination
- Bright Daylight LEDs
- Separate LED Terminals



Specification	MPI001/Termination/Col	MPI002/Termination/Col
Terminations:	/28 (2.8mm tabs), /Term (screw terminals)	/28 (2.8mm tabs), /Term (screw terminals)
Switching:	S.P. Push to make, tactile	S.P. Push to make, tactile
Max. Switch Rating:	50mA, 24V d.c.	50mA, 24V d.c.
LEDs (ratings @ 20mA)		
Colours	Red Green Amber Blue White	Red Green Amber Blue White
Luminous Intensity	900mcd 2500mcd 900mcd 1500mcd 900mcd	900mcd 2500mcd 900mcd 1500mcd 900mcd
Forward Voltage*	1.85V 3.5V 2.3V 3.5V 3.6V	1.85V 3.5V 2.3V 3.5V 3.6V
Part No.	/RD /GN /AM /BL /WH	/RD /GN /AM /BL /WH
	*An appropriate resistor must be series connected by the user	
Contact Resistance:	<100mΩ	<100mΩ
Insulation Resistance:	>10 ³ MΩ	>10 ³ MΩ.
Dielectric Strength:	Contact to Panel >2.0kV Contact to Contact 1500V	Contact to Panel >2.0kV Contact to Contact 1500V
Operating Temp. Range:	-30°C to +70°C	-30°C to +70°C
Sealing (Front of panel only):	Protection Classification: IP66 EN60529 1992	Protection Classification: IP66 EN60529 1992
Operations		
Mechanical:	750,000 (min)	750,000 (min)
Electrical:	35,000 (min)	35,000 (min)
Operating Pressure:	12N	12N
Rear Nut Fixing Torque:	0.57Nm	0.57Nm
Materials		
Switch assembly:	UL94V-0 rated Polyamide (Nylon)	UL94V-0 rated Polyamide (Nylon)
Tags:	Copper Alloy	Copper Alloy
Terminals:	Copper Alloy	Copper Alloy
Switch Body & Button:	Stainless Steel	Stainless Steel
Lens and Lens Body:	Polycarbonate	Polycarbonate
O ring:	Nitrile	Nitrile
Internal seal:	Silicone	Silicone
Contact Plate:	Gold Plated	Gold Plated
RoHS	Compliant	Complaint