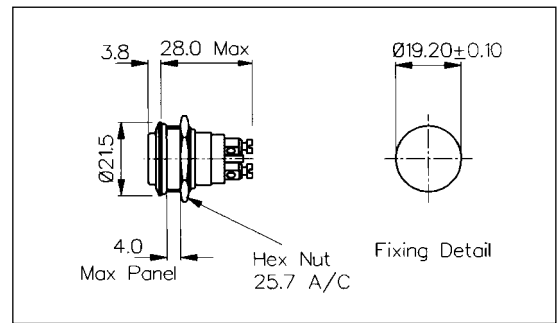


**Stainless Steel Prominent Button Vandal Resistant**

**FRONT PANEL MOUNTING**



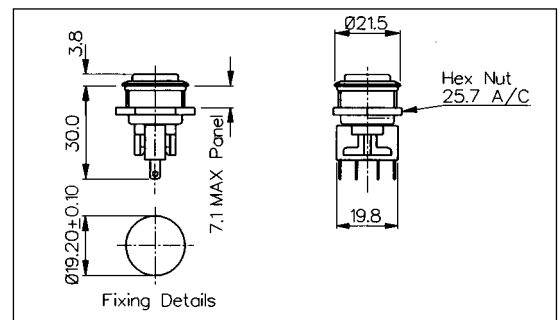
- Front Panel Sealed to IP68
- 21.5mm diameter
- Prominent Button
- S.P. Push to Make
- 1A, 50V



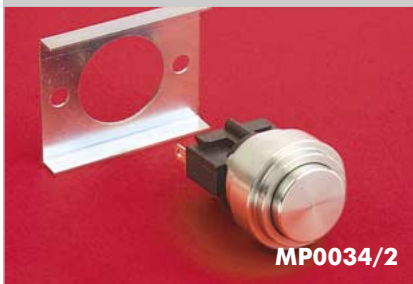
**FRONT PANEL MOUNTING**



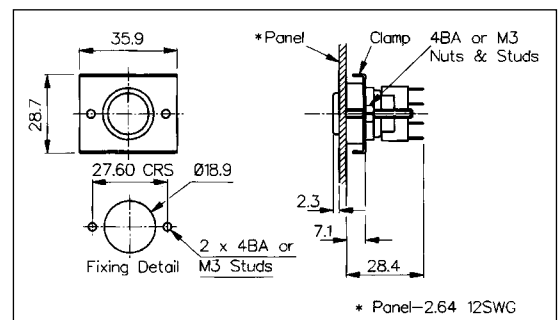
- Front Panel Sealed to IP66
- 21.5mm diameter
- Prominent Button
- S.P.C.O. Microswitch
- 5A, 250V a.c.



**REAR PANEL MOUNTING**



- 19mm diameter
- Prominent Button
- S.P.C.O. Microswitch
- 5A, 250V a.c.



Specification	MP0037/2	MP0031/2	MP0034/2
<b>Terminations:</b>	Screw Terminals	Solder Tags	Solder Tags
<b>Switching:</b>	S.P. Push to make Slow momentary action	S.P.C.O. Momentary Action (Microswitch)	S.P.C.O. Momentary Action (Microswitch)
<b>Max. Rating:</b>	1A, 50V	5A, 250V a.c.	5A, 250V a.c.
<b>Contact Resistance:</b>	<10mΩ	<10mΩ	<10mΩ
<b>Insulation Resistance:</b>	>10 <sup>5</sup> MΩ	>10 <sup>3</sup> MΩ.	>10 <sup>3</sup> MΩ
<b>Dielectric Strength:</b>	>1.0kV a.c.	>2.0kV a.c.	>2.0kV a.c.
<b>Operating Temp. Range:</b>	-20°C to +70°C	-20°C to +70°C	-20°C to +70°C
<b>Sealing (Front of panel only):</b>	Protection Classification: IP68 EN60529 1992 (Terminals not sealed)	Protection Classification: IP66 EN60529 1992 (Micro switch not sealed)	-
<b>Operations</b>			
<b>Mechanical:</b>	1,000,000 (min)	1,000,000 (min)	250,000 (min)
<b>Electrical:</b>	30,000 (min)	35,000 (min)	35,000 (min)
<b>Operating Pressure:</b>	7.5N (typ)	4.7N (typ)	2.7N (typ)
<b>Rear Nut Fixing Torque:</b>	0.57Nm	0.57Nm	-
<b>Materials</b>			
<b>Mouldings:</b>	Glass Filled Nylon	Glass Filled Nylon	Glass Filled Nylon
<b>Tags/Terminations:</b>	Brass, Silver Plated	Brass, Tin Plated	Brass, Tin Plated
<b>Switch Body &amp; Button:</b>	Stainless Steel	Stainless Steel	Stainless Steel
<b>Contacts:</b>	Brass, Silver Plated, Silver	Fine Silver	Fine Silver
<b>Variants:</b>	-	Engraved Button, Non-Rotating Button, details on request	Engraved Button, Non-Rotating Button, details on request
<b>RoHS</b>	Compliant	Compliant	Compliant