

Data sheet

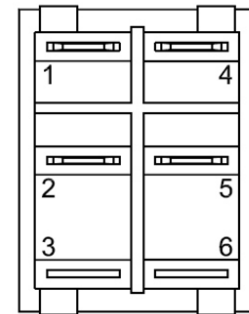
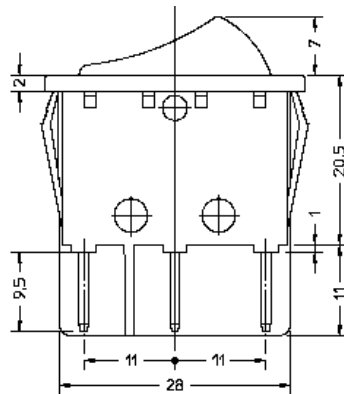
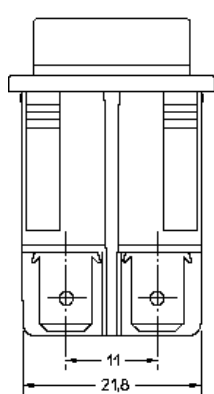
Article Description

Safety Rocker Switch Type 3652

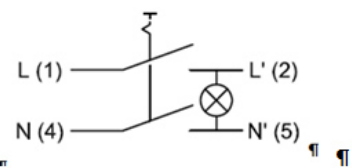
16 (8) A, 250 V, 2-pole, on/off-switch, T 125 ° C
with and without illumination,
snap-in mounting cut out 22 x 30 mm
faston 6,3 mm,
marking 0 - I

with protection against accidental contact

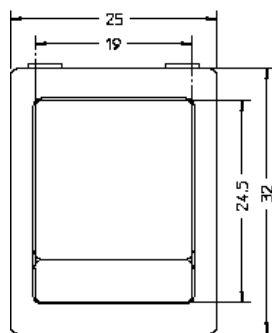
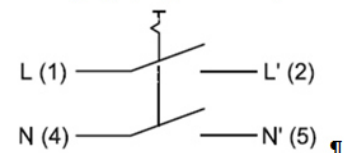
Article Picture



Anschlussbelegung, 2-polig, beleuchtet, Ein/Ausschalter



Anschlussbelegung, 2-polig, unbeleuchtet, Ein/Ausschalter



inter BÄR-No.	Colour housing/rocker	Version
3652-852.22	black/black	non-illuminated
3652-851.22	black/green	illuminated

Technical modifications reserved!
Works at 230 V-mains must only be carried out by a specialist!