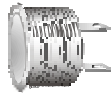
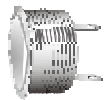


Measure:mm

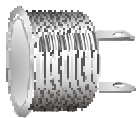
MSW-1201



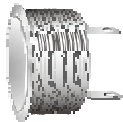
MSW-1202



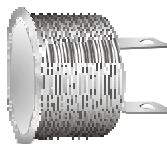
MSW-1401



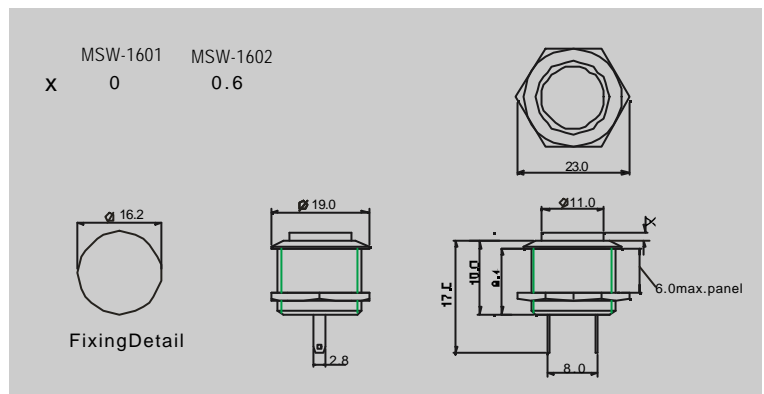
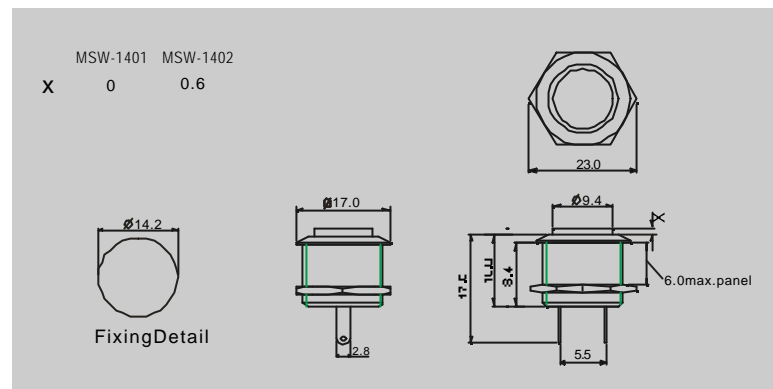
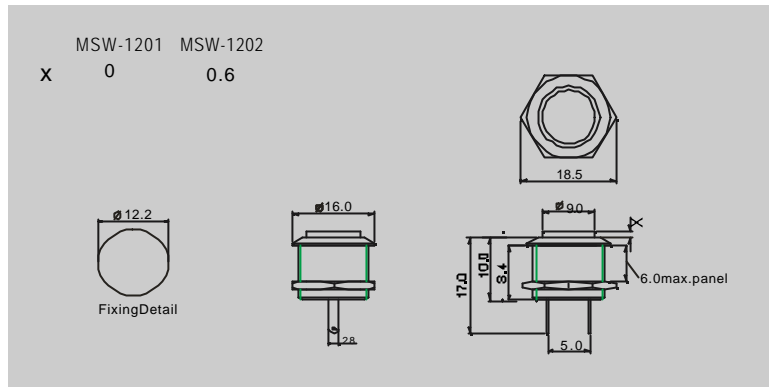
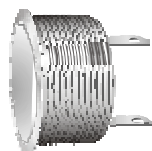
MSW-1402



MSW-1601



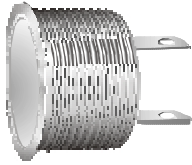
MSW-1602



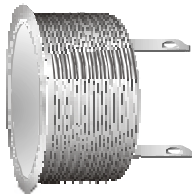
SPECIFICATION

- | | |
|-------------------------------|--------------------------|
| 1. Terminations: | Soldertags |
| 2. Max.rating: | 50mADC16V |
| 3. Initialcontactresistance : | 500m max. |
| 4. Operatingtemp. Range: | -20°C~+70°C |
| 5. Materials | |
| tags/terminals: | Brass, Tinplated |
| switchbody&button: | Stainlesssteel |
| 6. Operatinglife(5mA5VDC): | 1X10 ⁵ cycles |
| 7. Travel(mm): | 0.3 |

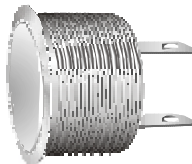
Measure:mm



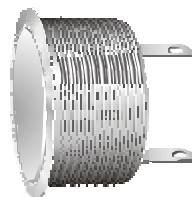
MSW-1901



MSW-2501

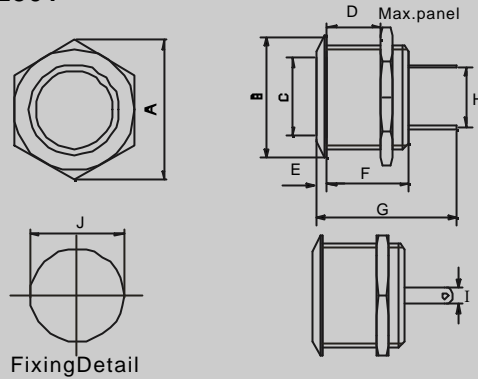


MSW-1902

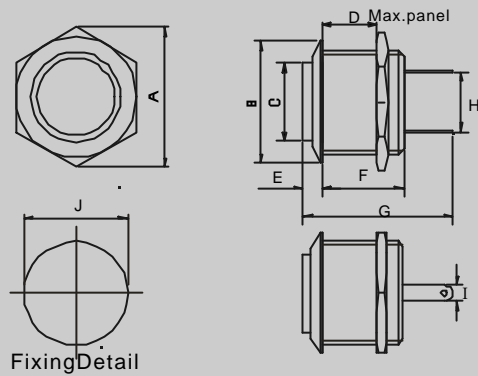


MSW-2502

MSW-1901;MSW-2501



MSW-1902;MSW-2502



LISTNO. / DIMENSIONS	MSW-1901	MSW-2501	MSW-1902	MSW-2502
A	24.2	31.2	24.2	31.2
B	∅22	∅27.0	∅22	∅27.0
C	∅14.2	∅18.0	∅14.2	∅18.0
D	13.0	13.0	13.0	13.0
E	1.9	1.9	2.9	2.9
F	14.1	14.1	14.1	14.1
G	25	25	26	26
H	11.5	13.2	11.5	13.2
I	2.8	2.8	2.8	2.8
J	∅19.2	∅25.2	∅19.2	∅25.2

SPECIFICATION:

- | | |
|------------------------------|--------------------------|
| 1.Terminations: | Solder tags |
| 2.Max.rating: | 5mA12VDC |
| 3.Initialcontact resistance: | 100M |
| 4.Operatingtemp.range : | -20°C ~ +70°C |
| 5.Materials | |
| tags/terminals: | brass,tinplated |
| switch body&button: | stainlesssteel |
| 6.Operatinglife(5mA5VDC): | 1X10 ⁵ cycles |
| 7.Travel(mm): | 2.0 |