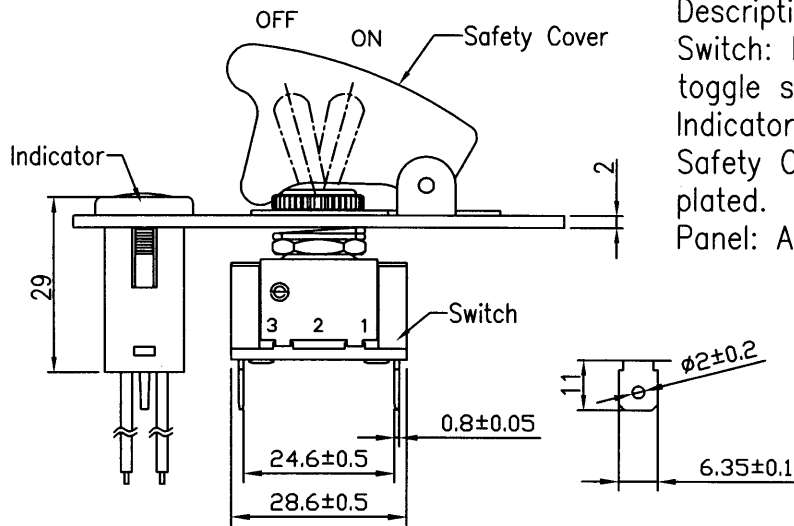
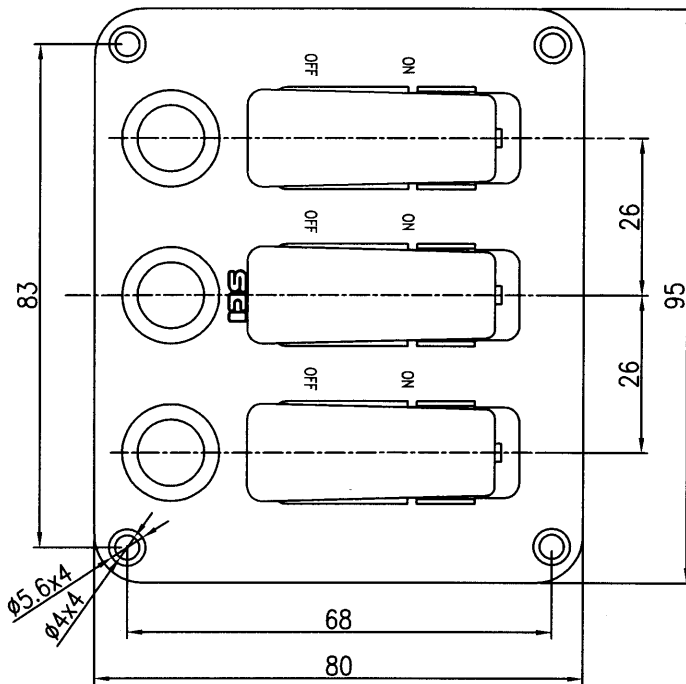


Rating	20A 12VDC, 10A 24VDC	Mounting Hole 	Circuit Diagram
Contact Resistance	50m ohm Max		
Insulation Resistance	DC 500V 100M ohm Min		
Dielectric Strength	AC 1500V 1minute		



Descriptions:
 Switch: R13-5, 2P SPST ON-OFF toggle switch.
 Indicator: R9-100L, Red LED.
 Safety Cover: R17-10, Bright red plated.
 Panel: Aluminum, Hair-line finished.



参1130288
CEI

							△
							△
Date	Name	Descriptions					NO
Drawn	Checked	Approved	SCI No.		Model Name	Panel switch modual	
黄平平	<i>[Signature]</i>		Customer No.		Model No.	R18-P3A-5R17100L-N	REV.
06/20/08	6/20-08		Unit	mm	SHIN CHIN INDUSTRIAL CO., LTD.		0