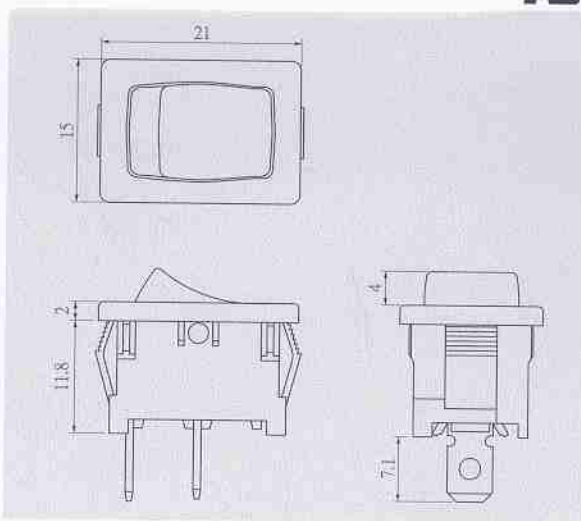


R13-66



Contact resistance
50mΩ Max
Insulation resistance
DC 500V 100MΩ Min
Dielectric strength
AC 1500V 1 minute
Cut-out

	X	Y
	X	Y
0.75-1.25	19.2-0.1	13.0+0.1
1.25-2	19.4-0.1	13.0+0.1
2-3	19.8-0.1	13.0+0.1

FEATURES

- * MATERIAL: Frames are nylon (UL flame: 94V-2). Terminals are silver plated brass.
- * Illuminated actuators are molded in PC, available with red, amber, and green colors.
- * Snap-in mounting, easy to install switch into panel.
- * Waterproof cover is optional.
- * Dust resistant.



R13-66

FUNCTION			RATING	TERMINAL
A ON OFF 2P SPST	C ON ON 3P SPDT	G ON ON (ON) 3P SPDT	10A 125V AC 6A 250V AC A 16A 125V AC 10A 250V AC	0 2 .187" SQ
A 3 ON OFF 2P SPST	D ON OFF ON 3P SPDT	H ON OFF (ON) 3P SPDT		S 6A 125V AC 3A 250V AC
B ON OFF 3P SPST (ILLUMINATED) 125VAC 33KΩ / 250VAC 150KΩ	E ON (OFF) 2P SPST	I (ON) OFF (ON) 3P SPDT	R13-66S-02 R13-66D-02 R13-66E-02 R13-66L-02 R13-66L-05	
B 2 ON OFF 3P SPST (ILLUMINATED) 125VAC 33KΩ / 250VAC 150KΩ	F (ON) OFF 2P SPST	L ON OFF 4P SPST (LED) LED Rating @ 10MA V _f =1.85V		

* () = momentary