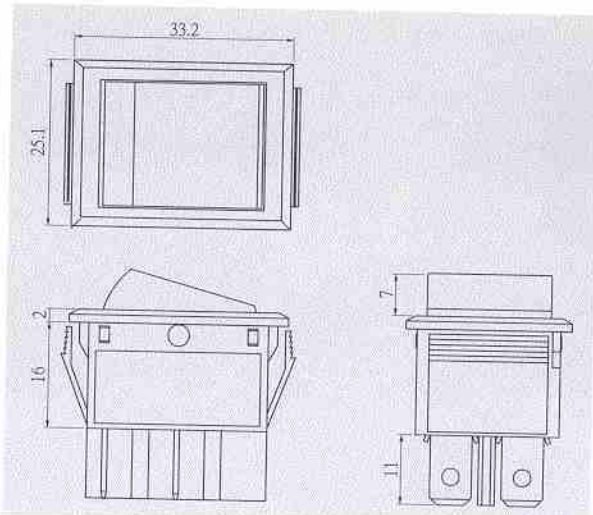
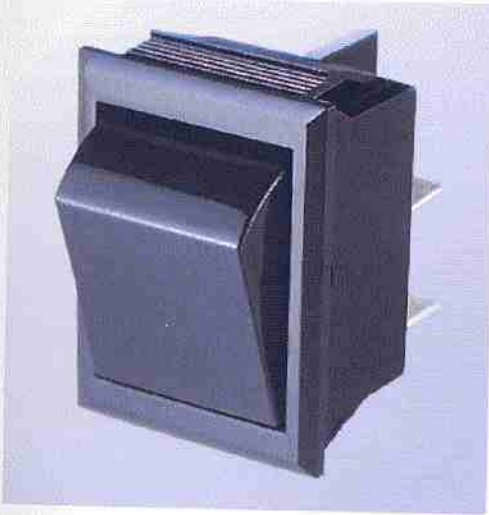


R13-69



Rating	
16A 125V AC	1/8HP 125VAC
10A 250V AC	1/3HP 250VAC
Contact resistance	
50mΩ Max	
Insulation resistance	
DC 500V 100MΩ Min	
Dielectric strength	
AC 1500V 1 minute	
Cut-out	

FEATURES

- * MATERIAL: Frames are nylon (UL flame: 94V-2). Terminals are silver plated brass.
- * Illuminated actuators are molded in PC, available with red, amber, and green colors.
- * Snap-in mounting, easy to install switch into panel.

	X	Y
0 1	X	Y
0 5	X	Y
0 1	30.2-0.1	22.2+0.1
0 5	30.4-0.1	22.2+0.1
2-3	30.8-0.1	22.2+0.1

R13-69

