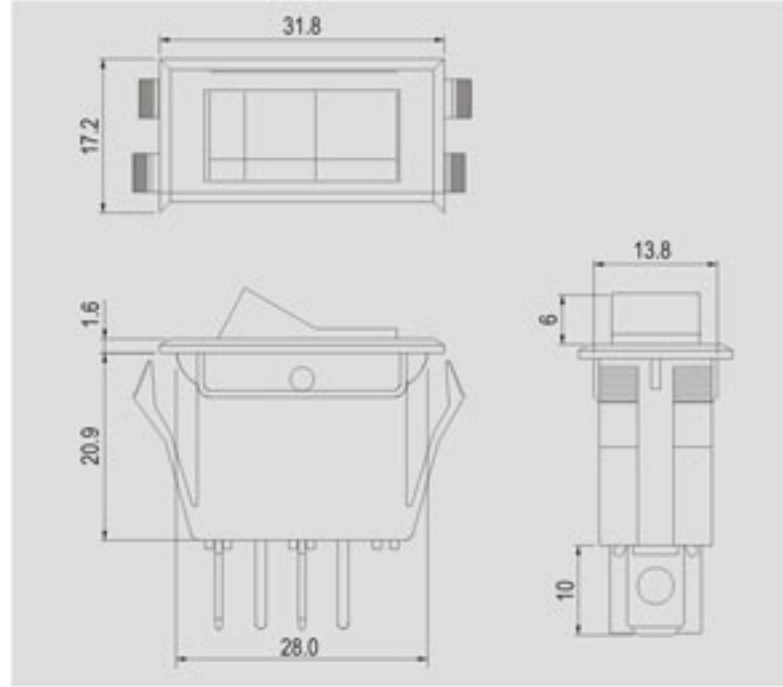


R13-72



Rating		
15A	125V AC	1/8HP 125VAC
10A	250V AC	1/3HP 250VAC
Contact resistance		
50mΩ Max		
Insulation resistance		
DC 500V 100MΩ Min		
Dielectric strength		
AC 1500V 1 minute		
Cut-out		

	X	Y
	X	Y
0.75-1.25	28.6-0.1	14.0+0.1
1.25-2	28.8-0.1	14.0+0.1
2-3	29.2-0.1	14.0+0.1

FEATURES

- * MATERIAL: Frames are nylon (UL flame: 94V-2). Terminals are silver plated brass.
- * Illuminated actuators are molded in PC, available with red, amber and green colors.
- * Snap-in mounting, easy to install switch into panel.

R13-72 -

FUNCTION		TERMINAL
A ON OFF 2P SPST	F (ON) OFF 2P SPST	0 1 .250" SQ
B ON OFF 3P SPST (ILLUMINATED) 125VAC 33KΩ / 250VAC 150KΩ	I (ON) OFF (ON) 3P SPDT	*() = momentary
C ON ON 3P SPDT		
D ON OFF ON 3P SPDT		

