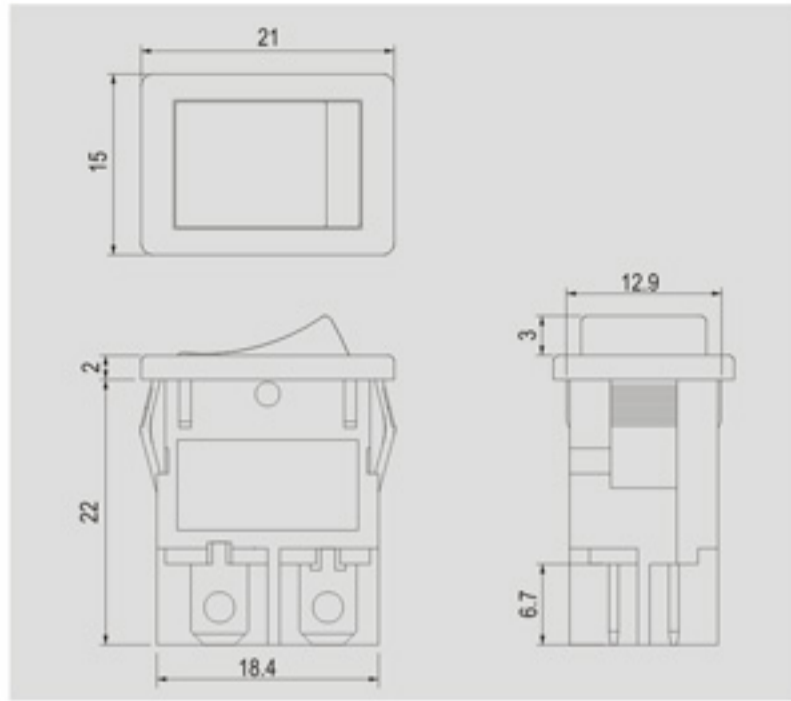


R13-73



Rating
10A 125V AC 6A 250V AC
Contact resistance
50mΩ Max
Insulation resistance
DC 500V 100MΩ Min
Dielectric strength
AC 1500V 1 minute
Cut-out



Terminal Spacing	X	Y
0.75-1.25	19.2-0.1	13.0+0.1
1.25-2	19.4-0.1	13.0+0.1
2-3	19.8-0.1	13.0+0.1

FEATURES

- * MATERIAL: Frames are nylon (UL flame: 94V-2). Terminals are silver plated brass.
- * Illuminated actuators are molded in PC, available with red, amber and green colors.
- * Snap-in mounting, easy to install switch into panel.
- * Lower rating than R13-73 A series.

Ordering number instruction

R13-73 ■■ - ■■

FUNCTION		TERMINAL
Different button (按鈕不同)		0 2 .187" SQ
A		0 9 PC
		1 0 PC ANGLE
Illuminated button (帶燈)		
B		
C		
Different position (動作特性不同)		
D		

