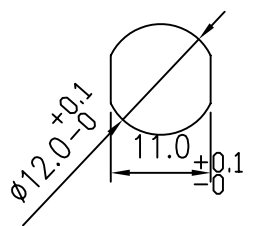
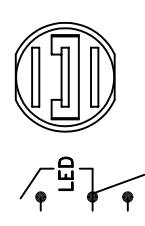
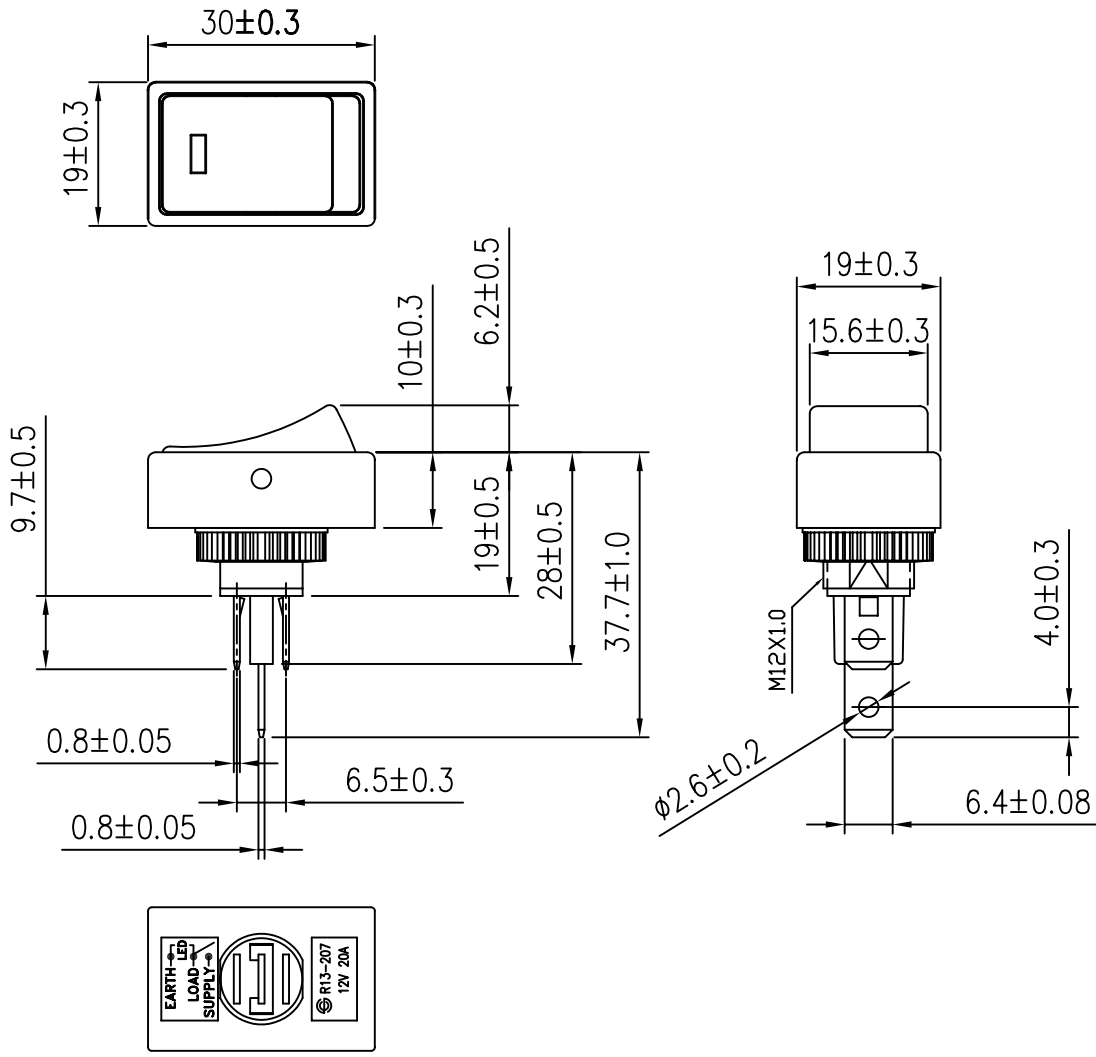


Rating	12VDC 20A		
Contact Resistance	50m ohm Max.		
Insulation Resistance	DC 500V 100M ohm Min.		
Dielectric Strength	AC 1500V 1 minute		
Switch Function	3P SPST ON-OFF (LED)		



Date		Name		Description			NO	
Drawn	Checked	Approved	SCI BOM No.	1821806	Model Name	ROCKER SWITCH		
黄平平			Customer No.		Model No.	R13-207L	REV.	
04/02/'08			Unit	mm	SHIN CHIN INDUSTRIAL CO., LTD.			0