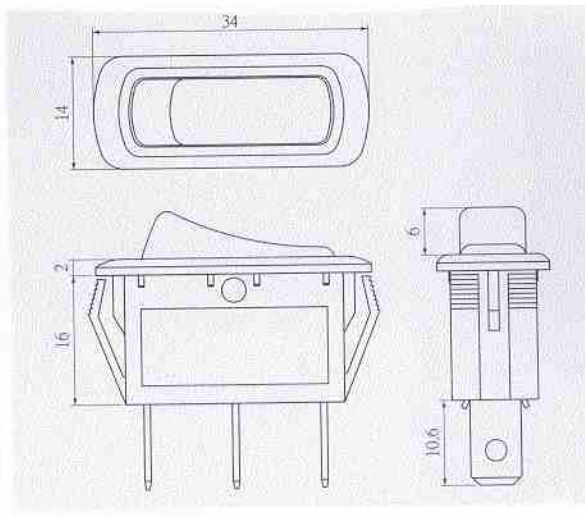


# R13-222



<b>Rating</b>
16A 125V AC 10A 250V AC
<b>Contact resistance</b>
50mΩ Max
<b>Insulation resistance</b>
DC 500V 100MΩ Min
<b>Dielectric strength</b>
AC 1500V 1 minute
<b>Cut-out</b>



Terminal	X	Y
0.75-1.25	30.2-0.1	11.2+0.1
1.25-2	30.4-0.1	11.2+0.1
2-3	30.8-0.1	11.2+0.1

## FEATURES

- \* MATERIAL: Frames are nylon (UL flame: 94V-2). Terminals are silver plated brass.
- \* Illuminated actuators are molded in PC, available with red, amber, and green colors.
- \* Snap-in mounting, easy to install switch into panel.

# R13-222

