

wentronic

Ihr Ansprechpartner

Gerold Heer

Telephone (05 31) 2 10 58 17  
 Telefax (05 31) 2 10 58 22  
 e-mail: gerold.heer@wentronic.de

DATA SHEET

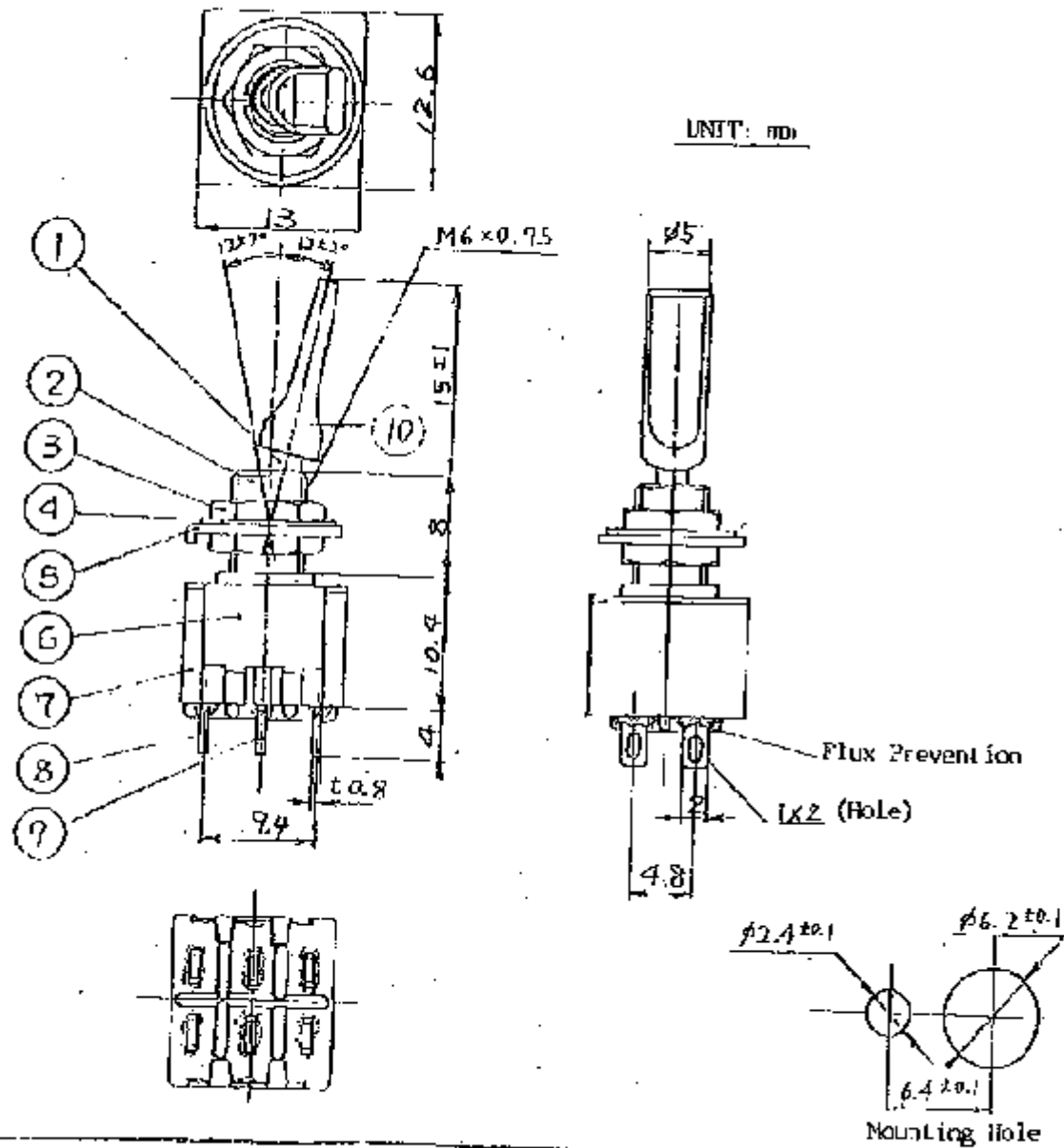
Model MS-500-H-MP (Red)  
 Toggle Switch

Specification

Rating : 6A 125VAC  
 Circuit: DPDT ON-OFF-ON  
 Contact Resistance : 20mΩ or less  
 Insulation Resistance :  
 1000V DC Megger 100MΩ or more  
 Voltage Breakdown :  
 1000V AC (Between Terminals)  
 Durability : Rated Load with Resistance  
 5,000 cycles  
 Non-Load : 30,000 cycles

Construction

- 1) Lever Brass Nickel Plated
- 2) Metal Brass Nickel Plated
- 3) Hex Nut Steel Nickel Plated
- 4) Lock Washer Steel Unichromate
- 5) Lock Ring Steel Unichromate
- 6) Frame Stainless Steel Cleaning
- 7) Body Melanine Phenolic Resin (Blue)
- 8) Terminal Silver-clad Copper Silver Plated
- 9) Common Terminal Copper Silver Plated
- 10) Rx. Lever ABS (RED)



MIYAMA ELECTRIC CO., LTD. TOKYO JAPAN