

wentronic

Ihr Ansprechpartner
Gerold Heer

Telephone (05 31) 2 10 58 17
 Telefax (05 31) 2 10 58 22
 e-mail: gerold.heer@wentronic.de

DATA SHEET

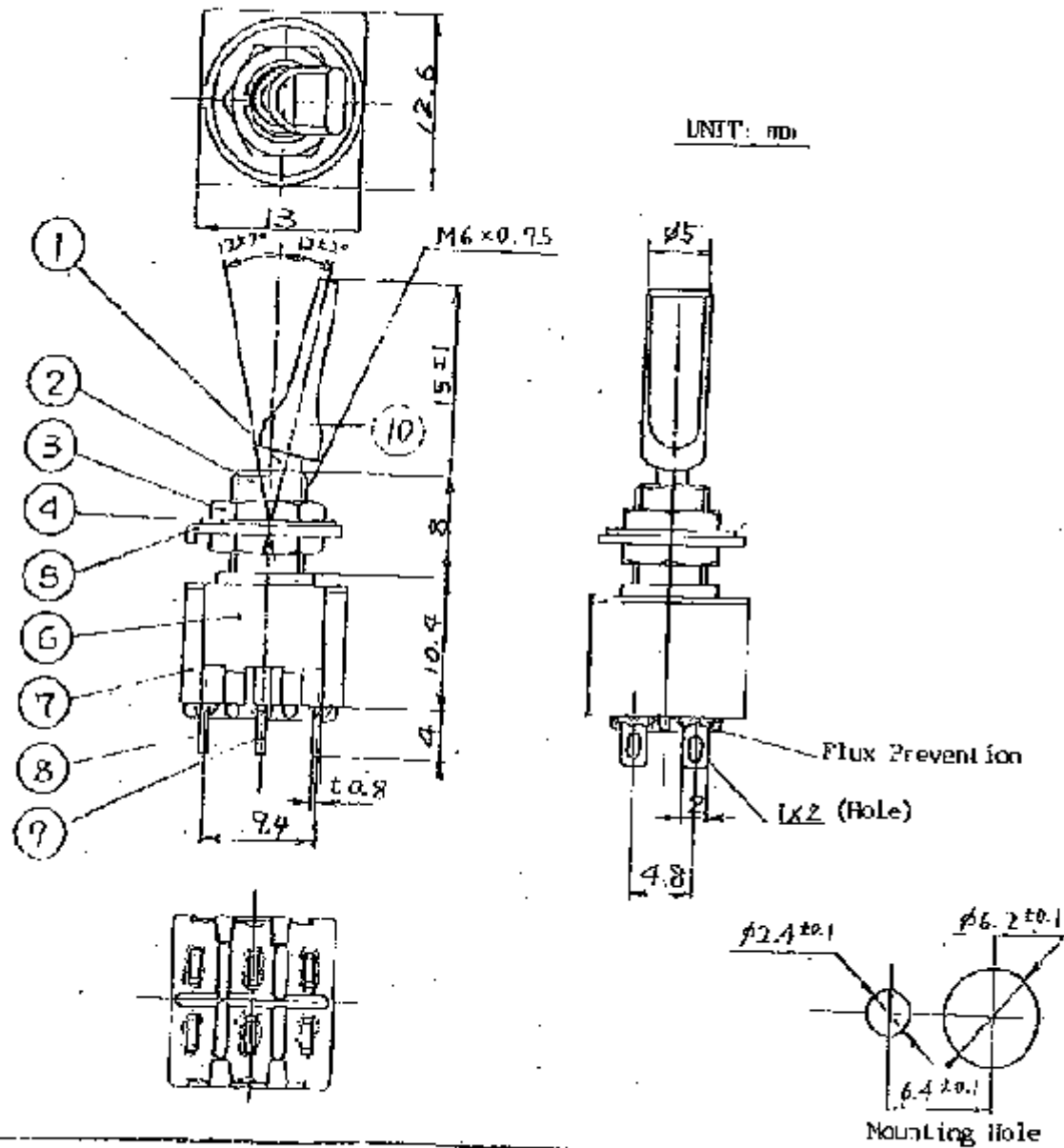
Model MS-500-H-MP (Red)
 Toggle Switch

Specification

Rating : 6A 125VAC
 Circuit: DPDT ON-OFF-ON
 Contact Resistance : 20mΩ or less
 Insulation Resistance :
 500V Megger 100MΩ or more
 Voltage Breakdown :
 1000V AC (Between Terminals)
 Durability : Rated Load with Resistance
 5,000 cycles
 Non-Load : 30,000 cycles

Construction

- 1) Lever Brass Nickel Plated
- 2) Metal Brass Nickel Plated
- 3) Hex Nut Steel Nickel Plated
- 4) Lock Washer Steel Unichromate
- 5) Lock Ring Steel Unichromate
- 6) Frame Stainless Steel Cleaning
- 7) Body Melamine Phenolic Resin (Blue)
- 8) Terminal Silver-clad Copper Silver Plate
- 9) Common Terminal Copper Silver Plated
- 10) Rx. Lever ABS (RED)



MIYAMA ELECTRIC CO., LTD. TOKYO JAPAN