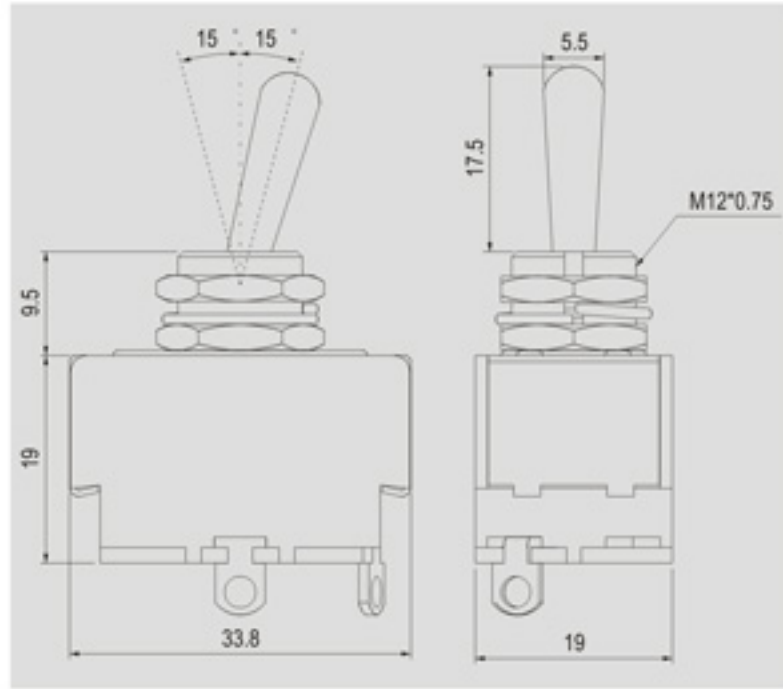


R13-28



Rating
15A 125V AC 10A 250V AC
Contact resistance
50mΩ Max
Insulation resistance
DC 500V 100MΩ Min
Dielectric strength
AC 1500V 1 minute
Cut-out

FEATURES

- * MATERIAL: Frames are metal plated. Terminals are nickel plated brass.
- * Phenolic base.
- * Standard toggle lever.
- * Indicator plate and waterproof boot are optional.



R13-28 -

FUNCTION				TERMINAL
A ON OFF 2P SPST	E ON OFF ON 6P DPDT	I ON (ON) 3P SPDT	S (ON) OFF 4P DPST	0 1 .250" SQ
B ON ON 6P DPDT	F ON OFF 4P DPST	K (ON) OFF (ON) 6P DPDT	U (ON) ON (ON) 6P DPDT	0 5 SO
C ON ON 3P SPDT	G (ON) OFF (ON) 3P SPDT	M ON OFF (ON) 6P DPDT	L ON ON (ON) 6P DPDT	0 6 SC 3
D ON OFF ON 3P SPDT	H ON OFF (ON) 3P SPDT	P ON (ON) 6P DPDT		0 7 SC 4

* () = momentary