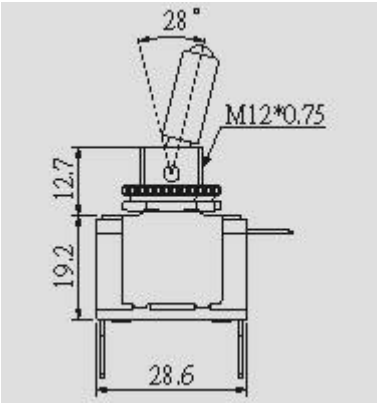


R13-404

R13-404



20A 12V DC

Ø 12.2

6 mm max

R13-404



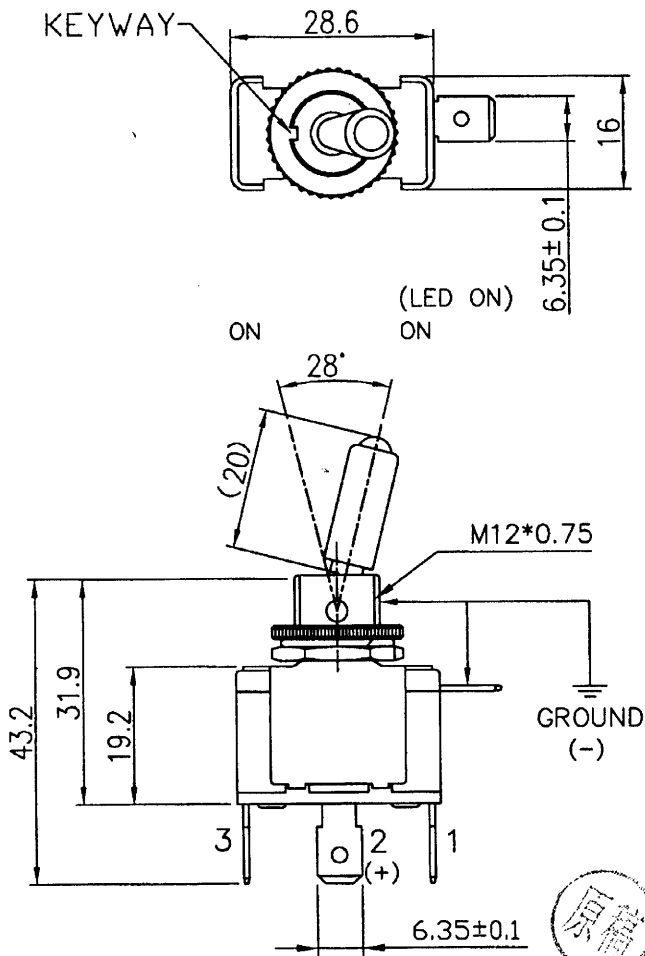
FUNCTION

TERMINAL



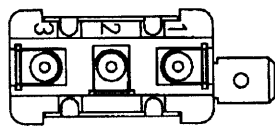
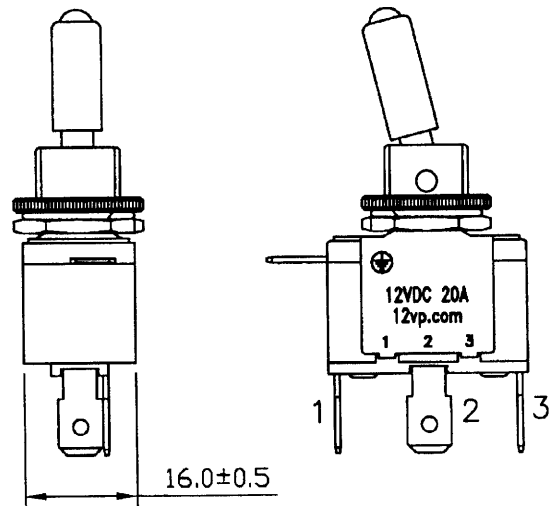
.250" Quick connect

Rating	20A 12VDC	Mount Hole	Circuit Structure
Contact R	50m ohm Max.		
Insulation R	DC 500V 100M ohm Min.		
Dielectric Strength	AC 1500V 1 minute		
Circuit	4P SPST ON-ON (LED)		



Descriptions:

1. Material: Frames are nylon (UL flame: 94V-2). Terminals are silver plated brass.
2. LED indicator on the top of lever. LED red.



一般公差 ±0.5

C8\R13\R13-404CL-01(RED)

						△	
						△	
						NO	
Date	Name	Descriptions					
Drawing	Check	Approval	SCI No.	1811319	Model Name	TOGGLE SWITCH	
曹盈芳	<i>[Signature]</i>	<i>[Signature]</i>	Customer No.		Model No.	R13-404CL-01	
02/02/04	<i>[Signature]</i>	2/12-04	Unit	mm	SHIN CHIN INDUSTRIAL CO., LTD.		