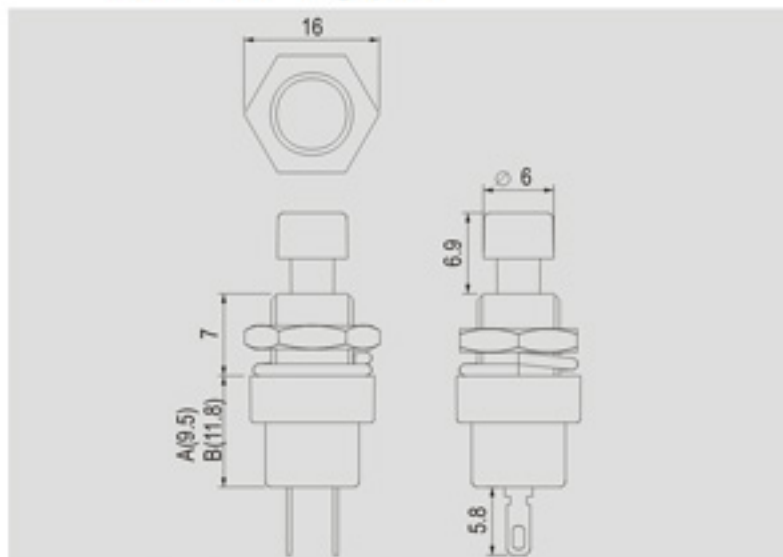
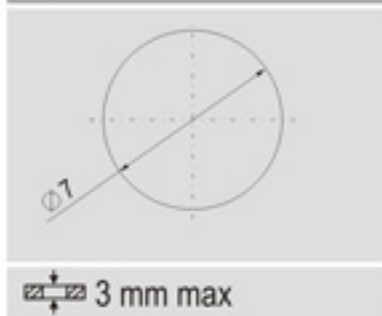


R13-509

Screw Type



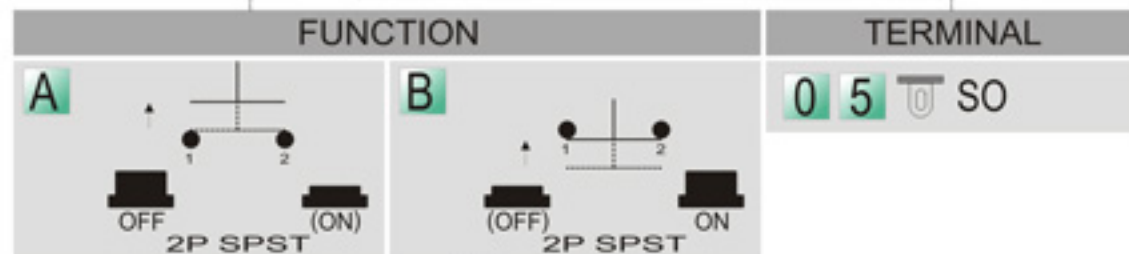
Rating	3A 125V AC 1.5A 250V AC
Contact resistance	50mΩ Max
Insulation resistance	DC 500V 100MΩ Min
Dielectric strength	AC 1000V 1 minute
Cut-out	



FEATURES

- * MATERIAL: Actuators and Frames are nylon (UL flame: 94V-2). Terminals are silver plated brass.
- * Mounted by nut.

R13-509 ■ - ■ ■



* () = momentary