

# Datasheet

Item no. 701262/701261/ 701263/ 701269/ 701268 & 1564914/ 701270/  
701285/ 701284/ 701286

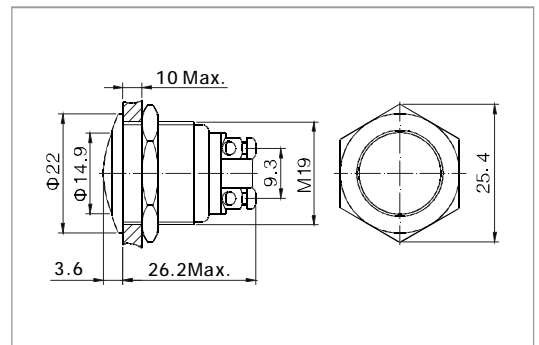
V1\_0617\_01\_en

## ANTI-VANDAL PUSHBUTTONS

### PUSH BUTTON SWITCH



- ⊙  $\Phi$  19mm diameter
- ⊙ 2A/48VDC
- ⊙ 1NO
- ⊙ The Front Shape:Domed
- ⊙ The crust material:Stainless Steel/  
Brass(Nikel Plated,Gold Plated)
- ⊙ IP Degree:IP65



701262 : Push Button Switch, 19mm, Spheroid head, Gold plated

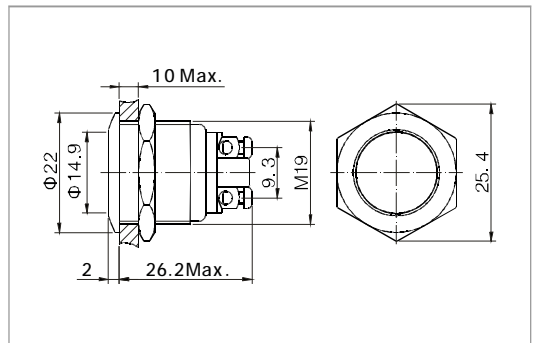
701261 : Push Button Switch, 19mm, Spheroid Head, Nickel plated

701263 : Push Button Switch, 19mm, Spheroid Head, Stainless Steel

### PUSH BUTTON SWITCH



- ⊙  $\Phi$  19mm diameter
- ⊙ 2A/48VDC
- ⊙ 1NO
- ⊙ The Front Shape:Flat Round
- ⊙ The crust material:Stainless Steel/  
Brass(Nikel Plated,Gold Plated)
- ⊙ IP Degree:IP65



701269 : Push Button Switch, 19mm, Flat head, gold plated

701270 : Push Button Switch, 19mm, Flat head, Stainless Steel

701268 & 1564914 : Push Button Switch, 19mm, Flat head, Nickel Plated

# Datasheet

Item no. 701262/701261/ 701263/ 701269/ 701268 & 1564914/ 701270/  
701285/ 701284/ 701286

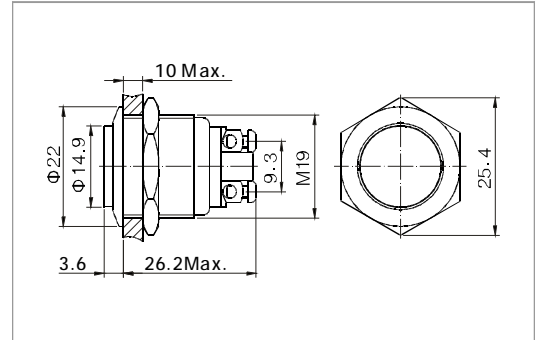
V1\_0617\_01\_en

## ANTI-VANDAL PUSHBUTTONS

### PUSH BUTTON SWITCH



- ⊙  $\Phi$  19mm diameter
- ⊙ 2A/48VDC
- ⊙ 1NO
- ⊙ The Front Shape:High Round
- ⊙ The crust material:Stainless Steel/  
Brass(Nikel Plated, Gold Plated)
- ⊙ IP Degree:IP65



701285 : Push Button Switch, 19mm, High Flat head, gold plated

701284 : Push Button Switch, 19mm, High flat head, nickel plated

701286 : Push Button Switch, 19mm, High Flat Head, Stainless Steel

Item no.	701262 Gold Plated/ 701261 Nickel Plated/ 701263 Stainless Steel	701269 Gold Plated/ 701268 & 1564914 Nickel Plated/ 701270 Stainless Steel	701285 Gold Plated/ 701284 Nickel Plated/ 701286 Stainless Steel
The Front Shape	Domed	Flat Round	High Round
Terminal Type	Screw Terminals	Screw Terminals	Screw Terminals
Switching	No.1	No.1	No.1
Max.Switch Rating	2A/48VDC	2A/48VDC	2A/48VDC
Contact Resistance	$\leq 50m\Omega$	$\leq 50m\Omega$	$\leq 50m\Omega$
Insulation Resistance	$\geq 1000M\Omega$	$\geq 1000M\Omega$	$\geq 1000M\Omega$
Dielectric Strength	2000VAC	2000VAC	2000VAC
Operation Temp.	-20°C ~ +70°C	-20°C ~ +70°C	-20°C ~ +70°C
Mechanical Life	1,000,000cycles	1,000,000cycles	1,000,000cycles
Electrical Life	200,000cycles	200,000cycles	200,000cycles
Contact Material	Silver Alloy	Silver Alloy	Silver Alloy
Panel Thickness	1 ~ 8mm	1 ~ 8mm	1 ~ 8mm
Torque	5 ~ 14Nm	5 ~ 14Nm	5 ~ 14Nm
Operation Temp.	5.5N	5.5N	5.5N
IP Degree	IP65	IP65	IP65
Material	Button	Stainless Steel/Brass(Nikel Plated,Gold Plated)	Stainless Steel/Brass(Nikel Plated,Gold Plated)
	Body	Stainless Steel/Brass(Nikel Plated,Gold Plated)	Stainless Steel/Brass(Nikel Plated,Gold Plated)
	Base	PBT	PBT
RoHS	Yes	Yes	Yes

Introduction of product model refer to P1

This is a publication by Conrad Electronic SE, Klaus-Conrad-Str. 1, D-92240 Hirschau (www.conrad.com).

All rights including translation reserved. Reproduction by any method, e.g. photocopy, microfilming, or the capture in electronic data processing systems require the prior written approval by the editor. Reprinting, also in part, is prohibited. This publication represents the technical status at the time of printing.

© Copyright 2017 by Conrad Electronic SE.