

# Datasheet

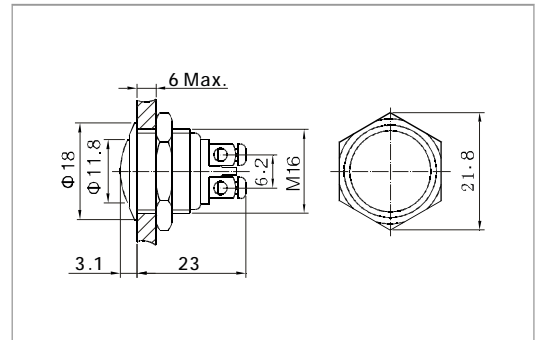
Item no. 701272/ 701271/ 701273 & 1566237/ 701275/ 701274/  
701280/ 701282/ 701281/ 1564915

V1\_0617\_01\_en

## PUSH BUTTON SWITCH



- ⊙  $\Phi$  16mm diameter
- ⊙ 2A/48VDC
- ⊙ 1NO
- ⊙ The Front Shape:Domed
- ⊙ The crust material:Stainless Steel/  
Brass(Nikel Plated, Gold Plated)
- ⊙ IP Degree:IP65

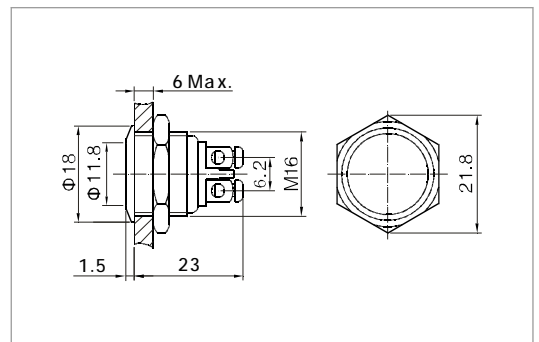


701272 : Push Button Switch, 16mm, Spheroid Head, Gold plated  
701271 : Push Button Switch, 16mm, Spheroid head, Nickel-plated  
701273 & 1566237 : Push Button Switch, 16mm, Spheroid head, Stainless steel

## PUSH BUTTON SWITCH



- ⊙  $\Phi$  16mm diameter
- ⊙ 2A/48VDC
- ⊙ 1NO
- ⊙ The Front Shape:Flat Round
- ⊙ The crust material:Stainless Steel/  
Brass(Nikel Plated, Gold Plated)
- ⊙ IP Degree:IP65

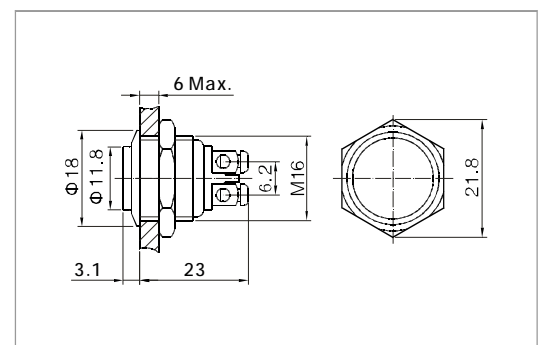


701275 : Push Button Switch, 16mm, Flat head, Gold Plated  
701274 : Push Button Switch, 16mm, Flat head, Nickel plated  
701280 : Push Button Switch, 16mm, Flat head, Stainless Steel

## PUSH BUTTON SWITCH



- ⊙  $\Phi$  16mm diameter
- ⊙ 2A/48VDC
- ⊙ 1NO
- ⊙ The Front Shape:High Round
- ⊙ The crust material:Stainless Steel/  
Brass(Nikel Plated,Gold Plated)
- ⊙ IP Degree:IP65



701282 : Push Button Switch, 16mm, High flat head, Gold plated  
701281 : Push Button Switch, 16mm, High Flat head, Nickel plated  
1564915 : Push Button Switch, 16mm, High flat round, Stainless Steel Crust

# Datasheet

Item no. 701272/ 701271/ 701273 & 1566237/ 701275/ 701274/  
701280/ 701282/ 701281/ 1564915

V1\_0617\_01\_en

Item no.	701272 701271 701273 & 1566237	701275 701274 701280	701282 701281 1564915
The Front Shape	Domed	Flat Round	High Round
Terminal Type	Screw Terminals	Screw Terminals	Screw Terminals
Switching	No.1	No.1	No.1
Max.Switch Rating	2A/48VDC	2A/48VDC	2A/48VDC
Contact Resistance	≤50mΩ	≤50mΩ	≤50mΩ
Insulation Resistance	≥1000MΩ	≥1000MΩ	≥1000MΩ
Dielectric Strength	2000VAC	2000VAC	2000VAC
Operation Temp.	-20°C ~ +70°C	-20°C ~ +70°C	-20°C ~ +70°C
Mechanical Life	1,000,000cycles	1,000,000cycles	1,000,000cycles
Electrical Life	200,000cycles	200,000cycles	200,000cycles
Contact Material	Silver Alloy	Silver Alloy	Silver Alloy
Panel Thickness	1 ~ 6mm	1 ~ 6mm	1 ~ 6mm
Torque	5 ~ 14Nm	5 ~ 14Nm	5 ~ 14Nm
Operation Temp.	5.5N	5.5N	5.5N
IP Degree	IP65	IP65	IP65
Material	Button	Stainless Steel/Brass(Nikel Plated,Gold Plated)	Stainless Steel/Brass(Nikel Plated,Gold Plated)
	Body	Stainless Steel/Brass(Nikel Plated,Gold Plated)	Stainless Steel/Brass(Nikel Plated,Gold Plated)
	Base	PBT	PBT
RoHS	Yes	Yes	Yes

This is a publication by Conrad Electronic SE, Klaus-Conrad-Str. 1, D-92240 Hirschau (www.conrad.com).

All rights including translation reserved. Reproduction by any method, e.g. photocopy, microfilming, or the capture in electronic data processing systems require the prior written approval by the editor. Reprinting, also in part, is prohibited. This publication represents the technical status at the time of printing.

© Copyright 2017 by Conrad Electronic SE.