

# Datasheet

Item no. 701292/ 701293/ 701294/ 701299/ 701301/ 701303/ 701295/ 701304

V1\_0717\_01\_en

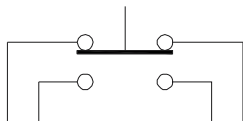
## TECHNICAL DESCRIPTION

### Lamp Ratings

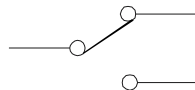
Lamp Type	LED		
	Rated Voltage	AC/DC6V	AC/DC12V
AC/DC110V		AC/DC220V	
Colours	<span style="background-color: red; color: white;">R</span>	<span style="background-color: green; color: white;">G</span>	<span style="background-color: yellow; color: black;">Y</span> <span style="background-color: orange; color: black;">O</span> <span style="background-color: cyan; color: black;">B</span> <span style="border: 1px solid black; padding: 0 2px;">W</span>
Life	About 40,000 hours		

Note: There are protective resistor in the lamp, special voltage rate can be made to order.

### Switching Operation



NO.2



NO.3

### Soldering information

- Handiwork solding: Soldering iron 30W or under at 230°C for 3 sec max.

# Datasheet

Item no. 701292/ 701293/ 701294/ 701299/ 701301/ 701303/ 701295/ 701304

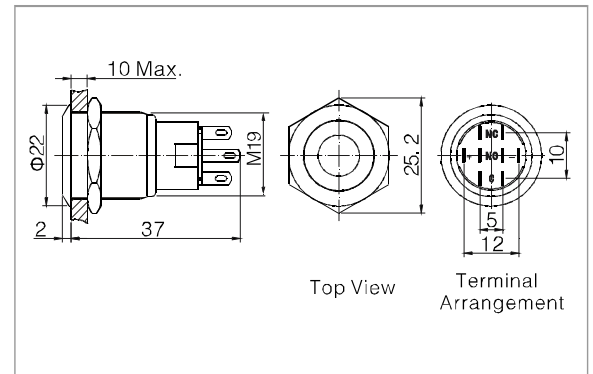
V1\_0717\_01\_en

## METAL PUSHBUTTONS

### DOT ILLUMINATED PUSHBUTTON



- ⊙  $\Phi$  19mm diameter
- ⊙ 5A, 250VAC
- ⊙ 1NO1NC/2NO2NC
- ⊙ The Front Shape: Flat Round
- ⊙ The crust material: Stainless Steel
- ⊙ Dot Illuminated
- ⊙ IP Degree: IP67



- 701292 : Push Button Switch, Dot, Momentary, 1NO1NC, Red, 12V
- 701293 : Push Button Switch, Dot, Momentary, 1NO1NC, 12V, Green
- 701294 : Push Button Switch, Dot, Momentary, 1NO1NC, 12V, Blue
- 701299 : Push Button Switch, Dot, Alternate, 1NO1NC, 12V, Red
- 701301 : Push Button Switch, Dot, Alternate, 1NO1NC, 12V, Green
- 701303 : Push Button Switch, Dot, Alternate, 1NO1NC, 12V, Blue
- 701295 : Push Button Switch, Dot, Momentary, 2NO2NC, 12V, Red
- 701304 : Push Button Switch, Dot, Alternate, 2NO2NC, 12V, Red

# Datasheet

Item no. 701292/ 701293/ 701294/ 701299/ 701301/ 701303/ 701295/ 701304

V1\_0717\_01\_en

## METAL PUSHBUTTONS

Specification	701292	701293	701294
The Front Shape	Flat Round		
Terminations	Soldering(Pin Terminal)/2.8mm tabs		
Switching	NO.3		
Max. Switch Rating	5A/250VAC		
Contact Resistance	≤ 50mΩ		
Insulation Resistance	≥ 1000MΩ		
Dielectric Strength	2000VAC		
Operating Temp.	- 20°C ~ + 70°C		
Mechanical life	1,000,000 cycles		
Electrical life	50,000 cycles		
Contact material	Silver Alloy		
Panel Thickness	1 ~ 10mm		
Torque	5 ~ 14Nm		
Operation Pressure	5.5N		
IP Degree	IP67		
Material	Button	Stainless Steel	
	Body	Stainless Steel	
	Base	PBT	
RoHS	Yes		
LED Spec.	Type	Dot Illuminated(LED)	
	Rated Voltage	6V / 12V / 24V / 110V / 220V	
	Color	<span style="color: red;">R</span> <span style="color: green;">G</span> <span style="color: yellow;">Y</span> <span style="color: orange;">O</span> <span style="color: cyan;">B</span> <span style="border: 1px solid black; padding: 0 2px;">W</span>	
	Life	40,000 hours	

This is a publication by Conrad Electronic SE, Klaus-Conrad-Str. 1, D-92240 Hirschau (www.conrad.com).

All rights including translation reserved. Reproduction by any method, e.g. photocopy, microfilming, or the capture in electronic data processing systems require the prior written approval by the editor. Reprinting, also in part, is prohibited. This publication represents the technical status at the time of printing.

© Copyright 2017 by Conrad Electronic SE.