

CH Products

IP Desktop USB Joystick



The **IP Desktop USB** joystick is designed to provide PC applications with responsive and accurate positioning controls. Featuring a three axis Hall effect joystick, twelve programmable switches and USB interface, the IP Desktop seamlessly integrates with software applications recognizing joystick inputs via Microsoft's DirectX.

Technical Specifications

Three axis, two button Hall effect joystick
Desktop housing features ten programmable buttons
USB interface
Optional joystick/mouse combination device software driver

Mechanical

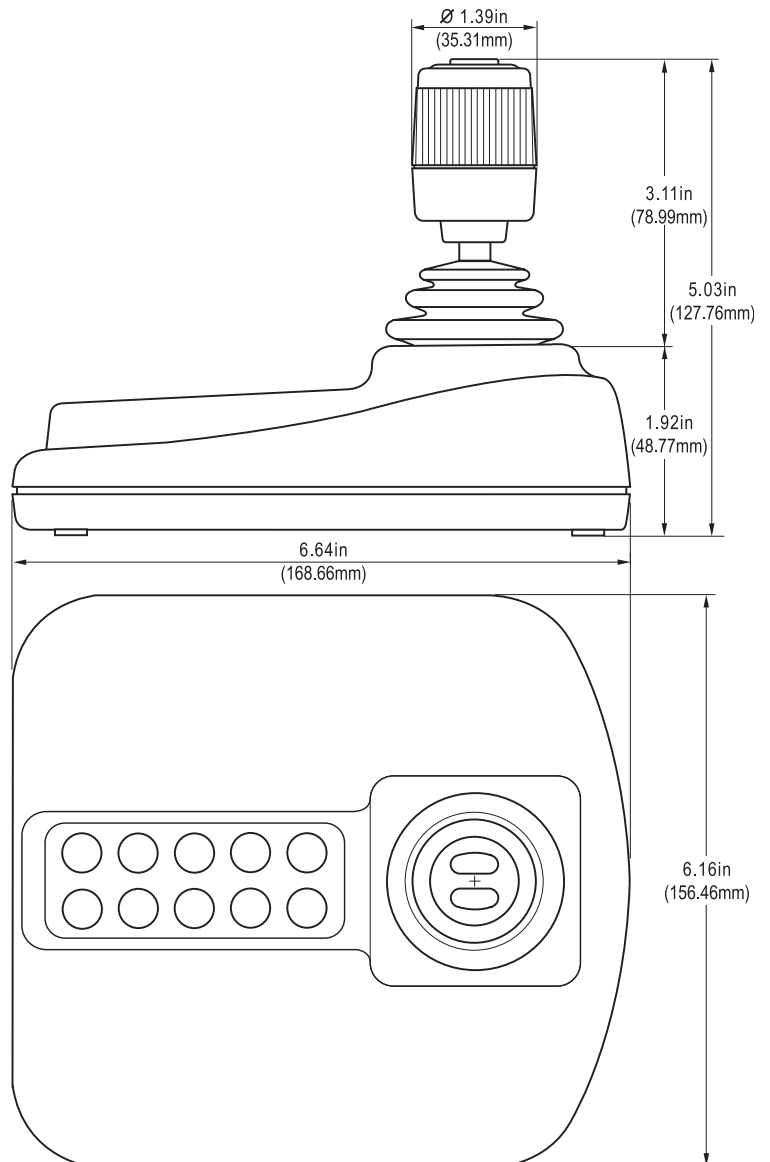
Breakout Force: 0.109Nm
Operating Force: 0.151Nm
Maximum Force: 0.169Nm
Joystick Travel: 36° (18° from center)
Expected Life (operations): 3,000,000

Environmental

Operating Temperature: -40°C to +80°C

Electrical

Supply Voltage (USB bus): $V_{dd} = 5V \pm 0.5V$
Supply Current (USB bus): 32mA



CH Products

CH IP Desktop Software

IP Desktop Software is an **optional** utility that creates a joystick/mouse combination device and allows users to toggle between both devices with the press of a button. In addition to dual joystick/mouse functionality, IP Desktop Software creates an additional fourth joystick axis, "R." The IP Desktop Software is designed to work with the IP Desktop joystick in a Windows based operating system only.

Software Driver Features

Creates a joystick/mouse combination device

Creates a fourth "R" axis

Assigns functions to buttons 1 and 2:

Button 1 – Toggles between "Z" and "R" axes

Button 2 – Toggles between "Joystick" and "Mouse" modes

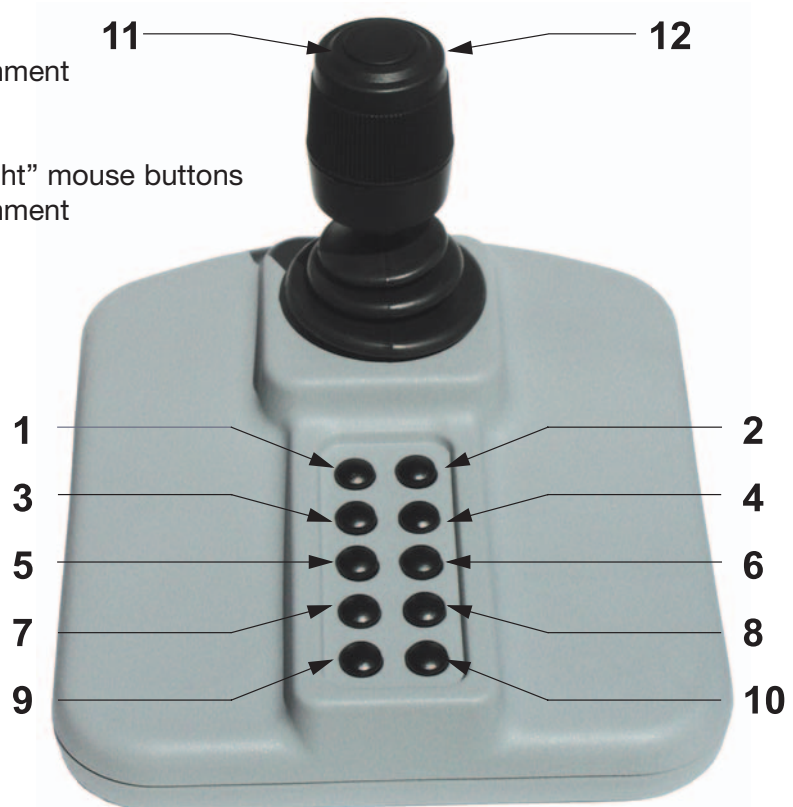
Joystick mode:

Buttons 3-12 remain available for assignment

Mouse mode:

Buttons 11-12 represent "Left" and "Right" mouse buttons

Buttons 3-10 remain available for assignment



CH Products
970 Park Center Drive
Vista, CA 92081

Telephone (760) 598-2518
Fax (760) 598-2524
Email oemsales@chproducts.com
Web Site www.chproducts.com

All specifications are subject to change without notice.