



SPECIFICATIONS

• CONSTRUCTION

Sealed pushbutton switch for panel mounting.
Solder lugs terminals.

• MATERIALS

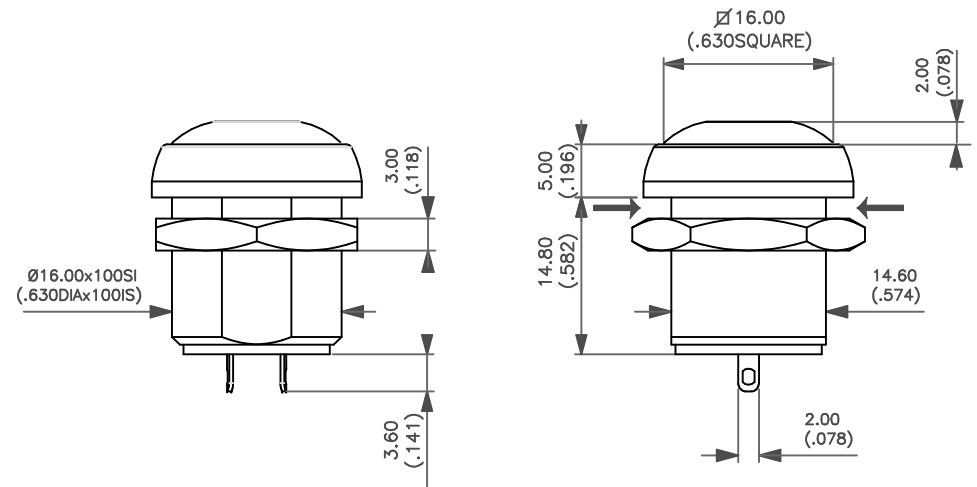
Case : Pa6T UL94V0
Plunger : Polyamide 6/6
Bushing/Collar : Polyamide 6/6
Contacts : Silver, gold plated

• ELECTRICAL CHARACTERISTICS

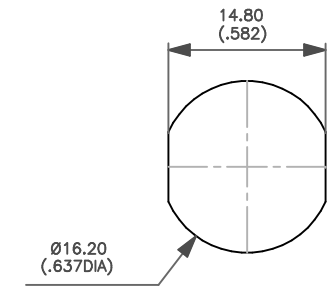
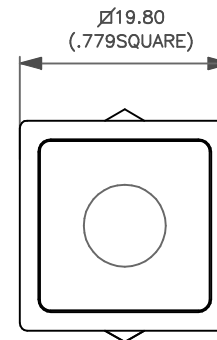
Electrical function : Normally open (NO)
Maximum ratings : 200mA 48VDC
Electrical life : 500 000 cycles minimum
Contact resistance : 100 milliohms Max
Insulation resistance: 1 Gigaohms min - 500 VDC
Dielectric strength : 1500 VAC rms 50Hz between terminals
Mechanical life : 1.000.000 cycles

• MECHANICAL AND ENVIRONMENTAL CHARACTERISTICS

Degree of protection : IP67 according to IEC 529
Temperature range : -40°C to +85°C



Epaisseur de panneau : 9.00 (.354) Max.
Panel thickness: 9.00 (.354) Max.



↓ Méplat
Flat

Replace the blank digit with the following color code

Code	1	2	3	4	5	6	7/1	8	9
Plunger Colour	Blue	Black	Green	Grey	Yellow	Red	White	Bright Chrome	Orange

			MATERIAL: /	 APEM Unité INTERRUPTEURS 55,av. E.HERRIOT BP 1 82303 CAUSSADE CEDEX Tél.05.63.93.14.98 - Télécopie.05.63.93.19.03	DRAWN: F.Ricard
			TREATMENT: /		DATE : 28-01-2011
			FINISH: /		CHECKED: D.Sire
			Scale: 2		Reference: DIR047S
			SQUARE PUSHBUTTON SWITCH IRC3S4-2		
Issue	Modifications	Date	Name		