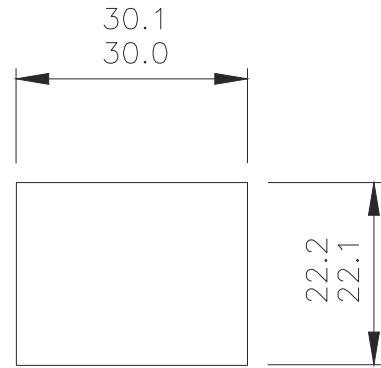
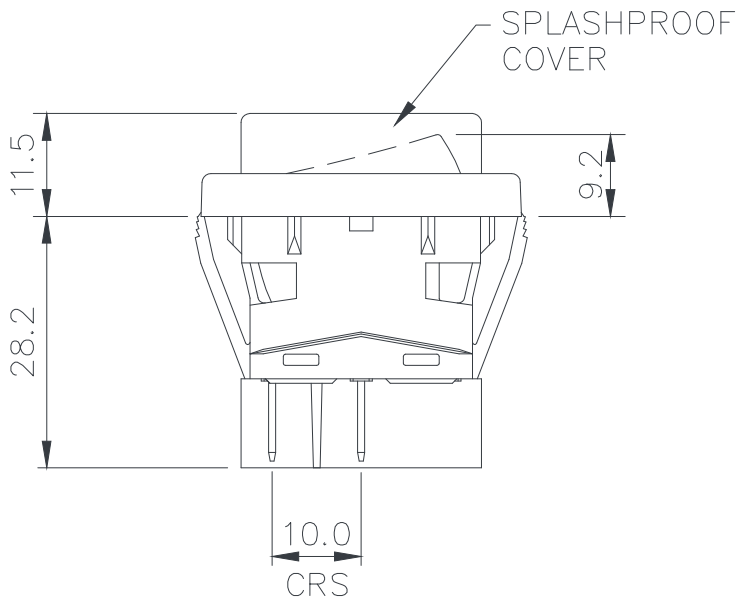


Bezel

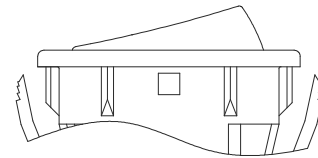


Panel thickness 0.7 to 3.0 mm

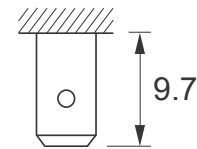
Cut-Out



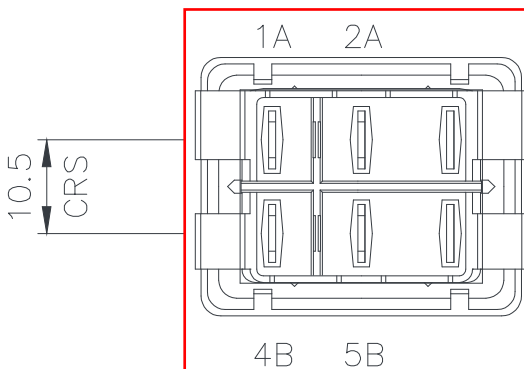
Side profile



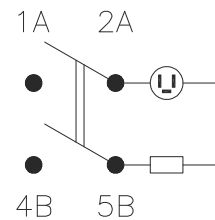
Rocker profile



6.3 x 0.8
Terminal style



Terminal Identification



Circuit Identification

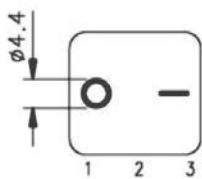
Dimensions just for reference, not for quality inspection.

Prepared / updated by:	Bill Peng	Approved by Production Engineering:	NA	Issue No
Approved by R & D:	Robert Zhou	Approved by Approval Engineer:	NA	01

MATERIALS

Component	Material	Colour	Marking	Flammability Rating
Body	Nylon 66	Black	See below	UL94-V2
Rocker	Ploycarbonate	Green	See below	UL94-V2
Terminals	Copper Alloy Silver-plated			
Contacts	Silver Alloy			

ROCKER MARKING

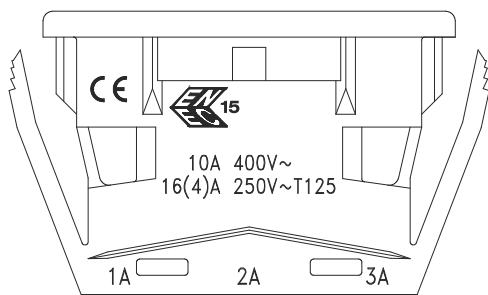


0.5 LINE

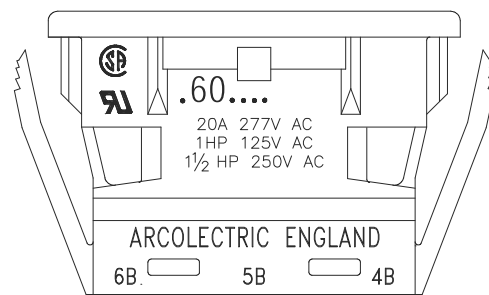
EN1197

Legend print White

BODY MARKING



View A



View B

The exact format of the marking may vary from the picture shown.

APPROVALS/RATINGS

Approval Body	Specification	Certificate No.	Rating
	EN61058-1	148131-01	16(4)A 250Vac 1E4 T125 10A 400Vac 1E4 T125
	UL 1054	E45221	20A 277Vac
	&	&	1 1/2hp 250Vac
	C22.2	LR10990	1hp 125Vac
	Compliant		

Prepared / updated by:	Bill Peng	Approved by Production Engineering:	NA	Issue No
Approved by R & D:	Robert Zhou	Approved by Approval Engineer:	NA	01