



SPECIFICATIONS

• **CONSTRUCTION**

Sealed pushbutton switch. Rear mounting for easier installation, variable panel thickness.

• **MATERIALS**

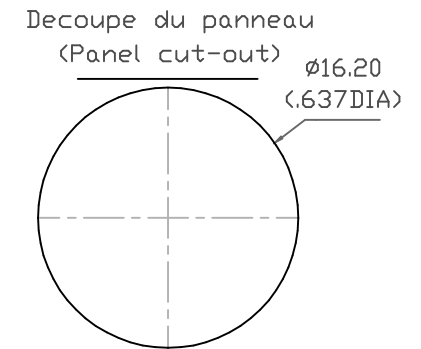
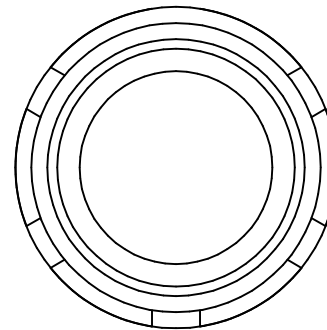
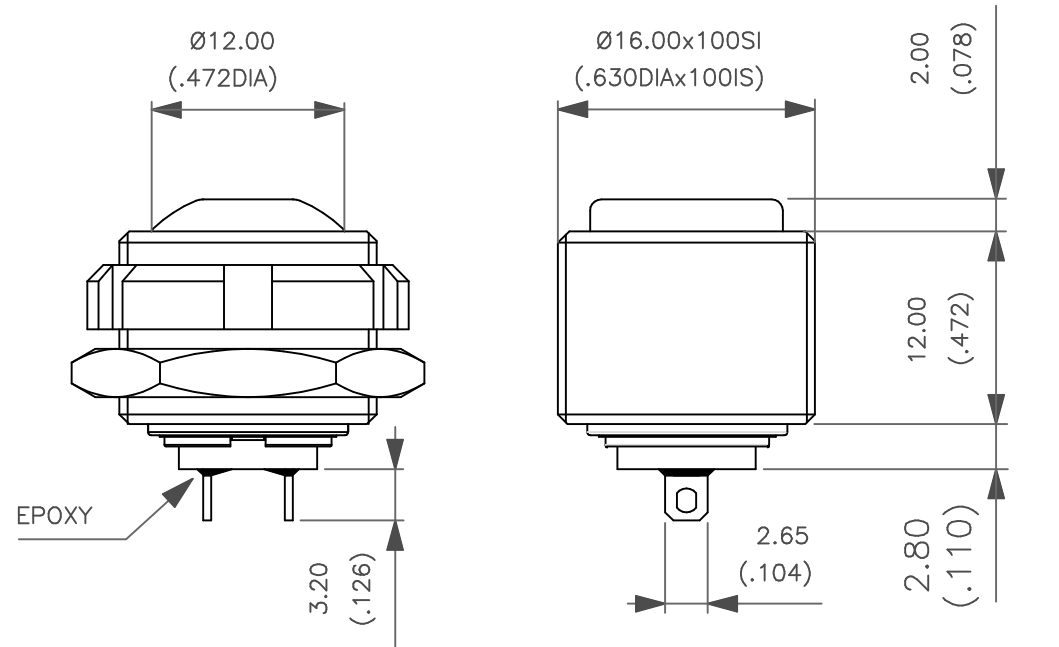
Case : PBT , UL94-V0
 Plunger : Polyamide 6/6
 Bushing/Collar : Brass, nickel plated
 Contacts : Silver, gold plated

• **ELECTRICAL CHARACTERISTICS**

Electrical function : Normally open (NO)
 Maximum ratings : 200mA 48VDC – 200mA 250VAC
 Electrical life : 500 000 cycles minimum
 Contact resistance : 100 milliohms Max
 Insulation resistance: 1 Gigaohms min - 500 VDC
 Dielectric strength : 1000 VAC rms 50Hz

• **MECHANICAL AND ENVIRONMENTAL CHARACTERISTICS**

Total travel : 1.8±0.3mm
 Degree of protection : IP65
 Robustness : IK06 according to EN 50102 (1 joule)
 Temperature range : -40°C to +85°C
 Panel thickness : 3mm



Replace the blank digit with the following color code

Code	1	2	3	4	5	6	7/1	8	9
Plunger Colour	Blue	Black	Green	Grey	Yellow	Red	White	Bright Chrome	Orange

MATERIAL:	 APEM Unité INTERRUPTEURS 55,av E.HERRIOT BP 1 82303 CAUSSADE CEDEX Tél:05.63.93.14.98 - Télécopie:05.63.93.19.03	DRAWN: F.Ricard		
TREATMENT:		DATE : 28-01-2011		
FINISH:		CHECKED: D.Sire		
Scale: 3		Reference: DIP029S		
Issue	Modifications	Date	Name	Code Nbr.:

PUSHBUTTON SWITCH
IZMR3S4_N