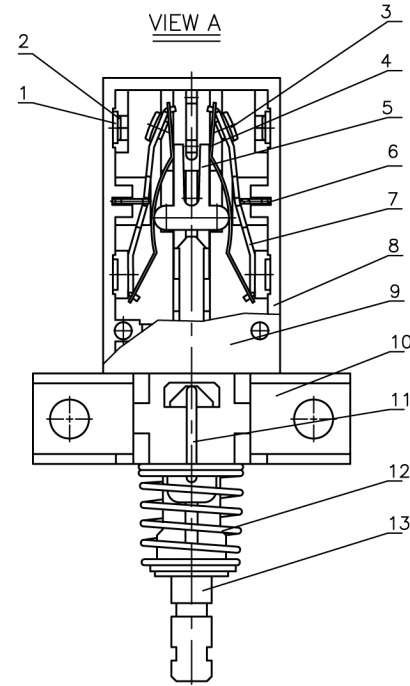
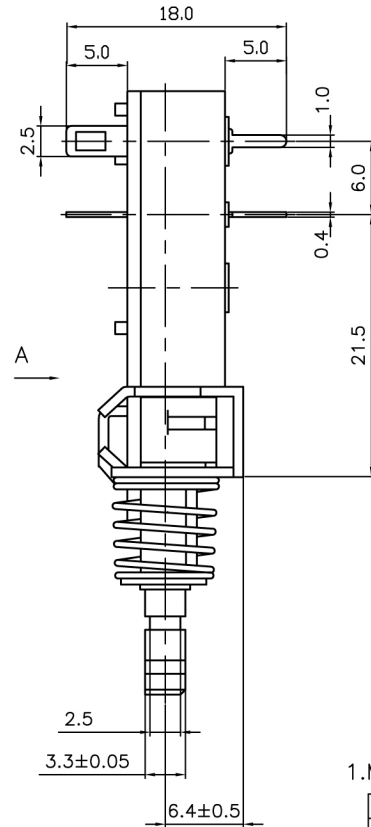
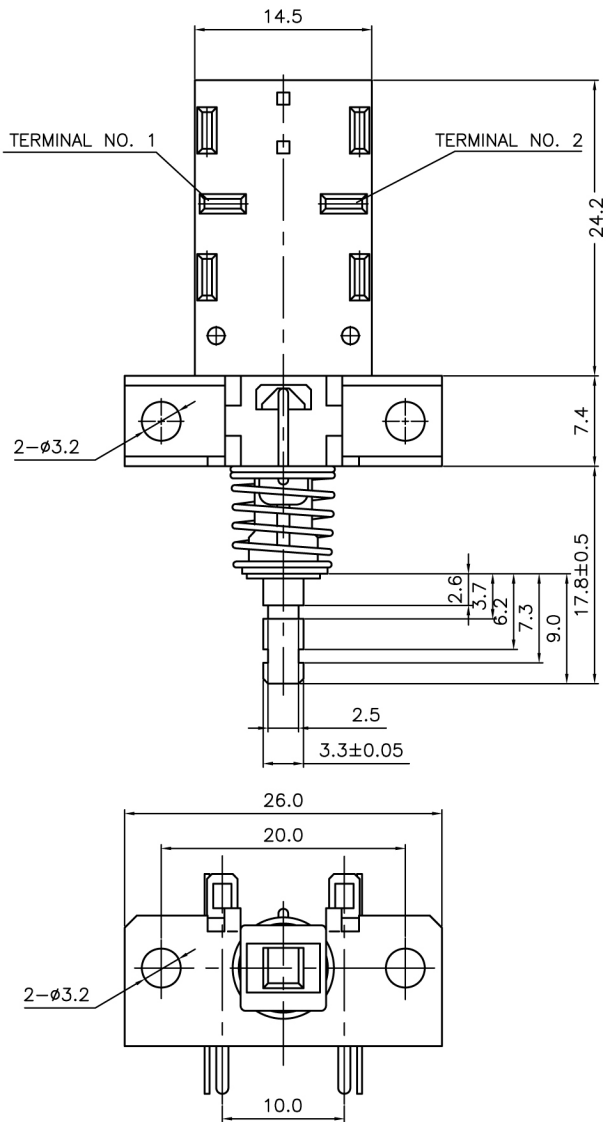
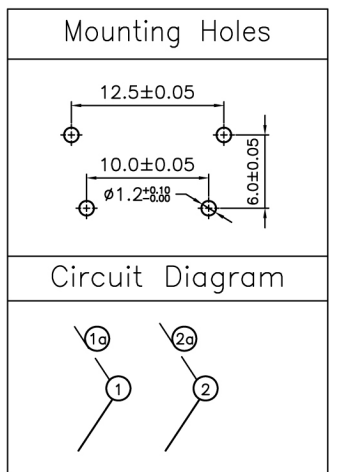


OUTLINE



XX.XX	INSPECTION DIMENSION
XX.XX	BASIC DIMENSION
SYMBOL	DESCRIPTIONS



Specifications
1. Mechanical Characteristics:

Item	Criteria
Operating Force	560±150 gf
Pre Travel	3.0±0.5mm
Overall Travel	4.5±0.5mm

14	PRINT NO.: (White)	F034-YY-02
13	Plunger	
12	Spring	
11	LOCK	
10	FRAME	
9	COVER	
8	BASE	
7	ELASTIC PLATE	
6	MIDDLE TERMINAL	
5	MOVABLE PLUNGER	
4	MOVABLE PLATE	
3	MOVABLE PLATE CONTACT	
2	TERMINAL CONTACT	
1	TERMINAL	
NO.	NAME	REMARK

2. Electrical Characteristics:

Ratings:	6A 125/250VAC (UL cUL), 6(2)A 125/250VAC (VDE)
Insulation Resistance:	100MΩ Min.
PTI	PTI=250V
Operating Life :	6000 cycles with load 6A 125/250VAC (UL cUL)
	10000 cycles with load 6(2) 125/250VAC (VDE)
Dielectric Voltage	1500VAC -applied between live parts of opposite polarity -applied between live parts and dead metal parts

REV.	DATE	MODIFICATION	ECN NO.	REVISOR
Description	Shape and fixing drawing		General Tolerance (Unless Otherwise Specified)	
Model No.	PWL-2P1TL-6SASHA	Finishing	XXX	~3 >3~10 >10~30 >30~80 >80~180 >180~315 >315~500 Angle
Part No.	F034-0082	Weight	XXg	±0.20 ±0.30 ±0.40 ±0.60 ±0.80 ±1.00 ±1.20 ±3°
Project Code		Quantity	1	Version B Scale: &scale Unit: mm Size: A4
Designed By	lixiaojiang	Date	06.06.02	THIRD ANGLE
Checked By	yangshiyang	Date	06.06.02	
Approved By	mikeshen	Date	06.06.02	