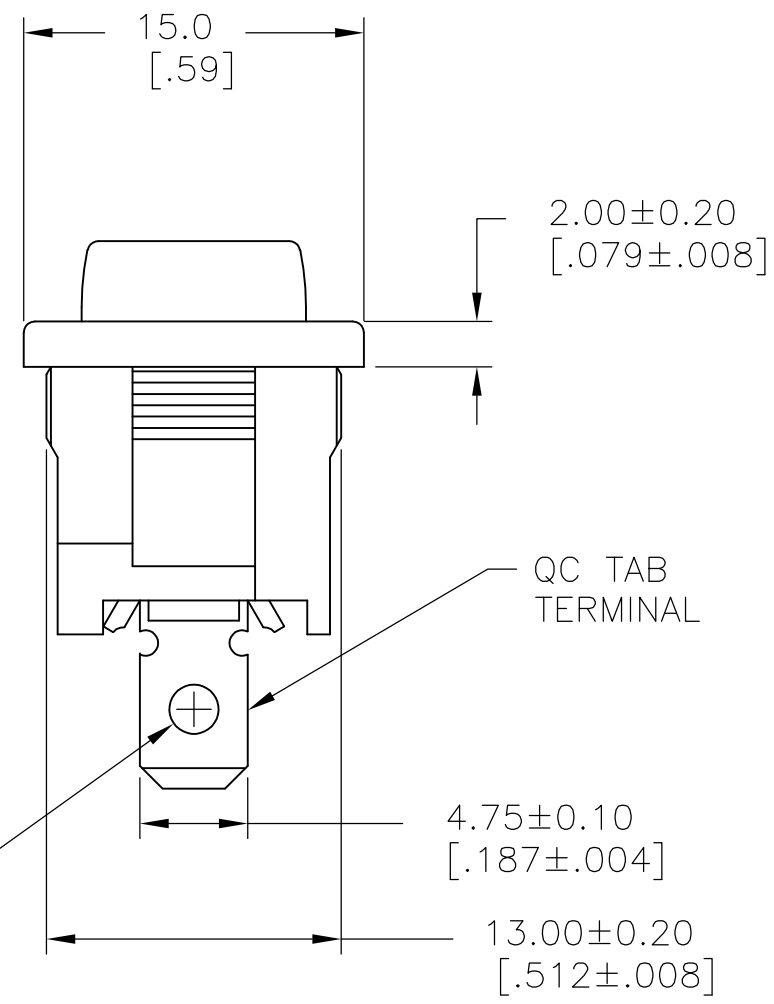
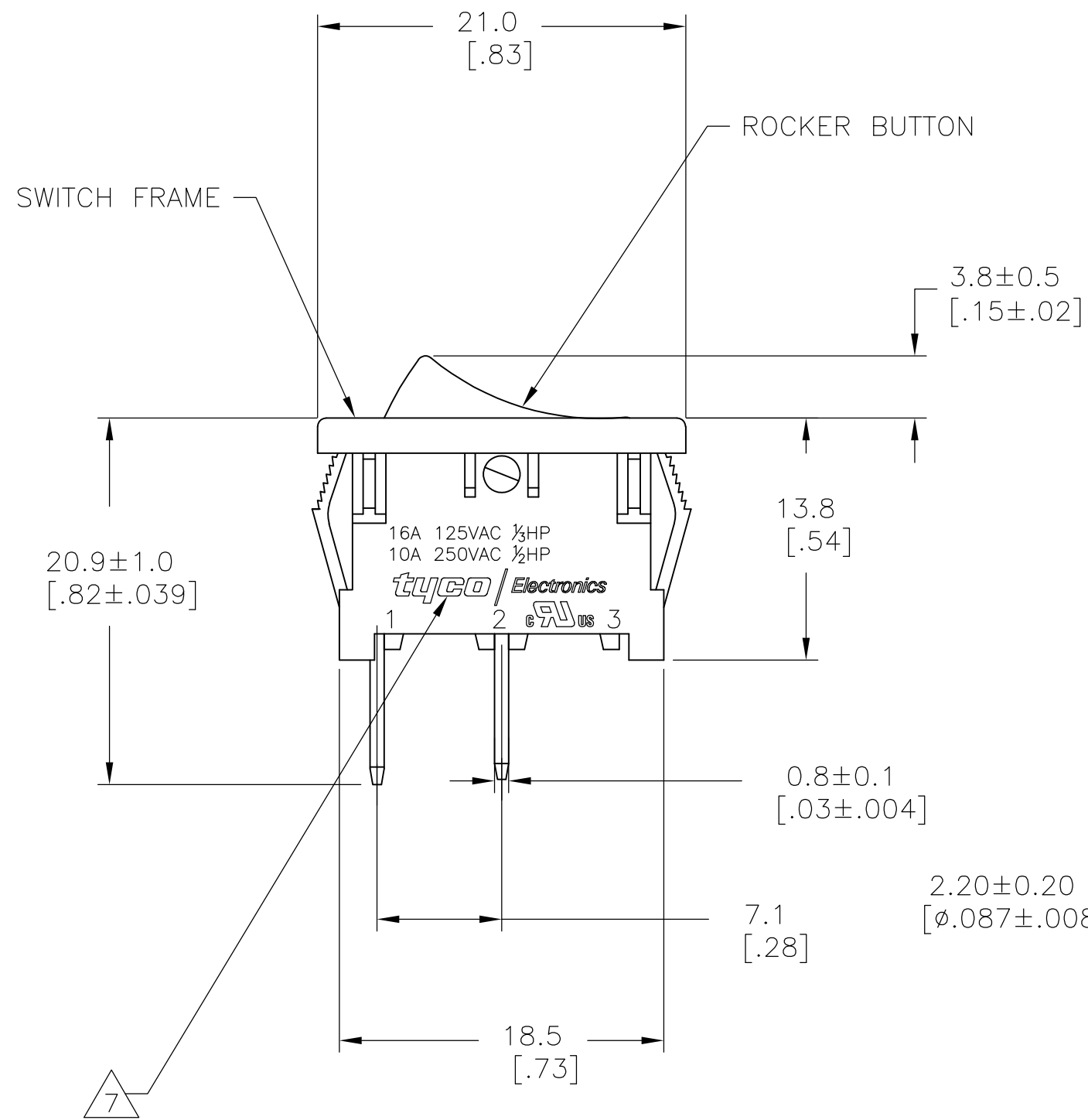
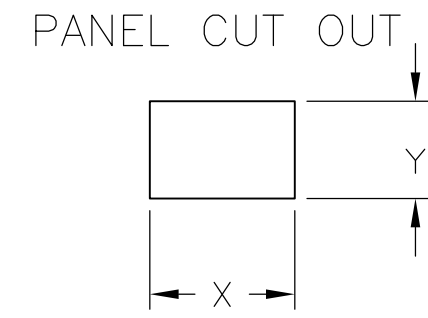
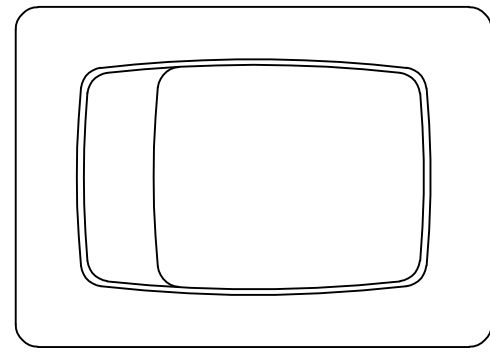
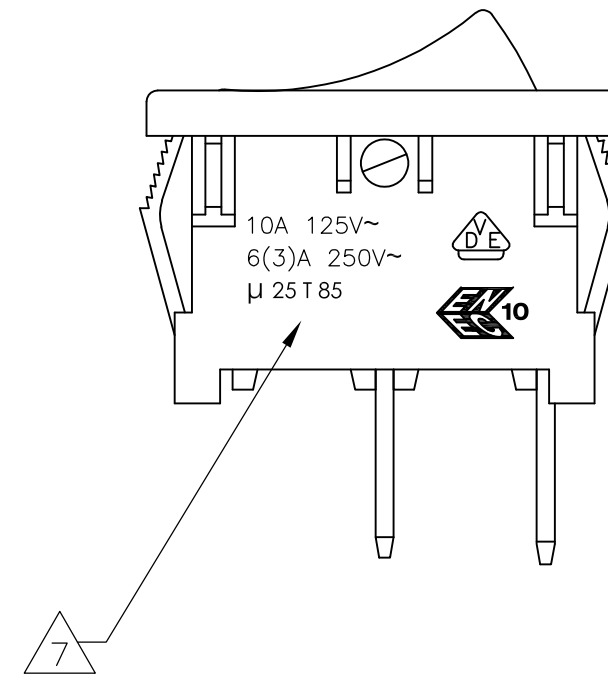


THIS DRAWING IS UNPUBLISHED. RELEASED FOR PUBLICATION
 © COPYRIGHT BY TYCO ELECTRONICS CORPORATION. ALL RIGHTS RESERVED.

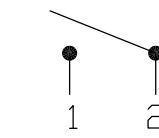
LOC	DIST	REVISIONS			
P	LTR	DESCRIPTION	DATE	DWN	APVD
J1		ECO-07-029100	21DEC2007	RB	DR



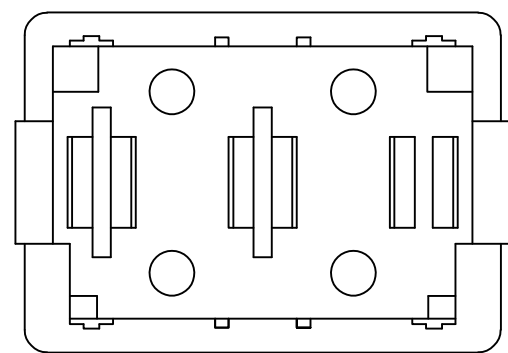
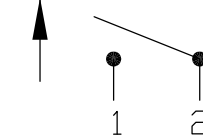
2.00-3.00 [.079-.118]	19.8-0.1 [.780-.004]	13.0+0.1 [.512+.004]
1.25-2.00 [.049-.079]	19.4-0.1 [.764-.004]	13.0+0.1 [.512+.004]
0.75-1.25 [.030-.049]	19.2-0.1 [.756-.004]	13.0+0.1 [.512+.004]
PANEL THICKNESS	X	Y



SWITCH FUNCTION A1
CIRCUIT DIAGRAM



SWITCH FUNCTION A3
CIRCUIT DIAGRAM

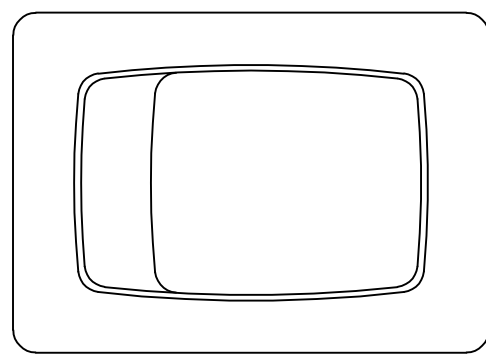


1571076-9 SHOWN

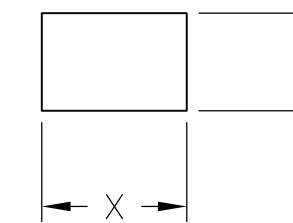
THIS DRAWING IS A CONTROLLED DOCUMENT.		DWN M.BINNER	25FEB2002	Tyco Electronics Corporation Harrisburg, PA 17057	
DIMENSIONS: MM		CHK J.MOSIER	APVD -	NAME POWER ROCKER SWITCH, 13.0mm X 19.2mm PANEL CUT-OUT SIZE, SINGLE POLE, SINGLE THROW, TWO TERMINALS, NON-ILLUMINATED	
TOLERANCES UNLESS OTHERWISE SPECIFIED:		PRODUCT SPEC NOT APPLICABLE		SIZE A2	
0 PLC ± -		APPLICATION SPEC NOT APPLICABLE		CAGE CODE 00779	
1 PLC ± 0.30 [.012]		WEIGHT -		DRAWING NO C=1571076	
2 PLC ± 0.05 [.002]		CUSTOMER DRAWING		RESTRICTED TO -	
3 PLC ± -		SCALE 3:1		SHEET 1 OF 4	
4 PLC ± -		REV J1			
ANGLES ± -					
FINISH					

THIS DRAWING IS UNPUBLISHED. RELEASED FOR PUBLICATION
 © COPYRIGHT BY TYCO ELECTRONICS CORPORATION. ALL RIGHTS RESERVED.

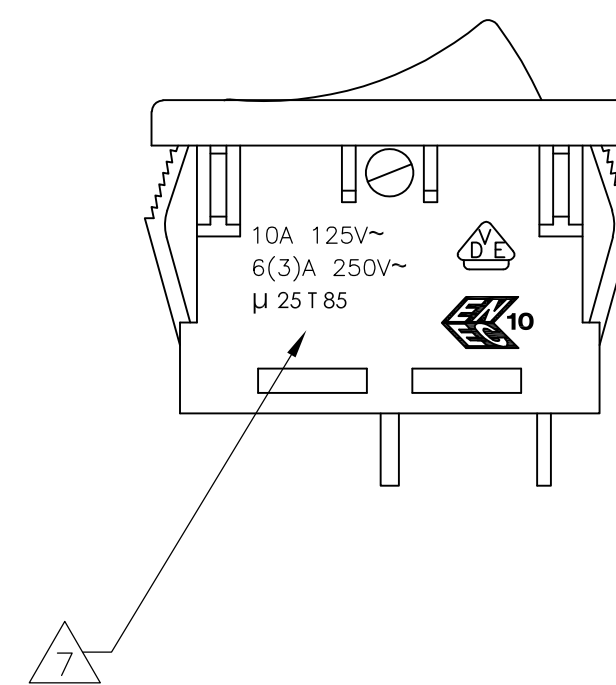
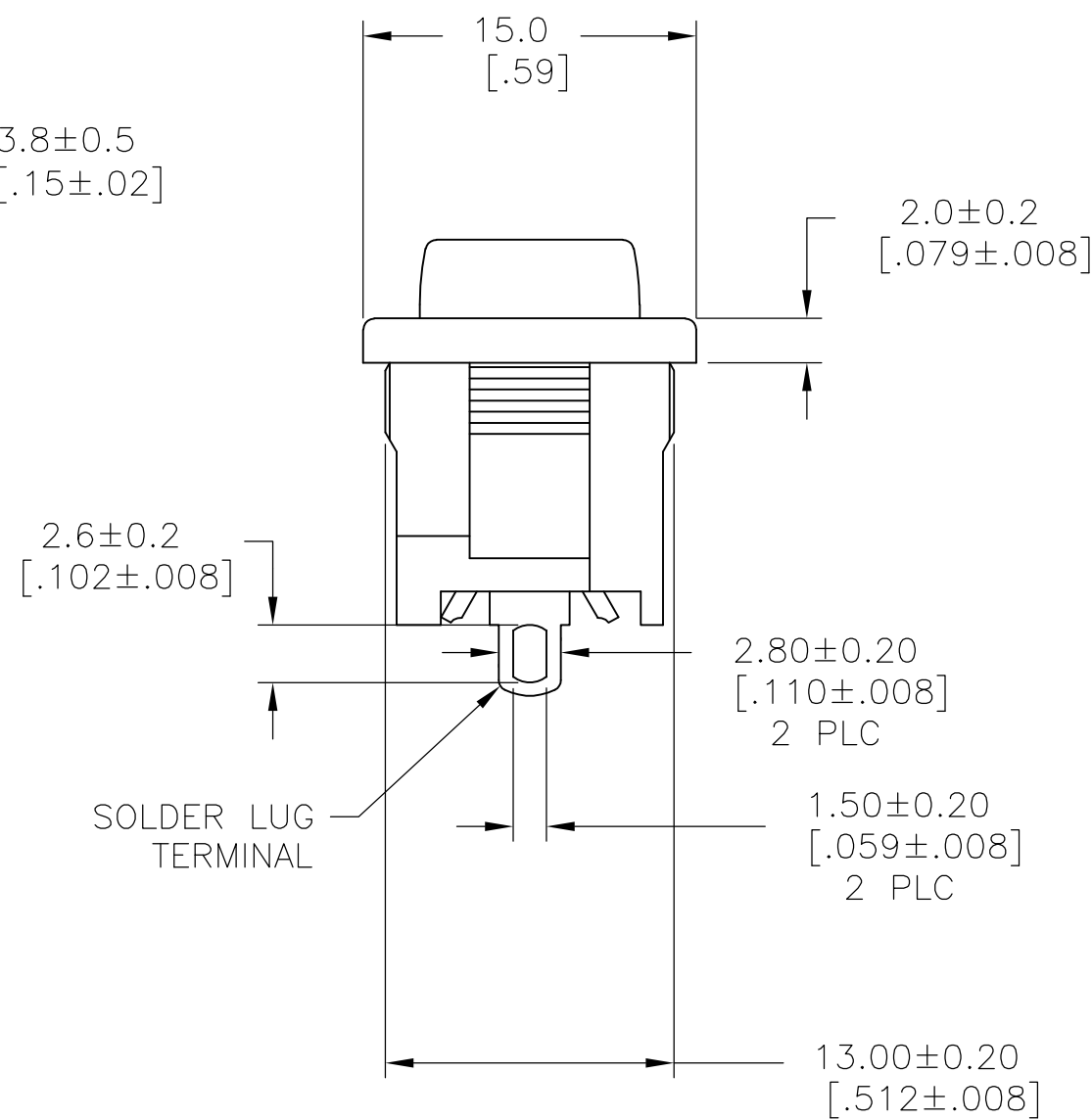
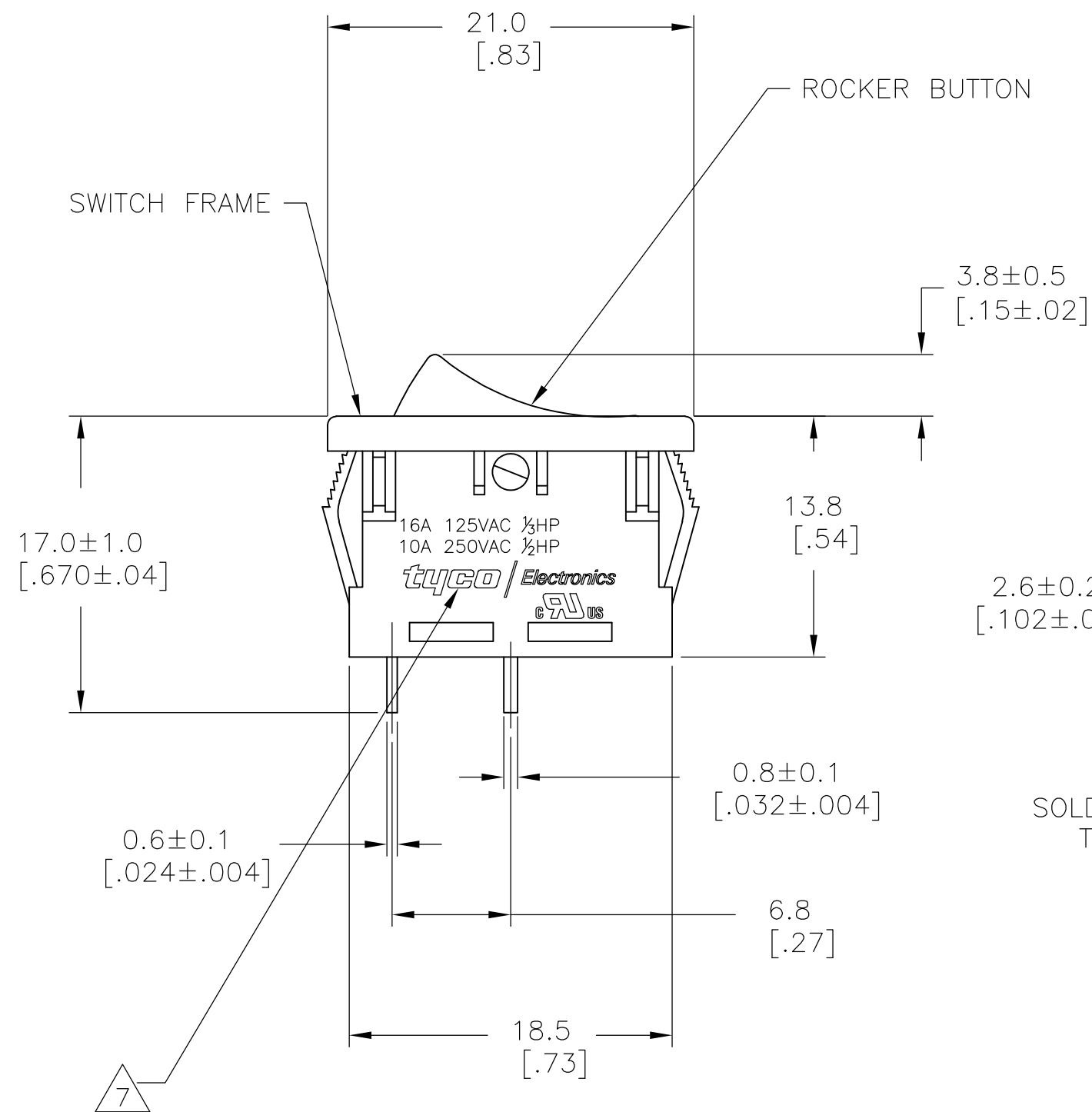
LOC	DIST	REVISIONS			
P	LTR	DESCRIPTION	DATE	DWN	APVD
AD	00	SEE SHEET 1	-	-	-



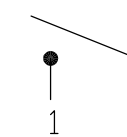
PANEL CUT OUT



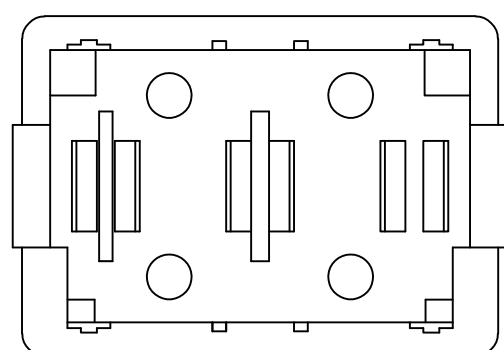
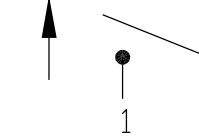
2.00-3.00 [.079-.118]	19.8-0.1 [.780-.004]	13.0+0.1 [.512+.004]
1.25-2.00 [.049-.079]	19.4-0.1 [.764-.004]	13.0+0.1 [.512+.004]
0.75-1.25 [.030-.049]	19.2-0.1 [.756-.004]	13.0+0.1 [.512+.004]
PANEL THICKNESS	X	Y



SWITCH FUNCTION A1
CIRCUIT DIAGRAM



SWITCH FUNCTION A3
CIRCUIT DIAGRAM

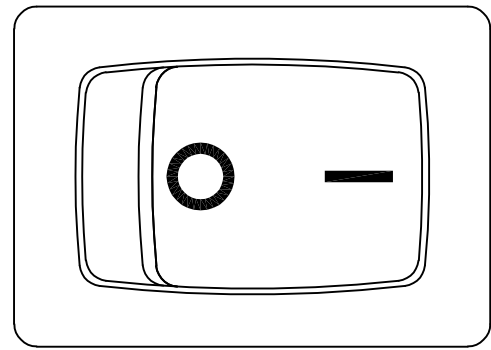


1-1571076-2 SHOWN

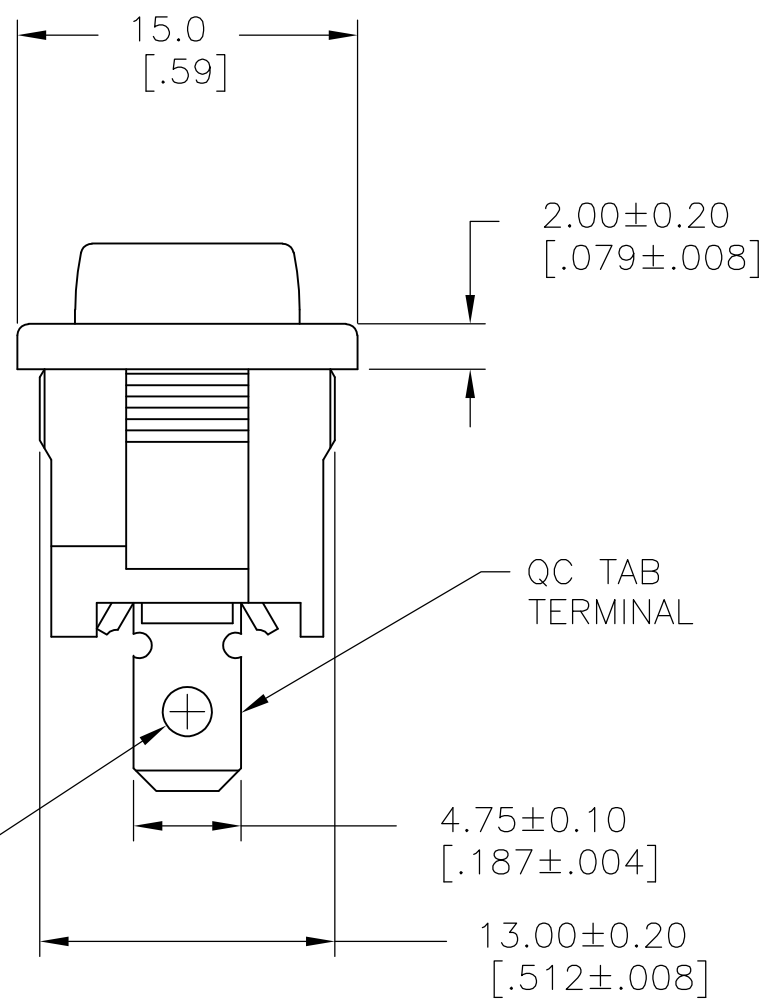
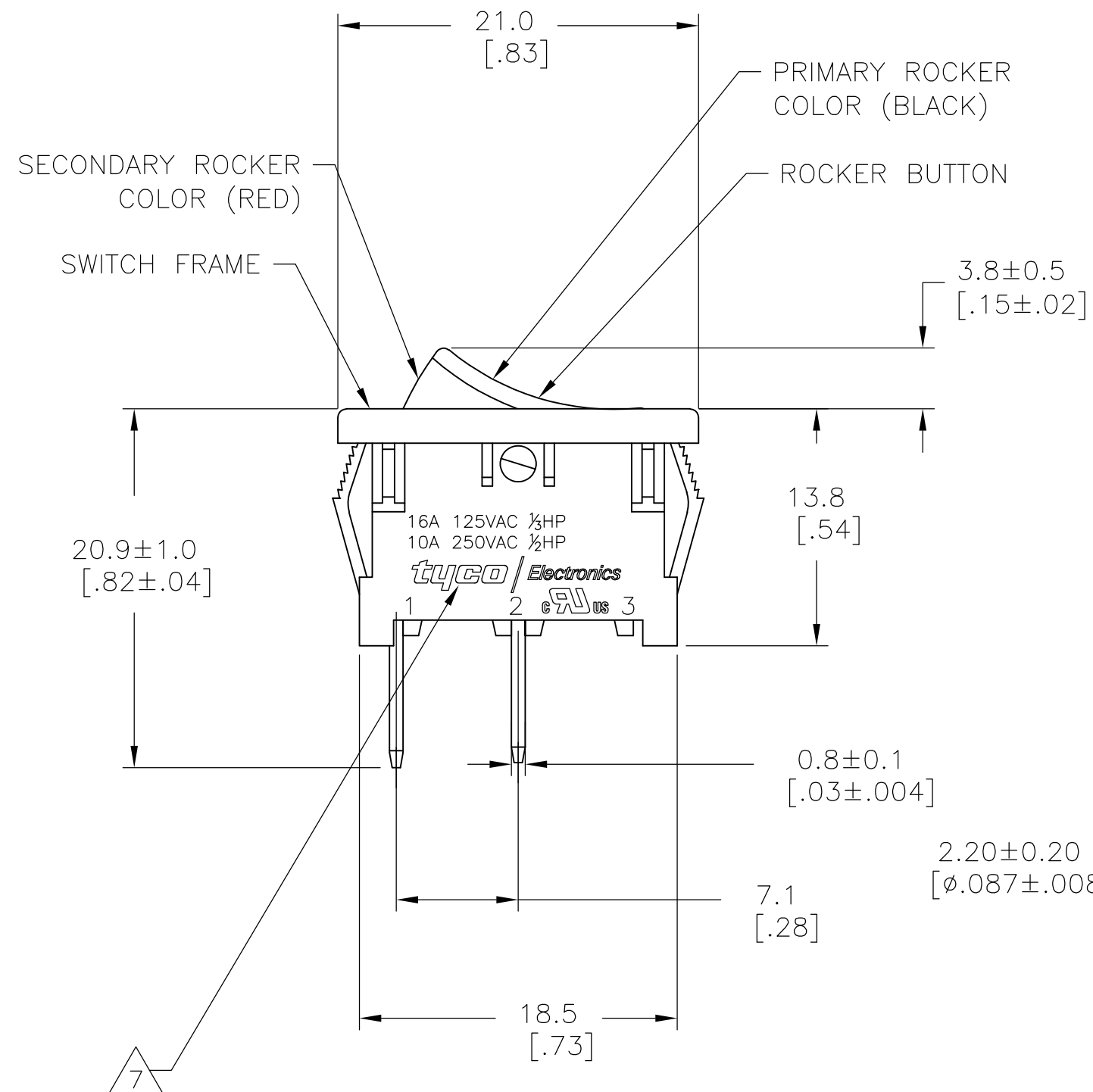
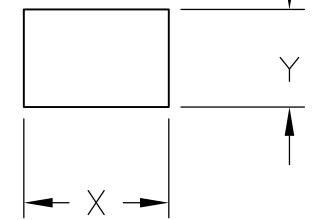
THIS DRAWING IS A CONTROLLED DOCUMENT.		DWN M.BINNER	25FEB2002	Tyco Electronics Corporation Harrisburg, PA 17057	
DIMENSIONS: MM		CHK J.MOSIER	APVD -	NAME POWER ROCKER SWITCH, 13.0mm X 19.2mm PANEL CUT-OUT SIZE, SINGLE POLE, SINGLE THROW, TWO TERMINALS, NON-ILLUMINATED	
TOLERANCES UNLESS OTHERWISE SPECIFIED:		PRODUCT SPEC NOT APPLICABLE		SIZE A2	CAGE CODE 00779
0 PLC ± -		APPLICATION SPEC NOT APPLICABLE		DRAWING NO C=1571076	RESTRICTED TO -
1 PLC ± 0.30 [.012]		WEIGHT -		SCALE 3:1	
2 PLC ± 0.05 [.002]		MATERIAL 1		SHEET 2 OF 4	
3 PLC ± -		FINISH 2		REV J1	
4 PLC ± -		CUSTOMER DRAWING			
ANGLES ± -					
FINISH ± -					

THIS DRAWING IS UNPUBLISHED. RELEASED FOR PUBLICATION
 © COPYRIGHT BY TYCO ELECTRONICS CORPORATION. ALL RIGHTS RESERVED.

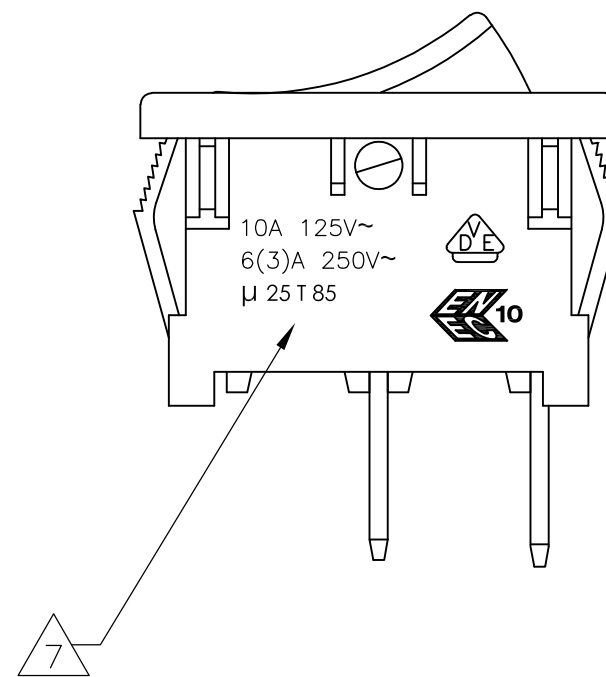
LOC	DIST	REVISIONS			
P	LTR	DESCRIPTION	DATE	DWN	APVD
AD	00	SEE SHEET 1	-	-	-



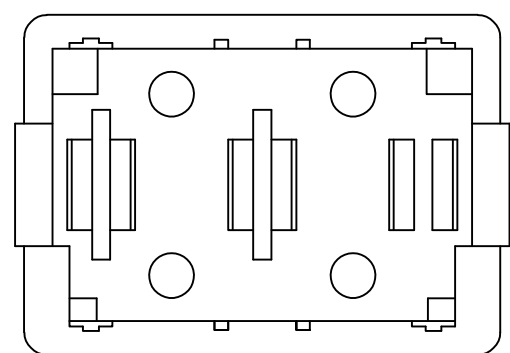
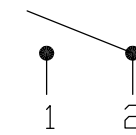
PANEL CUT OUT



2.00-3.00 [.079-.118]	19.8-0.1 [.780-.004]	13.0+0.1 [.512+.004]
1.25-2.00 [.049-.079]	19.4-0.1 [.764-.004]	13.0+0.1 [.512+.004]
0.75-1.25 [.030-.049]	19.2-0.1 [.756-.004]	13.0+0.1 [.512+.004]
PANEL THICKNESS	X	Y



SWITCH FUNCTION A2
CIRCUIT DIAGRAM



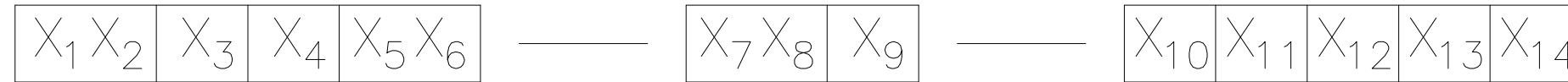
6-1571076-7 SHOWN
(WITH DUAL COLOR ROCKER BUTTON)

THIS DRAWING IS A CONTROLLED DOCUMENT.		DWN M.BINNER	25FEB2002	Tyco Electronics Corporation Harrisburg, PA 17057	
DIMENSIONS: MM		CHK J.MOSIER	APVD -	NAME POWER ROCKER SWITCH, 13.0mm X 19.2mm PANEL CUT-OUT SIZE, SINGLE POLE, SINGLE THROW, TWO TERMINALS, NON-ILLUMINATED	
TOLERANCES UNLESS OTHERWISE SPECIFIED:		PRODUCT SPEC NOT APPLICABLE		SIZE A2	
0 PLC ± -		APPLICATION SPEC NOT APPLICABLE		CAGE CODE 00779	
1 PLC ± 0.30[.012]		WEIGHT -		DRAWING NO C=1571076	
2 PLC ± 0.05[.002]		CUSTOMER DRAWING		RESTRICTED TO -	
3 PLC ± -		SCALE 3:1		SHEET 3 OF 4	
4 PLC ± -		REV J1			
ANGLES ± -					
FINISH					

THIS DRAWING IS UNPUBLISHED. RELEASED FOR PUBLICATION
 © COPYRIGHT BY TYCO ELECTRONICS CORPORATION. ALL RIGHTS RESERVED.

LOC		DIST		REVISIONS			
P	LTR	DESCRIPTION	DATE	DWN	APVD		
-	-	SEE SHEET 1	-	-	-		

LEGACY PART NUMBER



SWITCH TYPE: X1 X2 = PR - POWER ROCKER

NOMINAL PANEL CUT OUT SIZE: X3 = A - 13.0x19.2

[.512x.756]

NUMBER OF POLES: X4 = S - SINGLE

SWITCH FUNCTION: X5 X6 =

A1 - ON-OFF, WITH OPAQUE, SINGLE-COLOR ROCKER BUTTON

A2 - ON-OFF, WITH OPAQUE, DUAL-COLOR ROCKER BUTTON

A3 - (ON)-OFF, WITH OPAQUE, SINGLE-COLOR ROCKER BUTTON

CURRENT RATING: X7 X8 = 16 - △6

TERMINAL TYPE: X9 = E - QC TAB

L - SOLDER LUG

FRAME COLOR: X10 = B - BLACK

W - WHITE

ROCKER COLOR: X11 = B - BLACK

G - GREEN

R - RED

W - WHITE

SECONDARY ROCKER COLOR: X12 = ∅ - NOT APPLICABLE

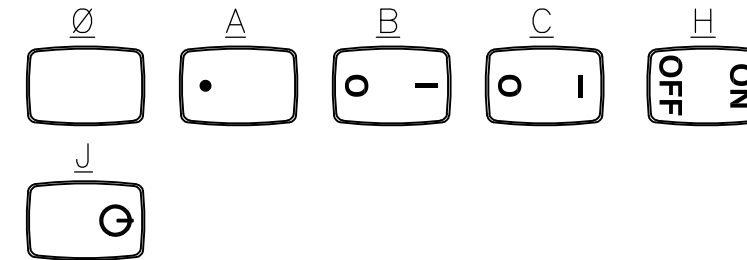
B - BLACK

G - GREEN

R - RED

W - WHITE

LEGEND TEXT PATTERN: X13 =



LEGEND TEXT COLOR: X14 = ∅ - NOT APPLICABLE

G - GREEN

R - RED

B - BLACK

W - WHITE

1 MATERIALS:
 ROCKER BUTTON & HOUSING FRAME: NYLON 66, UL 94 V-2.
 TERMINAL, ACTIVE CONTACTOR: COPPER ALLOY PER ASTM B152/B152M
 PLUNGER: COPPER ALLOY PER ASTM B036
 SPRING: STEEL WIRE PER ASTM A228/A228M
 CONTACT: SILVER-TIN OXIDE
 BOTTOM PLATE(SOLDER LUG OPTION): PHENOLIC LAMINATE

2 FINISH:
 TERMINAL, ACTIVE CONTACTOR: 1.0µm [.000039] MIN SILVER
 PLUNGER: 3.0µm [.000118] MIN NICKEL

3 ELECTRICAL SPECIFICATIONS:
 CURRENT AND VOLTAGE: **△6**
 CONTACT RESISTANCE (INITIAL): <100mΩ (5V, 1A DC)
 DIELECTRIC STRENGTH (INITIAL): >1000 VAC, 1 MINUTE
 INSULATION RESISTANCE (INITIAL): >100MΩ MIN (500VDC BETWEEN OPEN CONTACTS)
 INRUSH CURRENT: 50A / 3msec (CAPACITIVE LOAD)
 ELECTRICAL LIFE ENDURANCE: >6000 OPERATIONS,
 TEMPERATURE RISE AT TERMINALS: <30°C, 6000 OPERATIONS (AMBIENT CONDITIONS: 25±2°C AND 65±5%R.H)
 DEGREE OF PROTECTCION: IP40

4 MECHANICAL SPECIFICATIONS:
 ACTUATING FORCE: 150g MIN, 650g MAX
 OPERATING LIFE ENDURANCE: >100,000 OPERATIONS
 TERMINAL RETENTION FORCE: >2.5kg- SOLDER LUG
 >6.8kg- QC TAB

5 ENVIRONMENTAL SPECIFICATIONS:
 AMBIENT TEMPERATURE: -20°C TO +85°C
 HUMIDITY: MAX 85%
 SALT SPRAY: NO REMAKABLE RUST IN METAL PARTS. (5%SALT / 35°C 24HRS)
 SHOCK: NO MECHANICAL DEFECT OR DAMAGE. (100g / 10MSEC/ X,Y,Z 3 TIMES)
 VIBRATION: NO MECHANICAL DEFECT OR DAMAGE. (10-55Hz /1.5mm/ X,Y,Z 2HRS)
 DEGREE OF PROTECTION: IP40

△6 UL: 16A@125VAC 1/3HP / 10A@250VAC 1/2HP
 ENEC: 10A 125V~, 6(3)A 250V~ µ25T85.

△7 ELECTRICAL RATINGS, AGENCY APPROVAL LOGOS, TERMINAL IDENTIFICATION NUMBERS AND THE TYCO/ELECTRONICS LOGO MOLDED APPROXIMATELY AS SHOWN ON THE SIDE OF THE SWITCH HOUSING.

8. COMPONENT RECOGNIZED TO US AND CANADIAN STANDARDS, UL FILE NO. E46765.

9. COMPONENT RECOGNIZED TO EUROPEAN STANDARDS, (ENEC & VDE). MARKS LICENSE NO. 40006757.

10. ROHS 2002/95/EC COMPLIANT.

3	PRASA2-16F-BBRBR	6-1571076-7
2	PRASA1-16L-BR000	6-1571076-6
1	PRASA1-16F-BR000	6-1571076-5
2	PRASA1-16L-BROBW	3-1571076-0
1	PRASA3-16F-BBOJW	2-1571076-1
1	PRASA1-16F-BBOHW	2-1571076-0
2	PRASA1-16L-BBOCW	1-1571076-4
2	PRASA1-16L-BBOBW	1-1571076-3
2	PRASA1-16L-BB000	1-1571076-2
1	PRASA1-16F-BBOCW	1-1571076-1
1	PRASA1-16F-BBOBW	1-1571076-0
1	PRASA1-16F-BB000	1571076-9

SHEET REF.	LEGACY PART NUMBER	PART NUMBER
------------	--------------------	-------------

THIS DRAWING IS A CONTROLLED DOCUMENT.		DWN M.BINNER	25FEB2002	Tyco Electronics Corporation Harrisburg, PA 17057	
DIMENSIONS: MM		CHK J.MOSIER	APVD -	NAME POWER ROCKER SWITCH, 13.0mm X 19.2mm	
TOLERANCES UNLESS OTHERWISE SPECIFIED:		PRODUCT SPEC NOT APPLICABLE		APPLICATION SPEC NOT APPLICABLE	
MATERIAL △1		FINISH △2		SIZE A2	CAGE CODE 00779
WEIGHT -		DRAWING NO C=1571076		RESTRICTED TO -	
CUSTOMER DRAWING			SCALE 3:1	SHEET 4	OF 4
			REV J1		