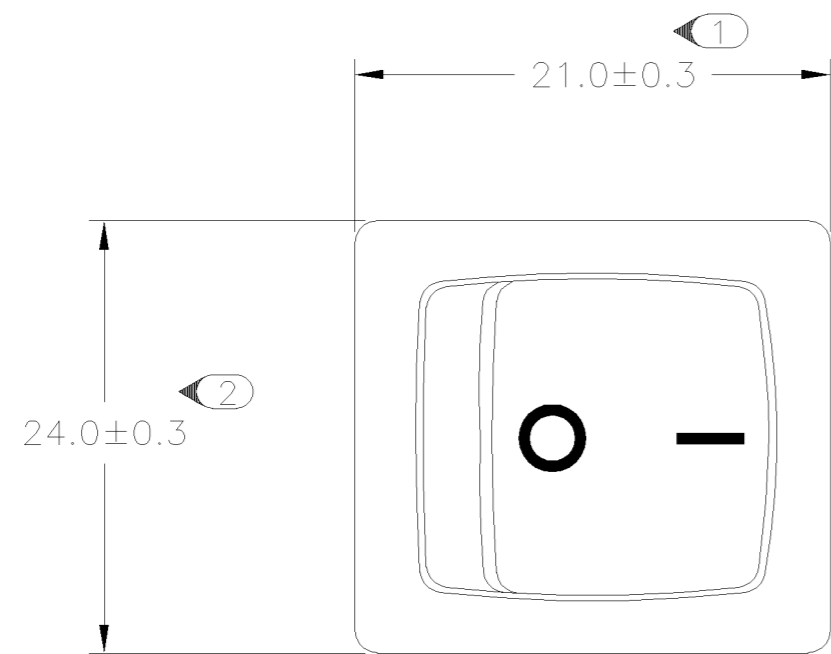
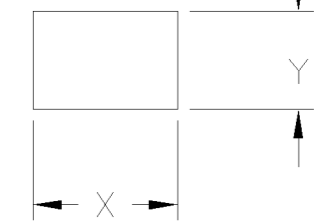


THIS DRAWING IS UNPUBLISHED. RELEASED FOR PUBLICATION 30/OCT ,2003.  
 © COPYRIGHT 2003 BY TYCO ELECTRONICS CORPORATION. ALL RIGHTS RESERVED.

LOC		DIST		REVISIONS			
P	LTR	DESCRIPTION		DATE	DWN	APVD	
B		EBD0-0380-04		12/08/04	AM	FWK	

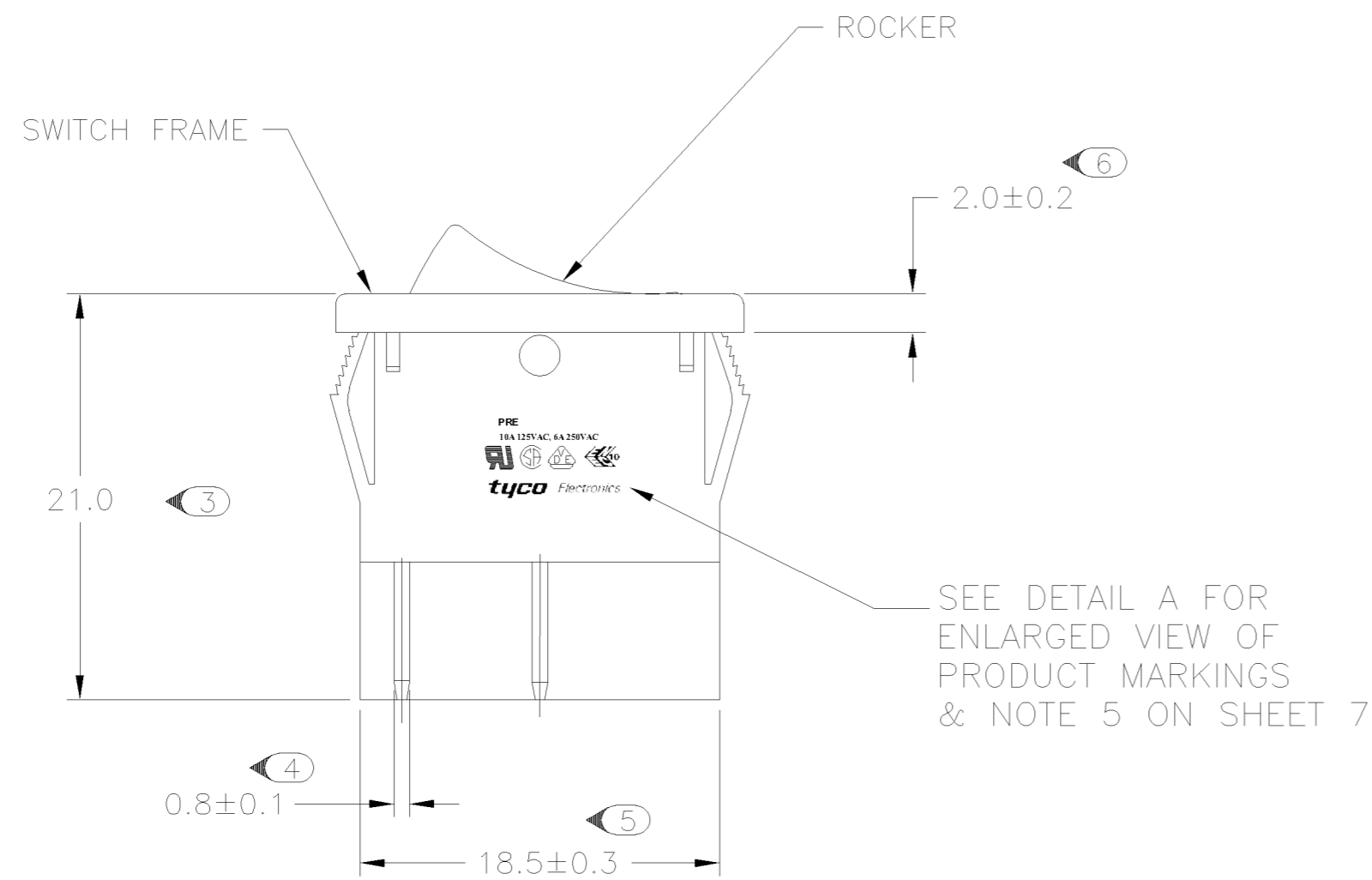
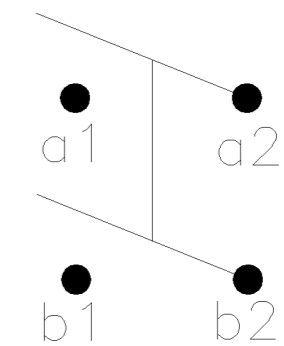


PANEL CUT OUT

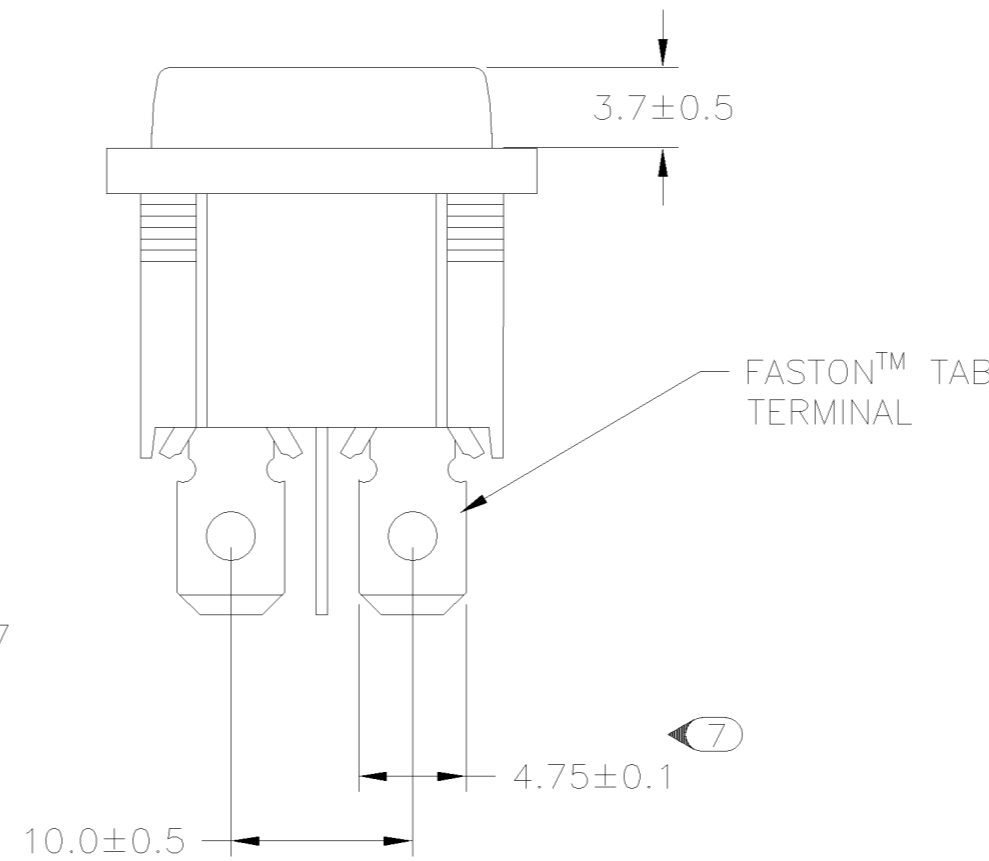


2.00-3.00	20.20	22.20
1.25-2.00	19.60	22.20
0.75-1.25	19.40	22.20
PANEL THICKNESS	X	Y

CIRCUIT DIAGRAM

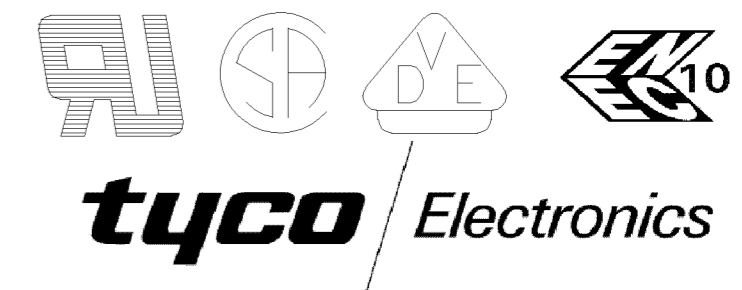


SEE DETAIL A FOR ENLARGED VIEW OF PRODUCT MARKINGS & NOTE 5 ON SHEET 7



**PRODUCT MARKING  
DETAIL A**

**PRE  
10A 125VAC, 6A 250VAC**

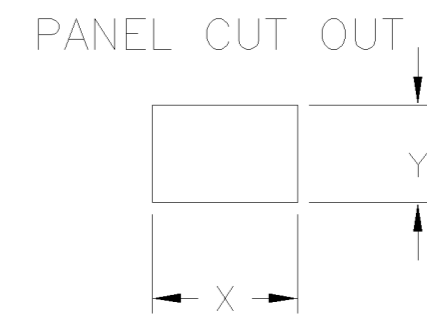
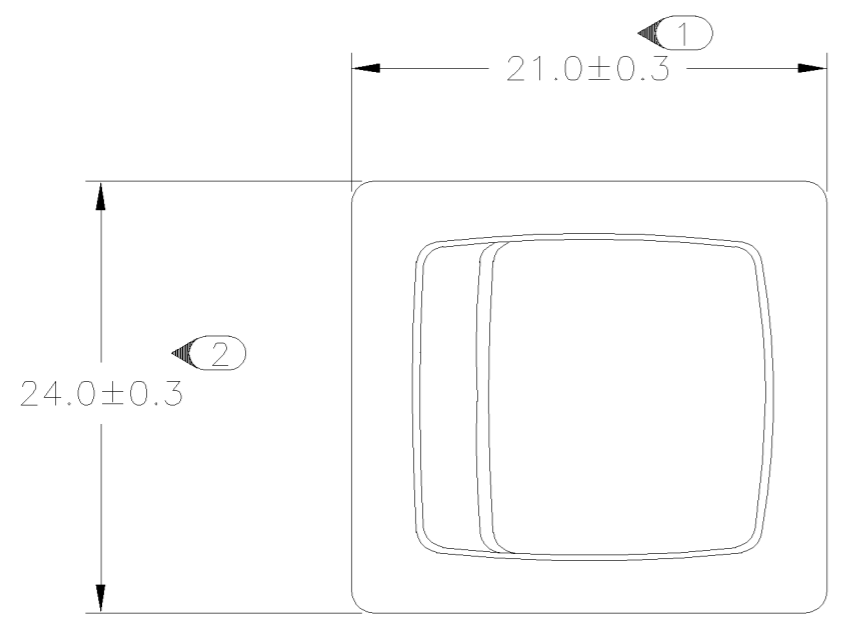


6 1634200-2 SHOWN ON-OFF

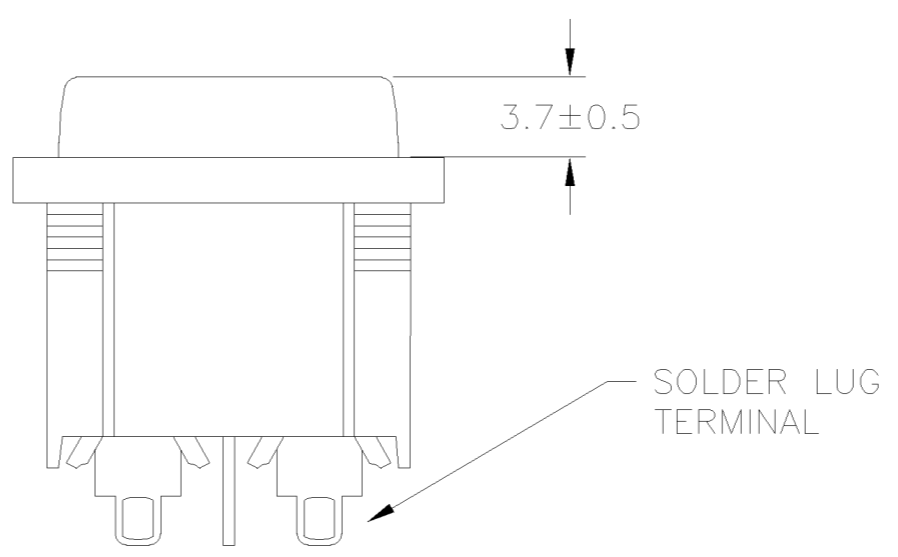
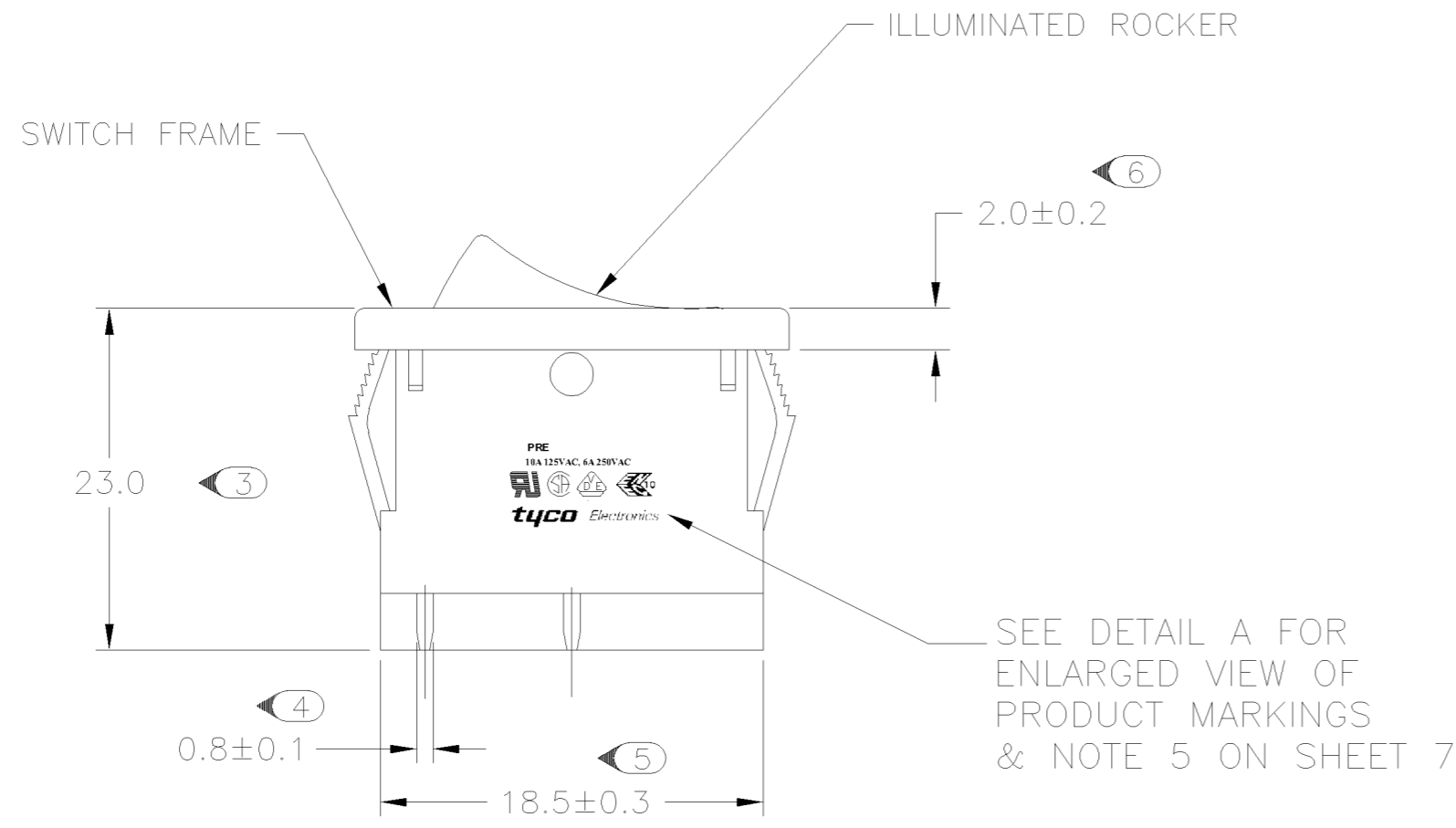
THIS DRAWING IS A CONTROLLED DOCUMENT.		DWN	16JAN2003	tyco Electronics Corporation	
DIMENSIONS: MM		S.SHACKSON	16JAN2003	Tyco Electronics Corporation Harrisburg, PA 17057	
TOLERANCES UNLESS OTHERWISE SPECIFIED:		CHK	16JAN2003	NAME	
0 PLC	± -	H.KAUTZ	16JAN2003	POWER ROCKER SWITCH, 19.4mm X 22.2mm	
1 PLC	± 0.5	APVD	16JAN2003	PANEL CUT-OUT SIZE, DOUBLE POLE, SINGLE THROW, NON-ILLUMINATED	
2 PLC	±	H.KAUTZ	16JAN2003	SIZE	CAGE CODE
3 PLC	±	PRODUCT SPEC	16JAN2003	A2	00779
4 PLC	±	APPLICATION SPEC	16JAN2003	DRAWING NO	RESTRICTED TO
ANGLES	± -	NOT APPLICABLE	16JAN2003	C=1634200	-
FINISH	± -	WEIGHT	-	SCALE	SHEET
		CUSTOMER DRAWING		3:1	1 OF 7
					REV B

THIS DRAWING IS UNPUBLISHED. RELEASED FOR PUBLICATION 30/OCT ,2003.  
 © COPYRIGHT 2003 BY TYCO ELECTRONICS CORPORATION. ALL RIGHTS RESERVED.

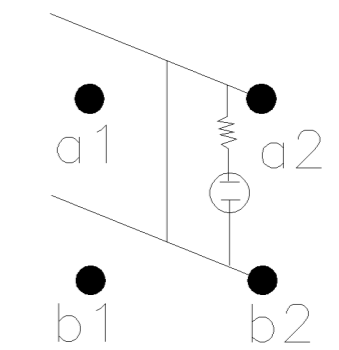
LOC	DIST	REVISIONS			
P	LTR	DESCRIPTION	DATE	DWN	APVD
-	-	SEE SHEET 1	-	-	-



2.00-3.00	20.20	22.20
1.25-2.00	19.60	22.20
0.75-1.25	19.40	22.20
PANEL THICKNESS	X	Y



CIRCUIT DIAGRAM



**PRODUCT MARKING**  
**DETAIL A**

**PRE**  
**10A 125VAC, 6A 250VAC**

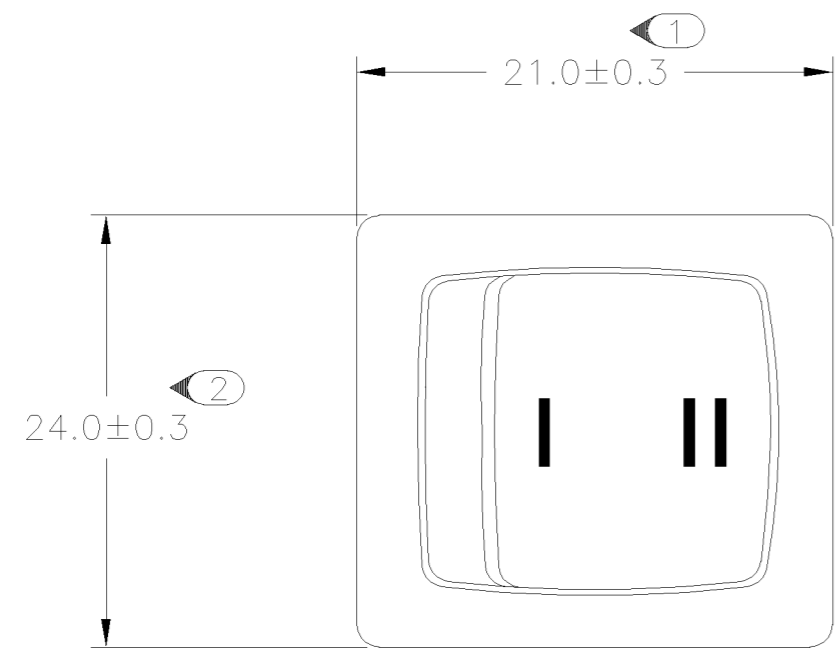
**tyco Electronics**

7 1634200-8 SHOWN ON-OFF ILLUMINATED

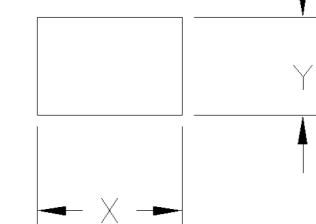
THIS DRAWING IS A CONTROLLED DOCUMENT.		DWN S.SHACKSON 16JAN2003	<b>tyco Electronics</b> Tyco Electronics Corporation Harrisburg, PA 17057	
DIMENSIONS: MM		CHK H.KAUTZ 16JAN2003	NAME POWER ROCKER SWITCH, 19.4mm X 22.2mm	
TOLERANCES UNLESS OTHERWISE SPECIFIED:		APVD H.KAUTZ 16JAN2003	PANEL CUT-OUT SIZE, DOUBLE POLE, SINGLE THROW, ILLUMINATED	
0 PLC ± -		PRODUCT SPEC NOT APPLICABLE	SIZE A2	CAGE CODE 00779
1 PLC ± 0.5		APPLICATION SPEC NOT APPLICABLE	DRAWING NO C=1634200	RESTRICTED TO -
2 PLC ± -		WEIGHT -	SCALE 3:1	SHEET 2 OF 7
3 PLC ± -		CUSTOMER DRAWING	REV B	
4 PLC ± -				
ANGLES ± -				
FINISH				

THIS DRAWING IS UNPUBLISHED. RELEASED FOR PUBLICATION 30/OCT ,2003.  
 © COPYRIGHT 2003 BY TYCO ELECTRONICS CORPORATION. ALL RIGHTS RESERVED.

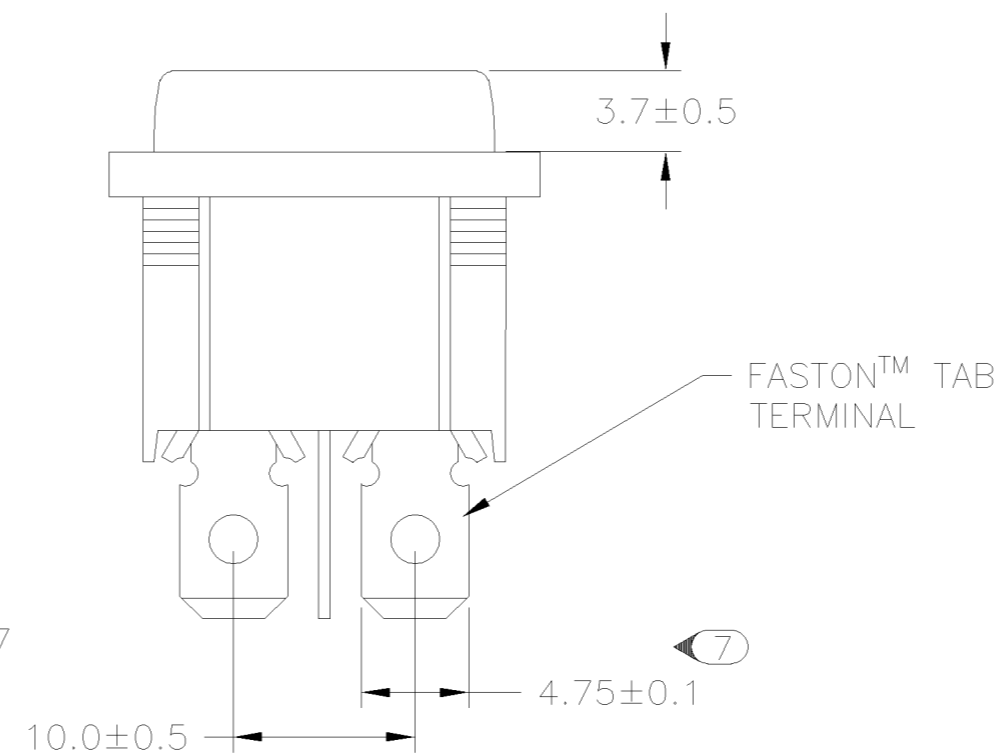
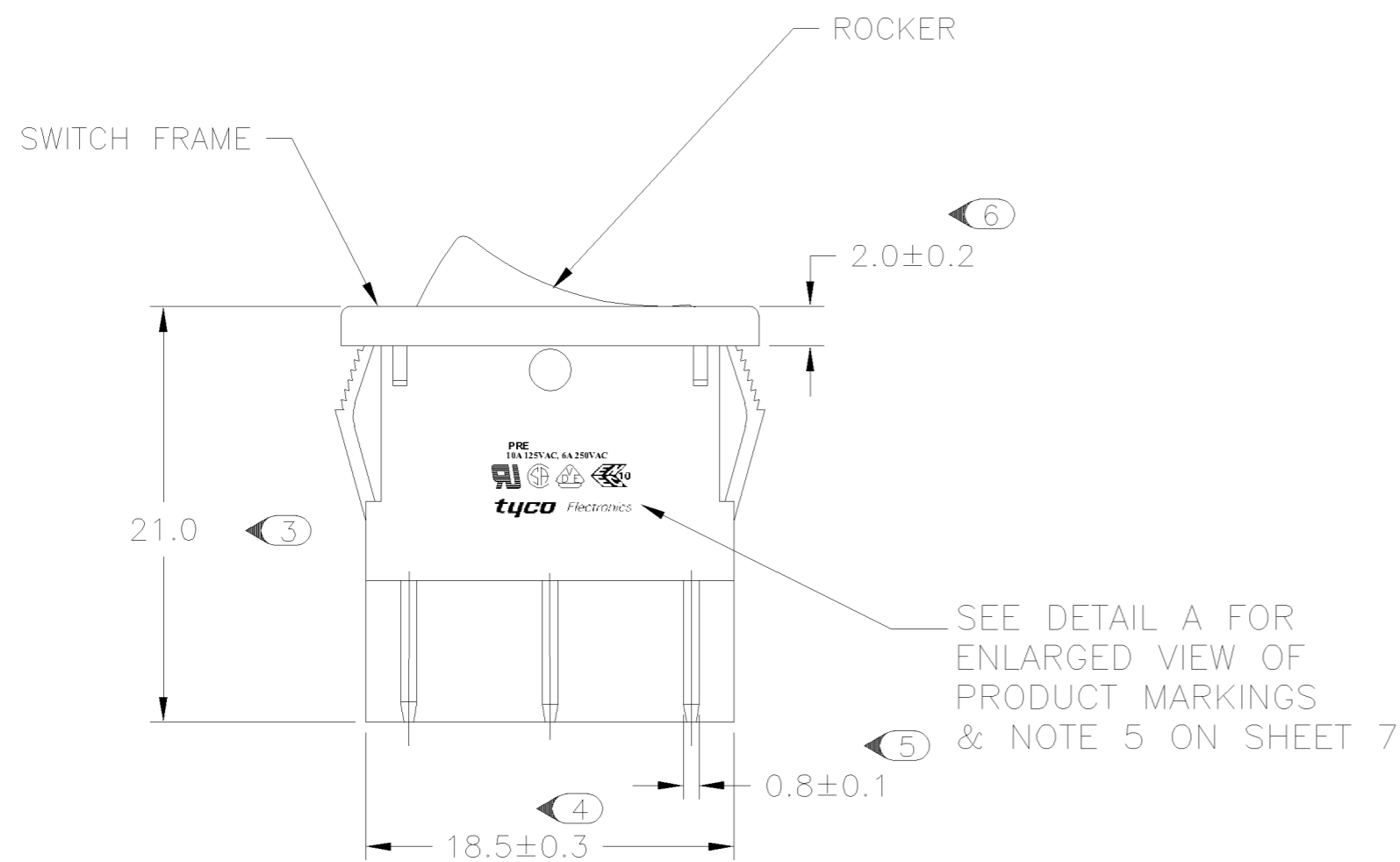
LOC		DIST		REVISIONS			
P	LTR	DESCRIPTION	DATE	DWN	APVD		
-	-	SEE SHEET 1	-	-	-		



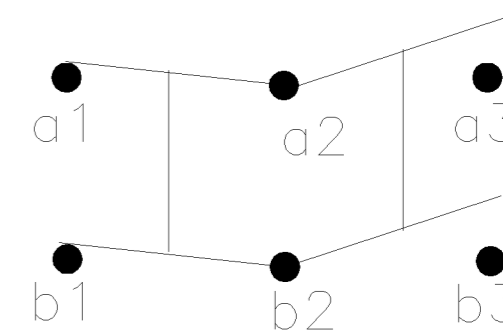
PANEL CUT OUT



2.00-3.00	20.20	22.20
1.25-2.00	19.60	22.20
0.75-1.25	19.40	22.20
PANEL THICKNESS	X	Y



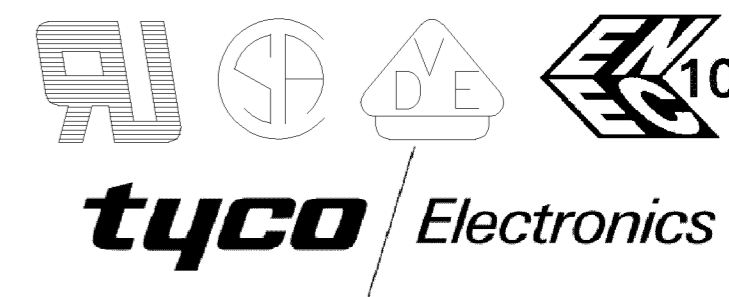
CIRCUIT DIAGRAM



SEE DETAIL A FOR ENLARGED VIEW OF PRODUCT MARKINGS & NOTE 5 ON SHEET 7

**PRODUCT MARKING  
DETAIL A**

**PRE  
10A 125VAC, 6A 250VAC**

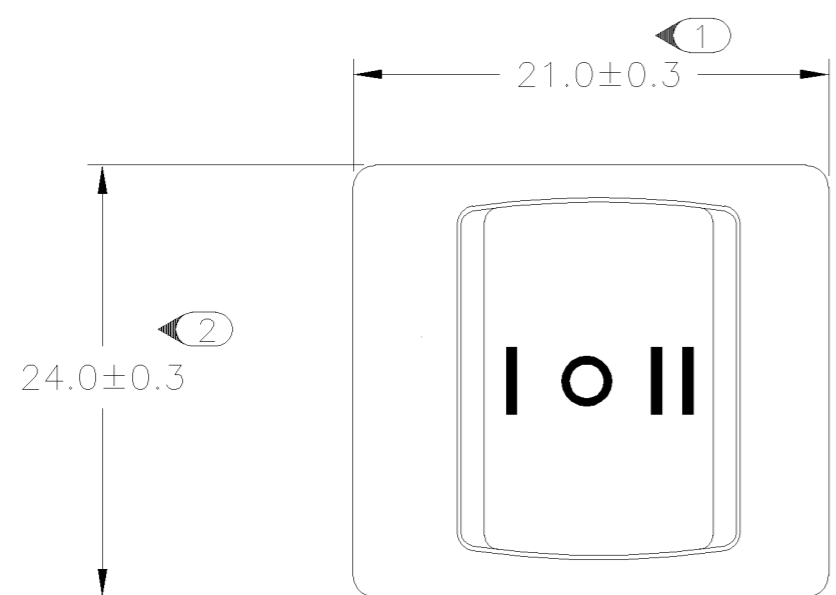


8 1-1634200-2 SHOWN ON-ON

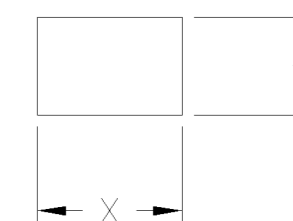
THIS DRAWING IS A CONTROLLED DOCUMENT.		DWN S.SHACKSON 16JAN2003	<b>tyco</b> Tyco Electronics Corporation	
DIMENSIONS: MM		CHK H.KAUTZ 16JAN2003	Harrisburg, PA 17057	
TOLERANCES UNLESS OTHERWISE SPECIFIED:		APVD H.KAUTZ 16JAN2003	NAME	
0-PLC ± -	1-PLC ± 0.5	PRODUCT SPEC	POWER ROCKER SWITCH, 19.4mm X 22.2mm	
2-PLC ± -	3-PLC ± -	APPLICATION SPEC	PANEL CUT-OUT SIZE, DOUBLE POLE,	
4-PLC ± -	ANGLES ± -	WEIGHT	SIZE	RESTRICTED TO
MATERIAL	FINISH	-	A2	-
CAGE CODE		DRAWING NO		SCALE
00779		C=1634200		3:1
CUSTOMER DRAWING		SHEET		REV
		3 OF 7		B

THIS DRAWING IS UNPUBLISHED. RELEASED FOR PUBLICATION 30/OCT, 2003.  
 © COPYRIGHT 2003 BY TYCO ELECTRONICS CORPORATION. ALL RIGHTS RESERVED.

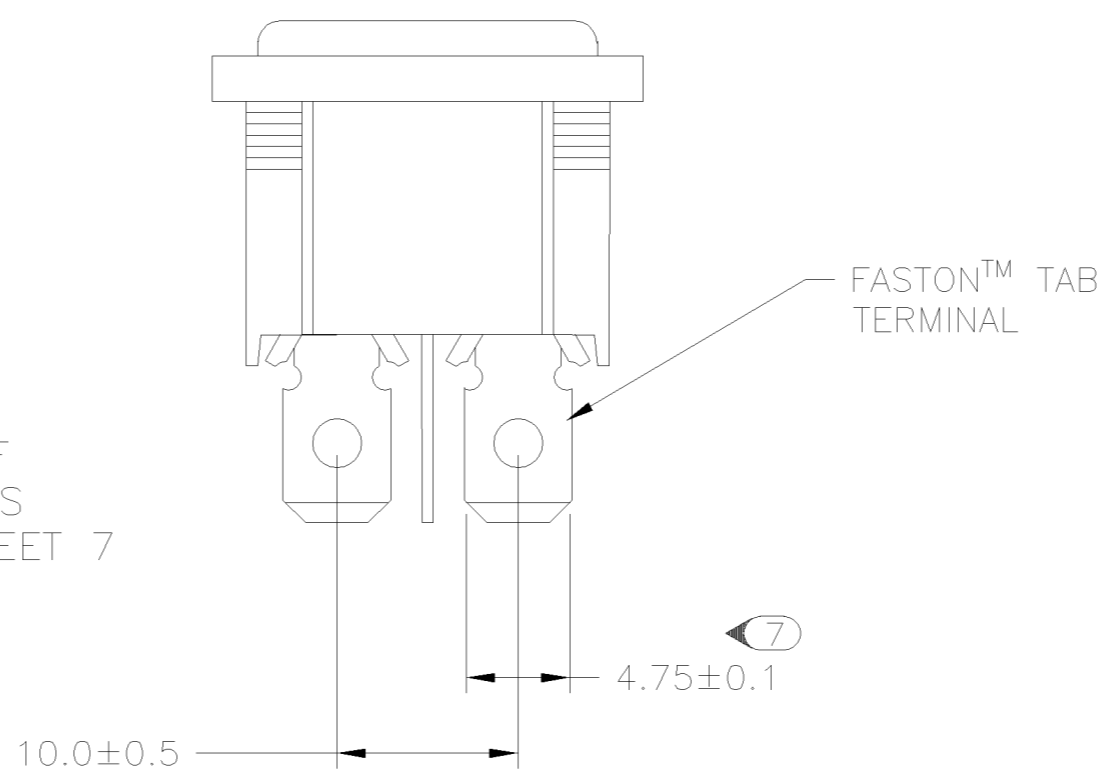
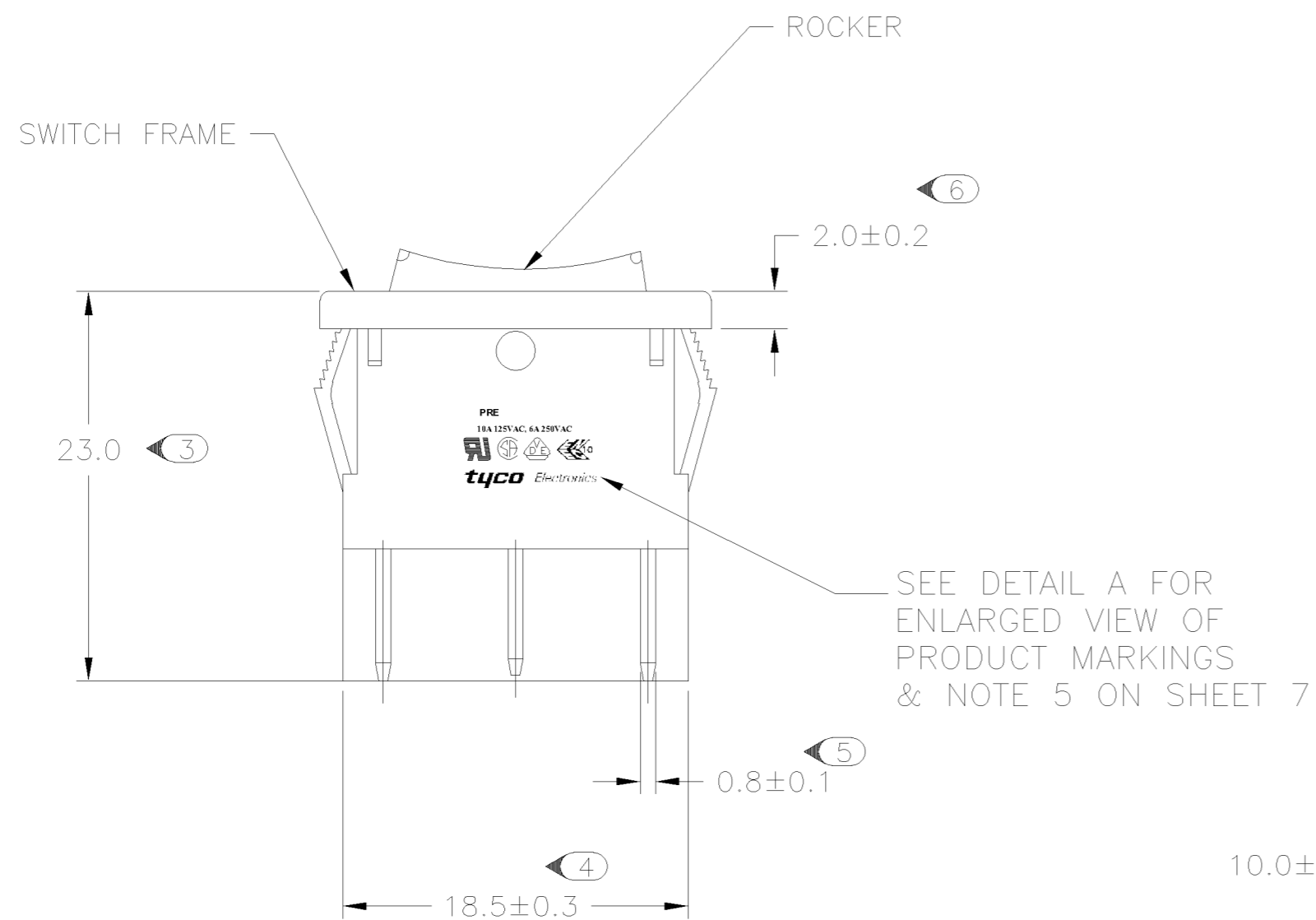
LOC		DIST		REVISIONS			
P	LTR	DESCRIPTION	DATE	DWN	APVD		
-	-	SEE SHEET 1	-	-	-		



PANEL CUT OUT

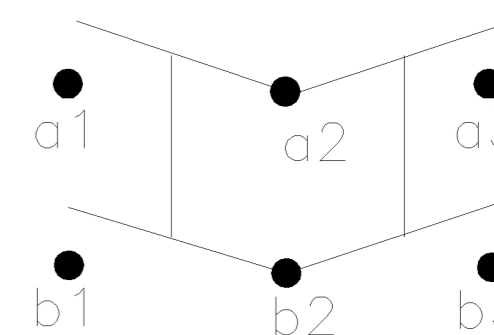


2.00-3.00	20.20	22.20
1.25-2.00	19.60	22.20
0.75-1.25	19.40	22.20
PANEL THICKNESS	X	Y



SEE DETAIL A FOR ENLARGED VIEW OF PRODUCT MARKINGS & NOTE 5 ON SHEET 7

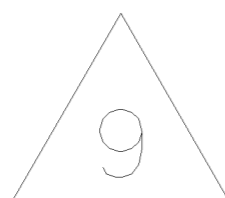
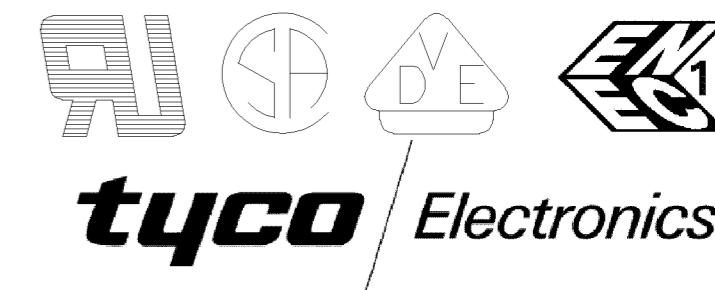
CIRCUIT DIAGRAM



**PRODUCT MARKING**

**DETAIL A**

**PRE**  
**10A 125VAC, 6A 250VAC**

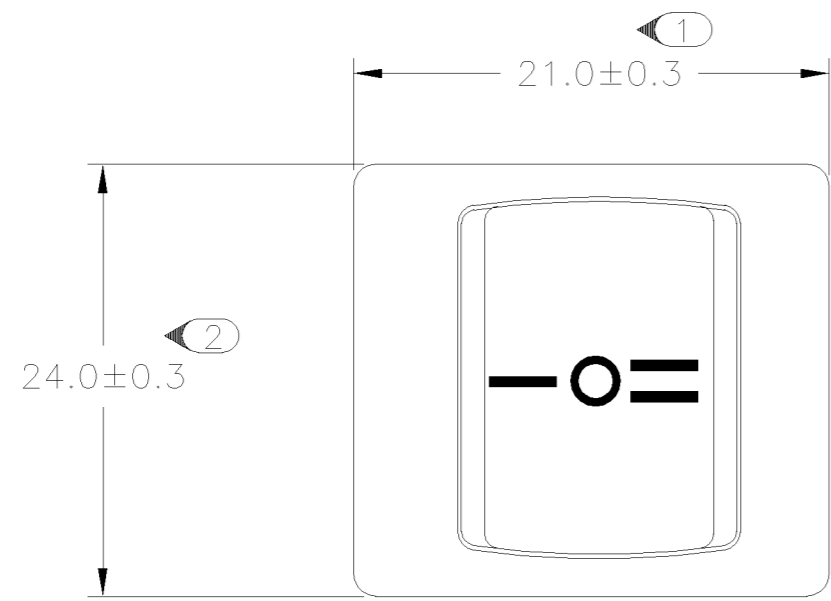


1-1634200-7 SHOWN ON-OFF-ON

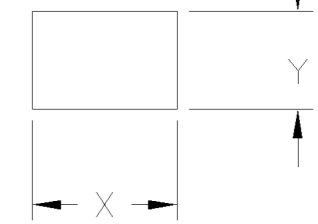
THIS DRAWING IS A CONTROLLED DOCUMENT.		DWN	16JAN2003	<b>tyco</b> Tyco Electronics Corporation	
DIMENSIONS: MM		CHK	16JAN2003	Harrisburg, PA 17057	
TOLERANCES UNLESS OTHERWISE SPECIFIED:		APVD	16JAN2003	NAME	
0-PLC	± -	H.KAUTZ		POWER ROCKER SWITCH, 19.4mm X 22.2mm	
1-PLC	± 0.5	H.KAUTZ		PANEL CUT-OUT SIZE, DOUBLE POLE,	
2-PLC	±	H.KAUTZ		NON-ILLUMINATED	
3-PLC	±	H.KAUTZ		SIZE	RESTRICTED TO
4-PLC	±	H.KAUTZ		A2	-
ANGLES	± -	H.KAUTZ		CAGE CODE	00779
FINISH	± -	H.KAUTZ		DRAWING NO	C=1634200
MATERIAL	1	H.KAUTZ		SCALE	3:1
MATERIAL		H.KAUTZ		SHEET	4 OF 7
MATERIAL		H.KAUTZ		REV	B
MATERIAL		H.KAUTZ		CUSTOMER DRAWING	

THIS DRAWING IS UNPUBLISHED. RELEASED FOR PUBLICATION 30/OCT , 2003.  
 © COPYRIGHT 2003 BY TYCO ELECTRONICS CORPORATION. ALL RIGHTS RESERVED.

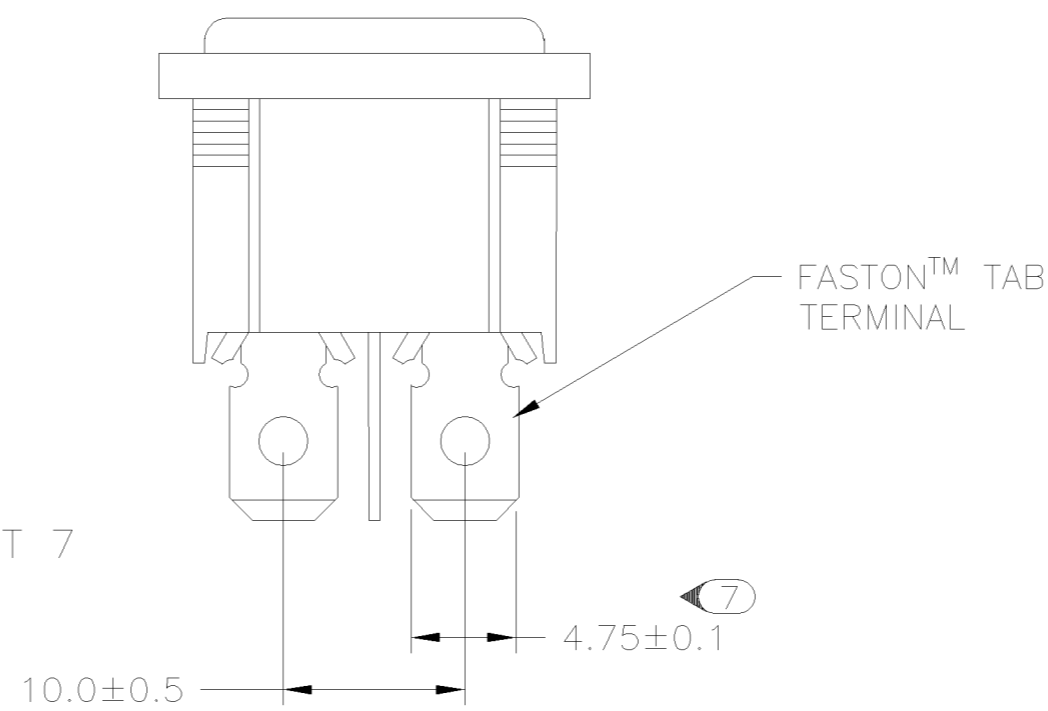
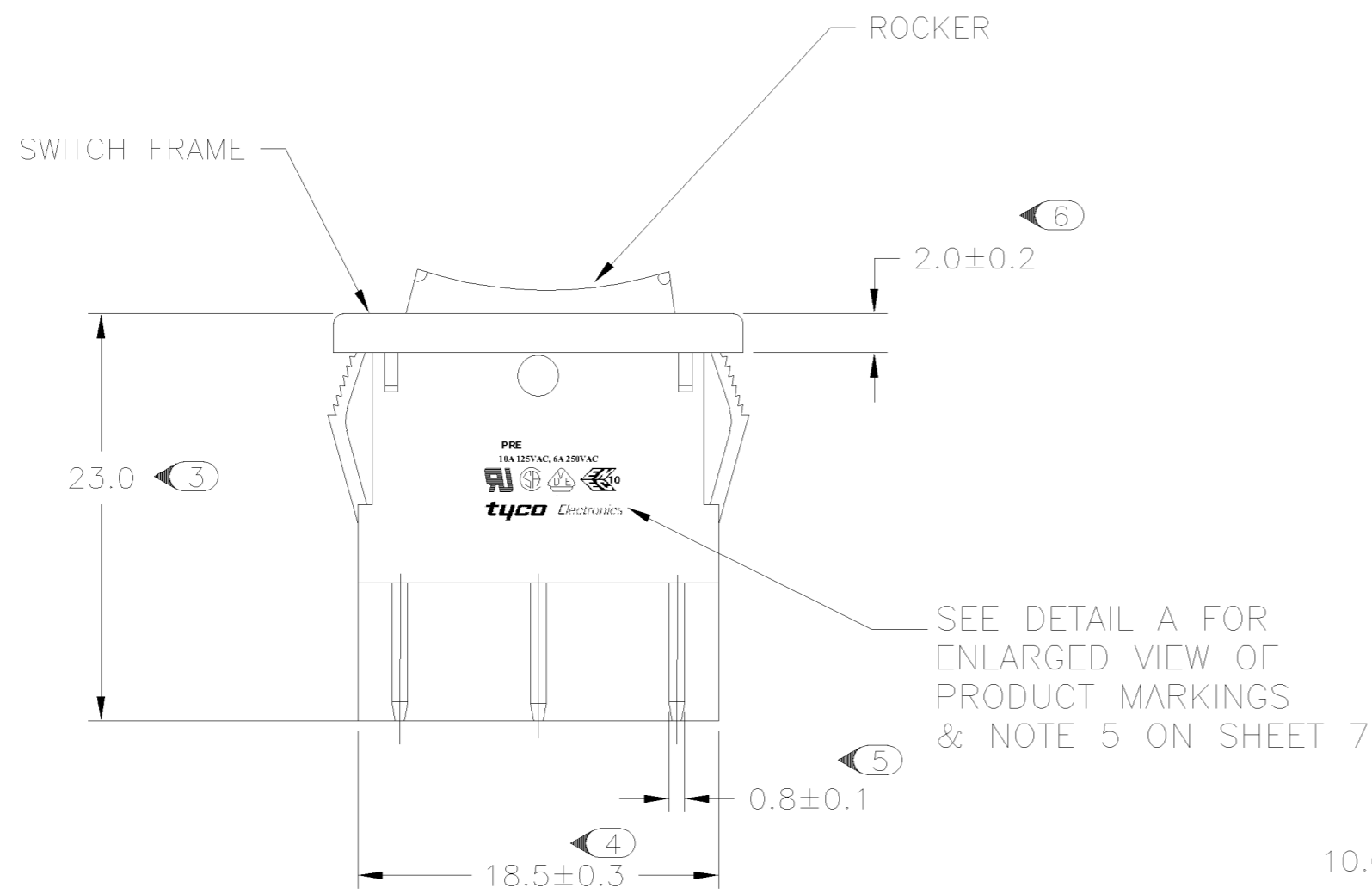
LOC		DIST		REVISIONS			
P	LTR	DESCRIPTION	DATE	DWN	APVD		
-	-	SEE SHEET 1	-	-	-		



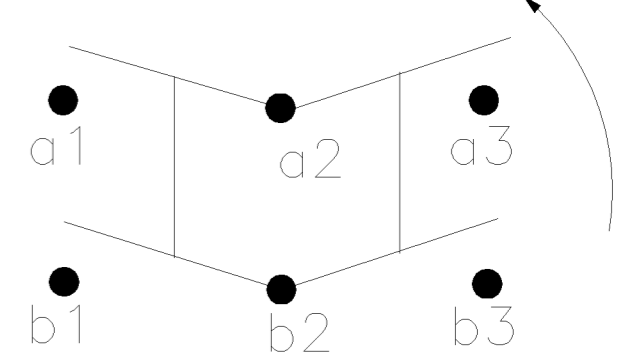
PANEL CUT OUT



2.00-3.00	20.20	22.20
1.25-2.00	19.60	22.20
0.75-1.25	19.40	22.20
PANEL THICKNESS	X	Y

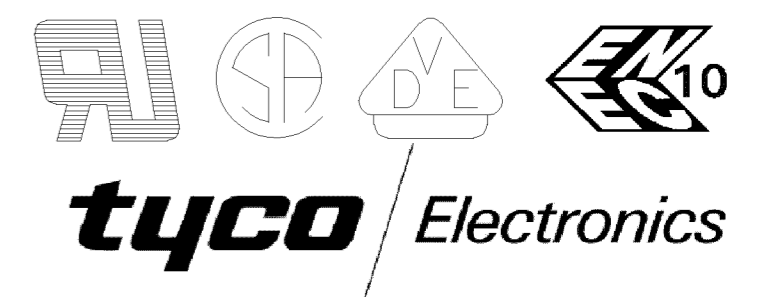


CIRCUIT DIAGRAM



**PRODUCT MARKING**  
**DETAIL A**

**PRE**  
**10A 125VAC, 6A 250VAC**

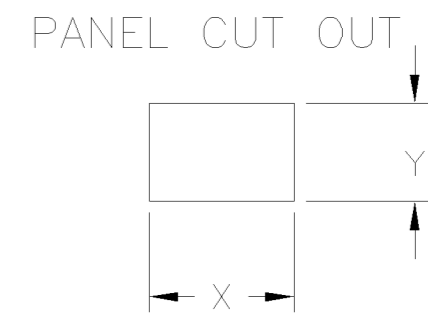
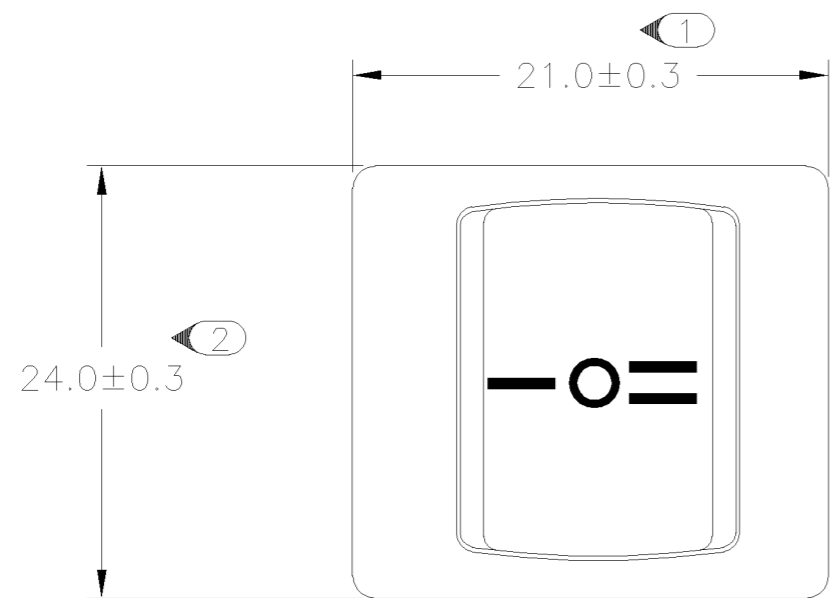


10 2-1634200-3 SHOWN ON-OFF-(ON)

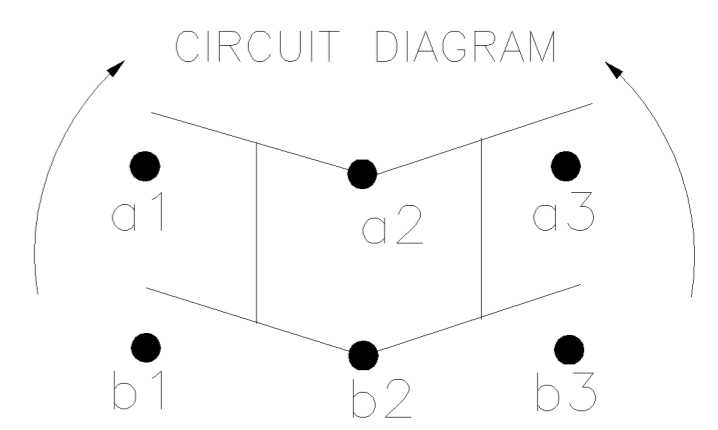
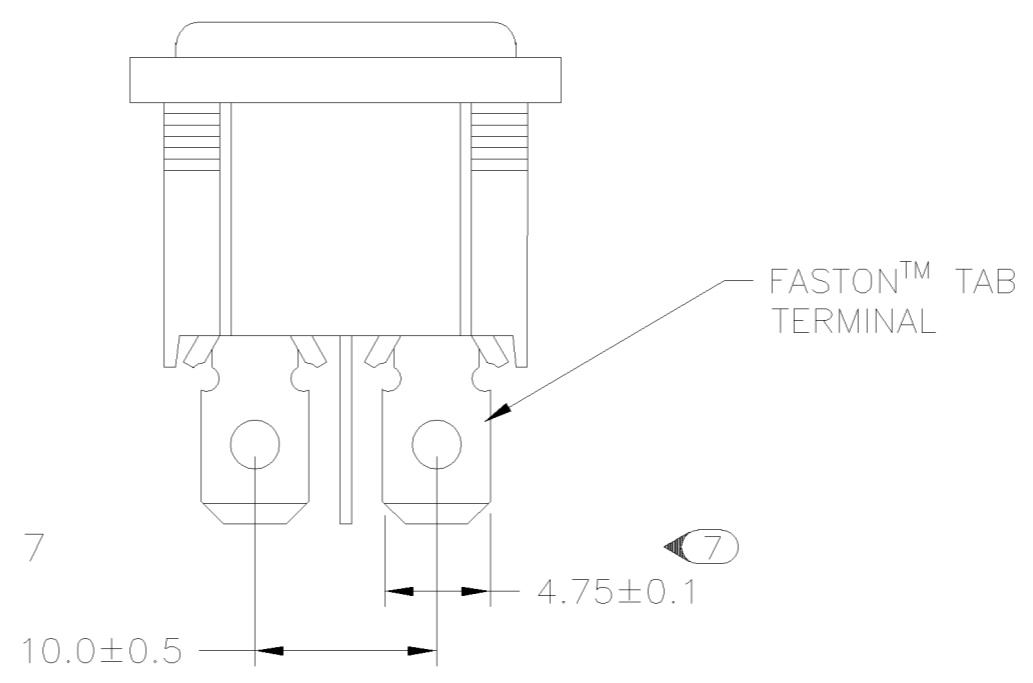
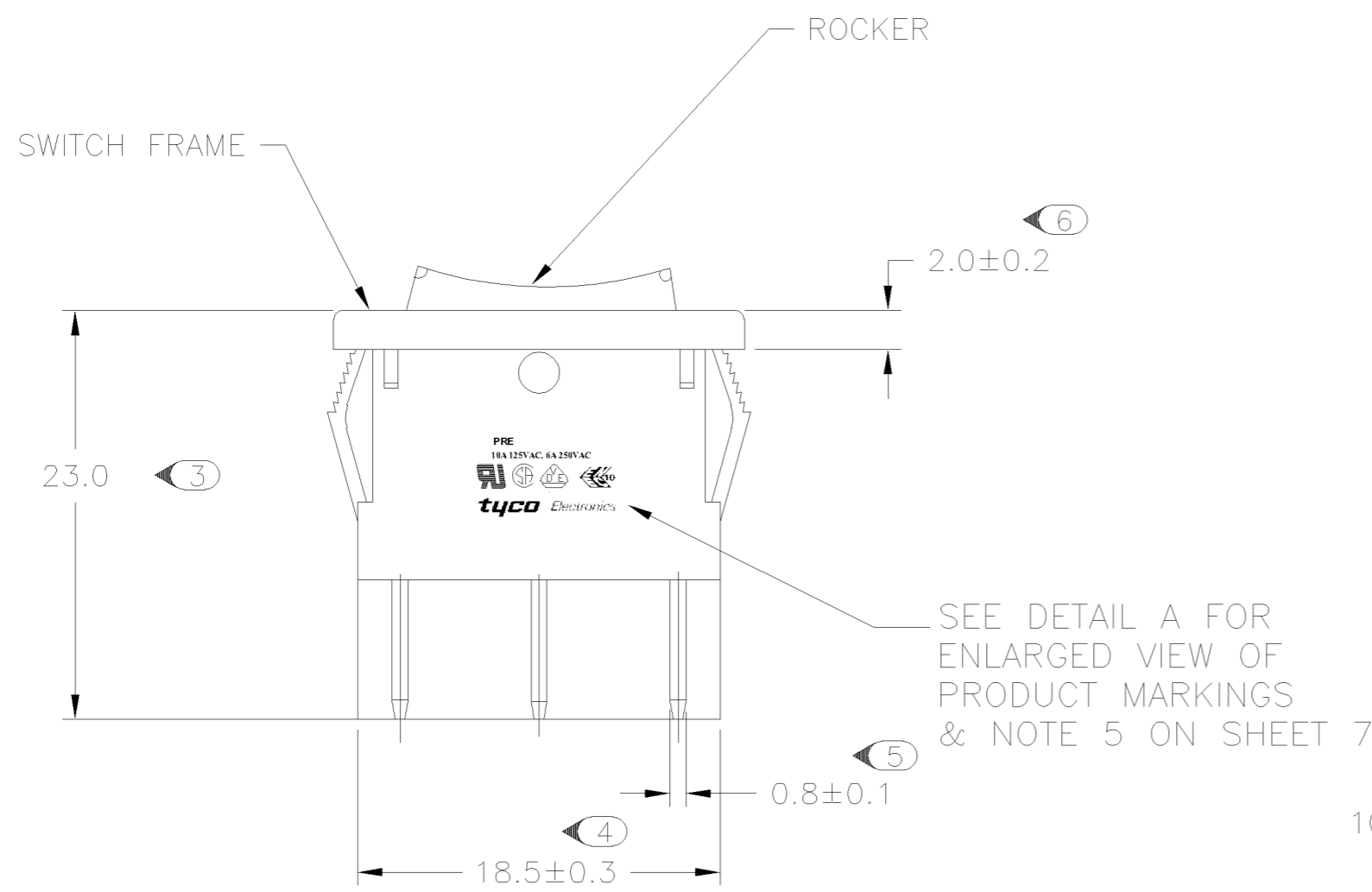
DIMENSIONS:		TOLERANCES UNLESS OTHERWISE SPECIFIED:		THIS DRAWING IS A CONTROLLED DOCUMENT.		DWN		16JAN2003		tyco Electronics		Tyco Electronics Corporation	
MM		0-PLC	± -	CHK	S.SHACKSON	16JAN2003	HARRISBURG, PA 17057		NAME		POWER ROCKER SWITCH, 19.4mm X 22.2mm		RESTRICTED TO
		1-PLC	± 0.5	APVD	H.KAUTZ	16JAN2003	HARRISBURG, PA 17057		PRODUCT SPEC		PANEL CUT-OUT SIZE, DOUBLE POLE,		
		2-PLC	± -	PRODUCT SPEC	H.KAUTZ	16JAN2003	HARRISBURG, PA 17057		APPLICATION SPEC		NON-ILLUMINATED		
		3-PLC	± -	NOT APPLICABLE		NOT APPLICABLE		NOT APPLICABLE		SIZE	CAGE CODE	DRAWING NO	
		4-PLC	± -	NOT APPLICABLE		NOT APPLICABLE		NOT APPLICABLE		A2	00779	C=1634200	
		ANGLES	± -	NOT APPLICABLE		NOT APPLICABLE		NOT APPLICABLE		SCALE	SHEET	OF	REV
		FINISH	± -	NOT APPLICABLE		NOT APPLICABLE		NOT APPLICABLE		3:1	5	7	B
MATERIAL	1			CUSTOMER DRAWING		CUSTOMER DRAWING		CUSTOMER DRAWING					

THIS DRAWING IS UNPUBLISHED. RELEASED FOR PUBLICATION 30/OCT ,2003.  
 © COPYRIGHT 2003 BY TYCO ELECTRONICS CORPORATION. ALL RIGHTS RESERVED.

LOC		DIST		REVISIONS			
P	LTR	DESCRIPTION	DATE	DWN	APVD		
-	-	SEE SHEET 1	-	-	-		



2.00-3.00	20.20	22.20
1.25-2.00	19.60	22.20
0.75-1.25	19.40	22.20
PANEL THICKNESS	X	Y



**PRODUCT MARKING  
DETAIL A**

**PRE  
10A 125VAC, 6A 250VAC**

**tyco Electronics**

11 2-1634200-6 SHOWN (ON)-OFF-(ON)

THIS DRAWING IS A CONTROLLED DOCUMENT.		DWN S.SHACKSON 16JAN2003	<b>tyco Electronics</b> Tyco Electronics Corporation Harrisburg, PA 17057	
DIMENSIONS: MM		CHK H.KAUTZ 16JAN2003	NAME POWER ROCKER SWITCH, 19.4mm X 22.2mm PANEL CUT-OUT SIZE, DOUBLE POLE, NON-ILLUMINATED	
TOLERANCES UNLESS OTHERWISE SPECIFIED:		APVD K.KAUTZ 16JAN2003	SIZE A2 CAGE CODE 00779 C=1634200	
0 PLC ± -	1 PLC ± 0.5	PRODUCT SPEC NOT APPLICABLE	DRAWING NO. RESTRICTED TO	
2 PLC ± -	3 PLC ± -	APPLICATION SPEC NOT APPLICABLE	SCALE 3:1 SHEET 6 OF 7 REV B	
4 PLC ± -	ANGLES ± -	WEIGHT -		
MATERIAL 1	FINISH 2	CUSTOMER DRAWING		

LOC	DIST	REVISIONS					
E	B	P	LTR	DESCRIPTION	DATE	DWN	APVD
		-		SEE SHEET 1	-	-	-

### ALCOSWITCH PART NUMBER



1 MATERIALS:  
 HOUSING FRAME: NYLON 66.  
 ACTUATOR: NYLON 66/ PC(ILLUMINATED)  
 TERMINALS C1100R-1/2H WITH SILVER PLATED CONTACTS  
 AgALLOY

2 FINISH:  
 TERMINAL, ACTIVE CONTACTOR: 1.0µm [.000039] SILVER  
 PLUNGER: 3.0µm[.000118] NICKEL

3. ELECTRICAL SPECIFICATIONS:  
 CONTACT RESISTANCE : 50m ohm Max  
 DIELECTRIC STRENGTH : AC 1500V, 1 MINUTE  
 OPERATION TEMPERATURE: -20°C~85°C  
 INSULATION R: DC 500V 100M ohm MIN

4 CURRENT AND VOLTAGE 10A@125VAC/6A@250VAC

5. ELECTRICAL RATINGS, APPROVED AGENCY LOGOS, TYCOELECTRONICS  
 LOGO AND PART NUMBER CAN APPEAR ON EITHER SIDE. (FOR FULL  
 DETAIL SEE INDIVIDUAL DRAWING)

6 ON-OFF, WITH OPAQUE, SINGLE-COLOR ROCKER BUTTON.

7 ON-OFF, WITH TRANSPARENT, LAMP-ILLUMINATED ROCKER BUTTON.

8 ON-ON, WITH OPAQUE, SINGLE-COLOR ROCKER BUTTON.

9 ON-OFF-ON, WITH OPAQUE, SINGLE-COLOR ROCKER BUTTON.

10 ON-OFF-(ON), WITH OPAQUE, SINGLE-COLOR ROCKER BUTTON.

11 (ON)-OFF-(ON), WITH OPAQUE, SINGLE-COLOR ROCKER BUTTON.

12. REFER TO QIP DIMENSIONAL REPORT

SWITCH TYPE: X1 X2 = PR - POWER ROCKER

NOMINAL PANEL CUT OUT SIZE: X3 = E - 19.4X22.2 [.764x.874]

NUMBER OF POLES: X4 = D - DOUBLE

SWITCH FUNCTION: X5 X6 =

- A1 -
- B1 -
- D1 -
- D3 -
- D4 -
- D5 -

CURRENT RATING: X7 X8 = OZ -

TERMINAL TYPE: X9 = E - FASTON™ TAB  
 L - SOLDER LUG

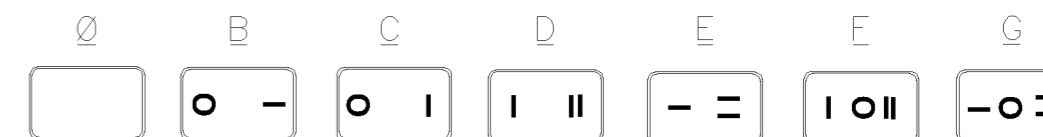
FRAME COLOR: X10 = B - BLACK  
 W - WHITE

ROCKER COLOR: X11 = B - BLACK  
 G - GREEN  
 R - RED  
 W - WHITE

SECONDARY ROCKER COLOR: X12 = Ø - NOT APPLICABLE

B - BLACK  
 G - GREEN  
 R - RED  
 W - WHITE

LEGEND TEXT PATTERN: X13 =



LEGEND TEXT COLOR: X14 = Ø - NOT APPLICABLE

G - GREEN  
 R - RED  
 B - BLACK  
 W - WHITE

SHEET REF	ALCOSWITCH PART NUMBER.	TYCO PART NUMBER.
1	PREDA1-07F-BB000	1634200-1
1	PREDA1-07F-BB0BW	1634200-2
1	PREDA1-07F-BB0CW	1634200-3
1	PREDA1-07L-BB000	1634200-4
1	PREDA1-07L-BB0BW	1634200-5
1	PREDA1-07L-BB0CW	1634200-6
2	PREDB1-07F-BR000	1634200-7
2	PREDB1-07L-BR000	1634200-8
2	PREDB1-07F-BG000	1634200-9
2	PREDB1-07L-BG000	1-1634200-0
3	PREDD1-07F-BB000	1-1634200-1
3	PREDD1-07F-BB0DW	1-1634200-2
3	PREDD1-07F-BB0EW	1-1634200-3
3	PREDD1-07L-BB000	1-1634200-4
3	PREDD1-07L-BB0DW	1-1634200-5
3	PREDD1-07L-BB0EW	1-1634200-6
4	PREDD3-07F-BB0FW	1-1634200-7
4	PREDD3-07F-BB0GW	1-1634200-8
4	PREDD3-07L-BB0FW	1-1634200-9
4	PREDD3-07L-BB0GW	2-1634200-0
5	PREDD4-07F-BB000	2-1634200-1
5	PREDD4-07F-BB0FW	2-1634200-2
5	PREDD4-07F-BB0GW	2-1634200-3
6	PREDD5-07F-BB000	2-1634200-4
6	PREDD5-07F-BB0FW	2-1634200-5
6	PREDD5-07F-BB0GW	2-1634200-6

THIS DRAWING IS A CONTROLLED DOCUMENT.		DWN S.SHACKSON 16JAN2003	<b>tyco</b> Tyco Electronics Corporation	
DIMENSIONS: MM		CHK H.KAUTZ 16JAN2003	Harrisburg, PA 17057	
TOLERANCES UNLESS OTHERWISE SPECIFIED:		APVD K.KAUTZ 16JAN2003	NAME POWER ROCKER SWITCH, 19.4mm X 22.2mm	
0 PLC ± -		PRODUCT SPEC	NOT APPLICABLE	
1 PLC ± 0.30[.012]		APPLICATION SPEC	NOT APPLICABLE	
2 PLC ± 0.05[.002]		SIZE	CAGE CODE	DRAWING NO
3 PLC ± -		WEIGHT	A2	00779
4 PLC ± -		SCALE	3:1	SHEET 7 OF 7
ANGLES ± -		REV	B	
FINISH		CUSTOMER DRAWING	C=1634200	