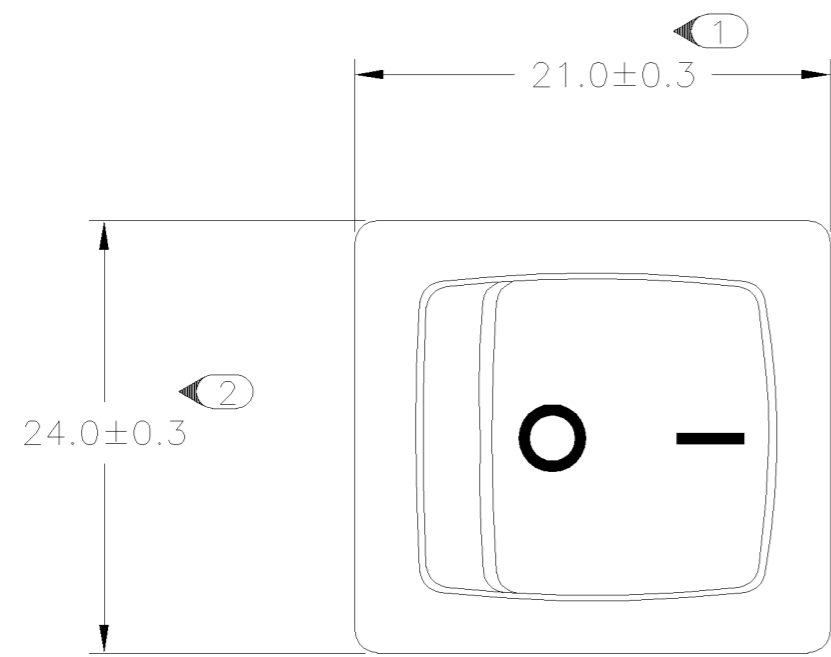
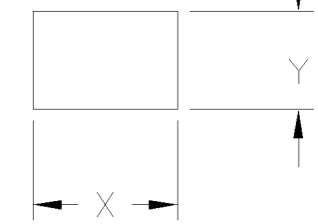


THIS DRAWING IS UNPUBLISHED. RELEASED FOR PUBLICATION 30/OCT ,2003.
 © COPYRIGHT 2003 BY TYCO ELECTRONICS CORPORATION. ALL RIGHTS RESERVED.

LOC		DIST		REVISIONS			
P	LTR	DESCRIPTION	DATE	DWN	APVD		
B		EBD0-0380-04	12/08/04	AM	FWK		

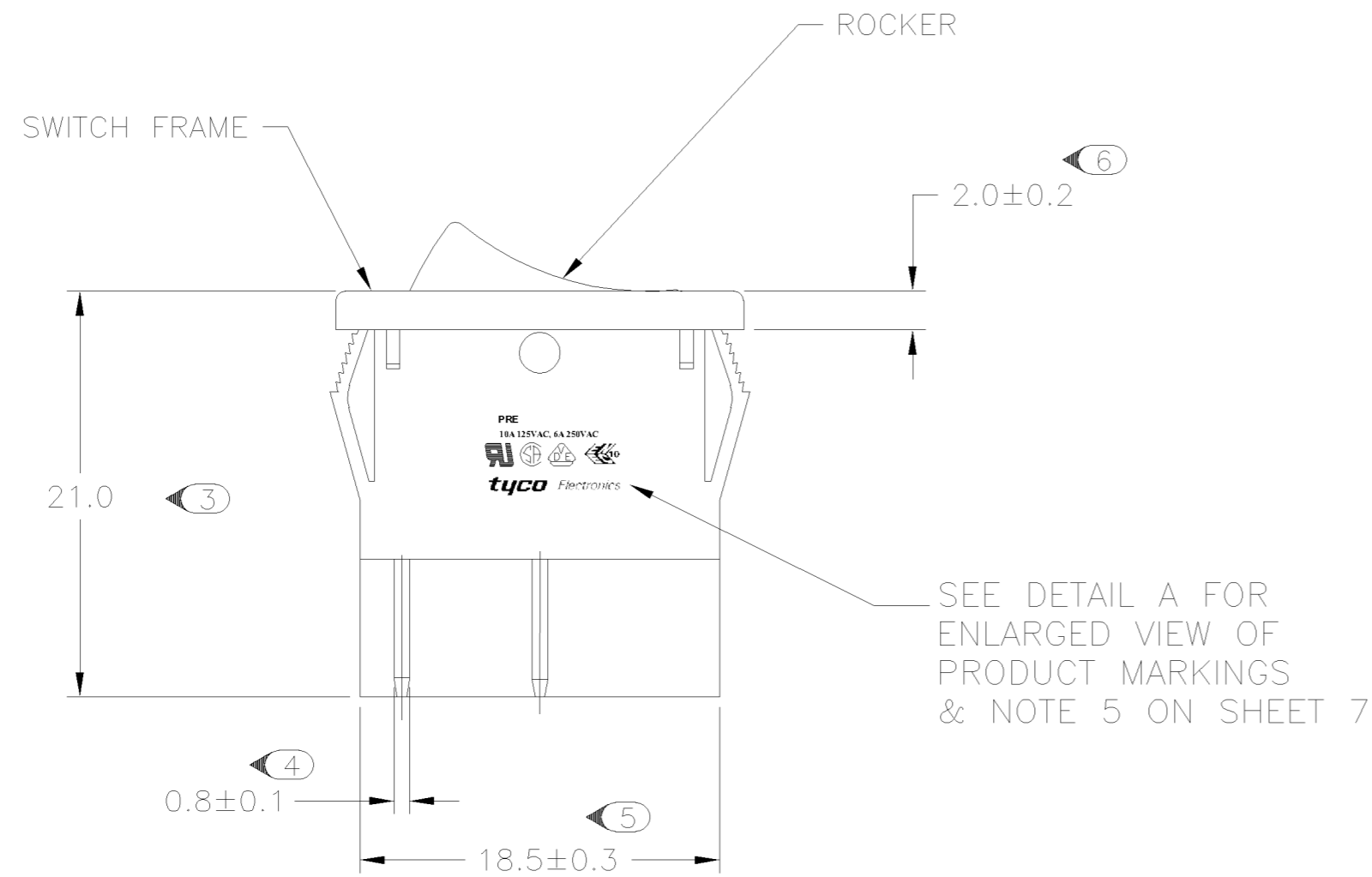
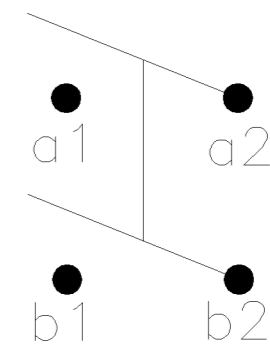


PANEL CUT OUT

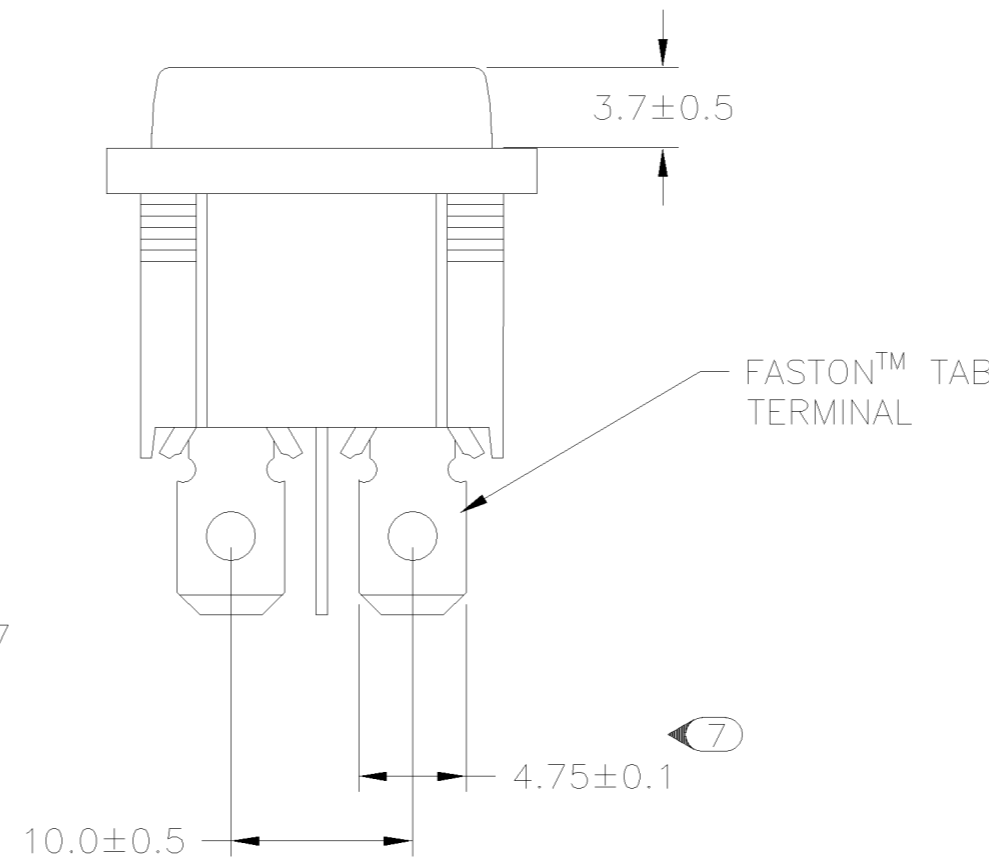


2.00-3.00	20.20	22.20
1.25-2.00	19.60	22.20
0.75-1.25	19.40	22.20
PANEL THICKNESS	X	Y

CIRCUIT DIAGRAM

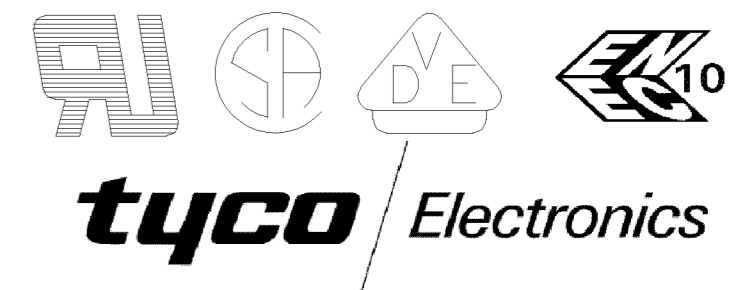


SEE DETAIL A FOR ENLARGED VIEW OF PRODUCT MARKINGS & NOTE 5 ON SHEET 7



**PRODUCT MARKING
DETAIL A**

**PRE
10A 125VAC, 6A 250VAC**

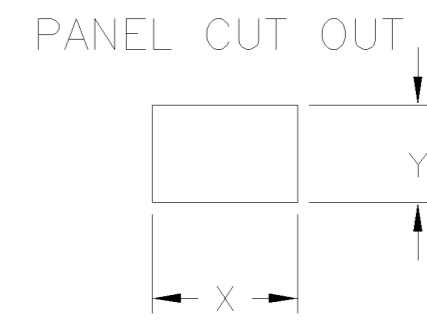
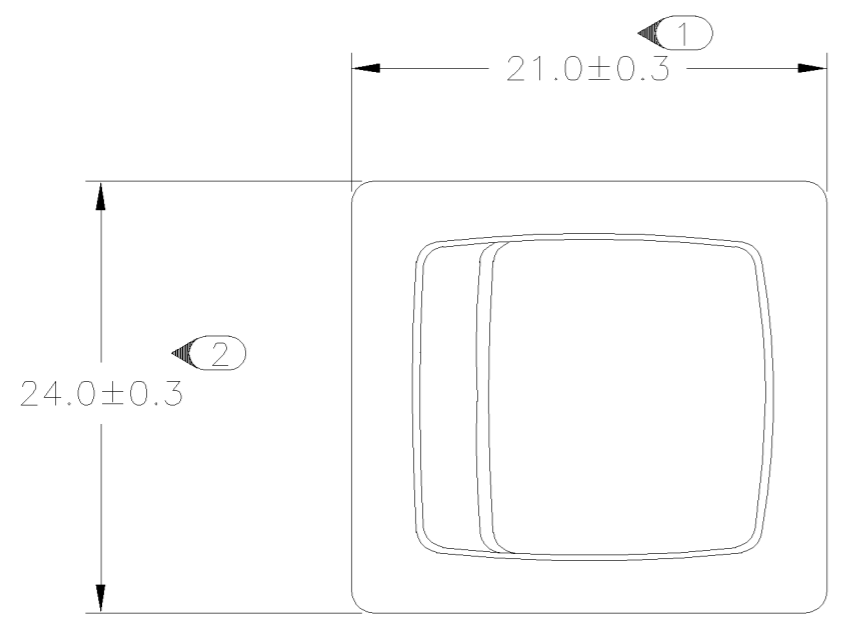


6 1634200-2 SHOWN ON-OFF

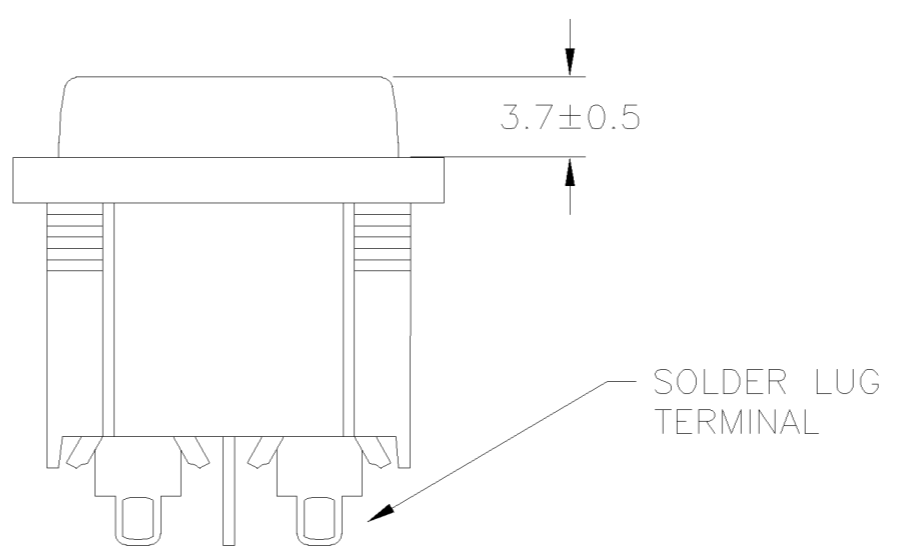
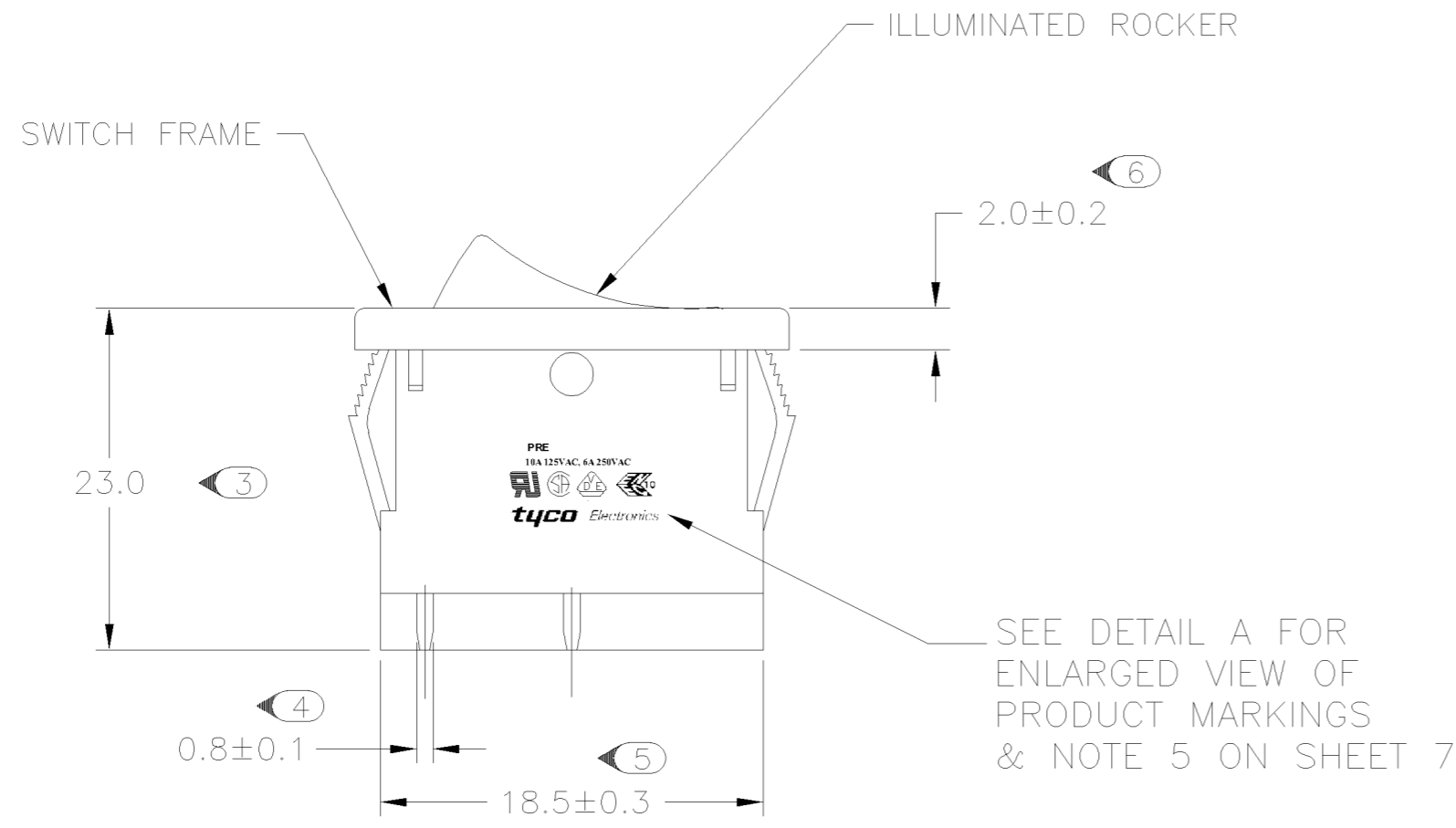
DIMENSIONS:		TOLERANCES UNLESS OTHERWISE SPECIFIED:		THIS DRAWING IS A CONTROLLED DOCUMENT.		DWN		16JAN2003		tyco Electronics		Tyco Electronics Corporation	
MM		0 PLC	± -	16JAN2003	S.SHACKSON	NAME		POWER ROCKER SWITCH, 19.4mm X 22.2mm		Harrisburg, PA 17057		RESTRICTED TO	
		1 PLC	± 0.5	16JAN2003	H.KAUTZ	PRODUCT SPEC		PANEL CUT-OUT SIZE, DOUBLE POLE, SINGLE THROW, NON-ILLUMINATED		SCALE		SHEET	
		2 PLC	± -	16JAN2003	H.KAUTZ	APPLICATION SPEC		NOT APPLICABLE		3:1		1 OF 7	
		3 PLC	± -	16JAN2003	H.KAUTZ	WEIGHT		NOT APPLICABLE		A2		REV	
		4 PLC	± -	16JAN2003	H.KAUTZ	CUSTOMER DRAWING		NOT APPLICABLE		00779		B	
		ANGLES	± -	16JAN2003	H.KAUTZ	SCALE		3:1		C=1634200		REV	
		FINISH	± -	16JAN2003	H.KAUTZ	SHEET		3:1		1 OF 7		REV	

THIS DRAWING IS UNPUBLISHED. RELEASED FOR PUBLICATION 30/OCT ,2003.
 © COPYRIGHT 2003 BY TYCO ELECTRONICS CORPORATION. ALL RIGHTS RESERVED.

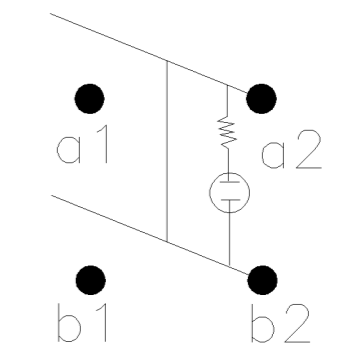
LOC	DIST	REVISIONS			
P	LTR	DESCRIPTION	DATE	DWN	APVD
-	-	SEE SHEET 1	-	-	-



2.00-3.00	20.20	22.20
1.25-2.00	19.60	22.20
0.75-1.25	19.40	22.20
PANEL THICKNESS	X	Y



CIRCUIT DIAGRAM



PRODUCT MARKING
DETAIL A

PRE
10A 125VAC, 6A 250VAC

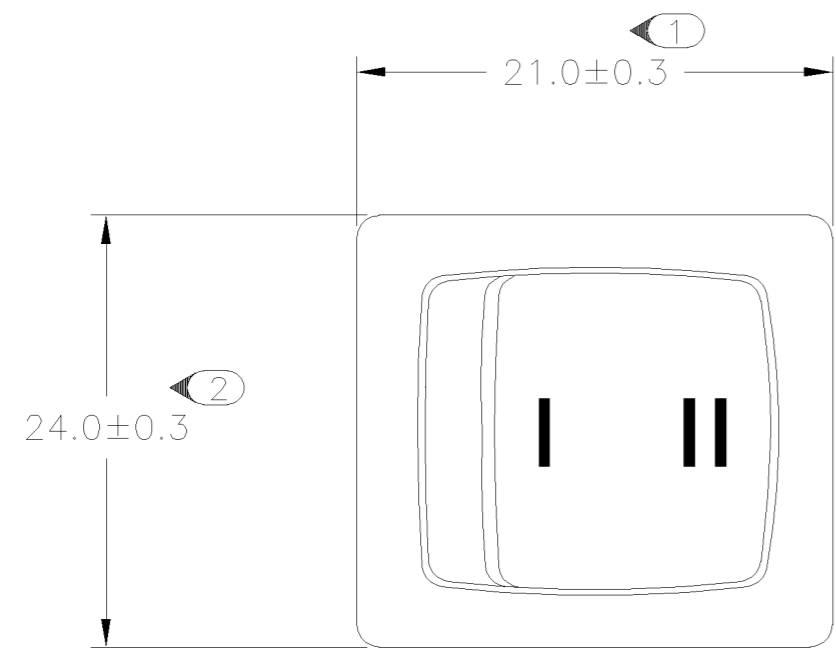
tyco Electronics

7 1634200-8 SHOWN ON-OFF ILLUMINATED

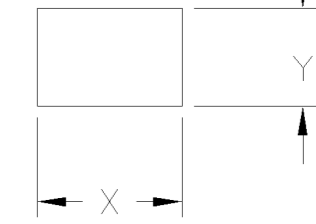
THIS DRAWING IS A CONTROLLED DOCUMENT.		DWN S.SHACKSON 16JAN2003	tyco Electronics Tyco Electronics Corporation Harrisburg, PA 17057	
DIMENSIONS: MM	TOLERANCES UNLESS OTHERWISE SPECIFIED:	CHK H.KAUTZ 16JAN2003	NAME POWER ROCKER SWITCH, 19.4mm X 22.2mm PANEL CUT-OUT SIZE, DOUBLE POLE, SINGLE THROW, ILLUMINATED	
	0 PLC ± - 1 PLC ± 0.5 2 PLC ± - 3 PLC ± - 4 PLC ± - ANGLES ± - FINISH	APVD H.KAUTZ 16JAN2003	APPLICATION SPEC NOT APPLICABLE	RESTRICTED TO -
MATERIAL	1	PRODUCT SPEC NOT APPLICABLE	SIZE A2	CAGE CODE 00779
	2	WEIGHT -	DRAWING NO C=1634200	SCALE 3:1
CUSTOMER DRAWING			SHEET 2 OF 7	REV B

THIS DRAWING IS UNPUBLISHED. RELEASED FOR PUBLICATION 30/OCT ,2003.
 © COPYRIGHT 2003 BY TYCO ELECTRONICS CORPORATION. ALL RIGHTS RESERVED.

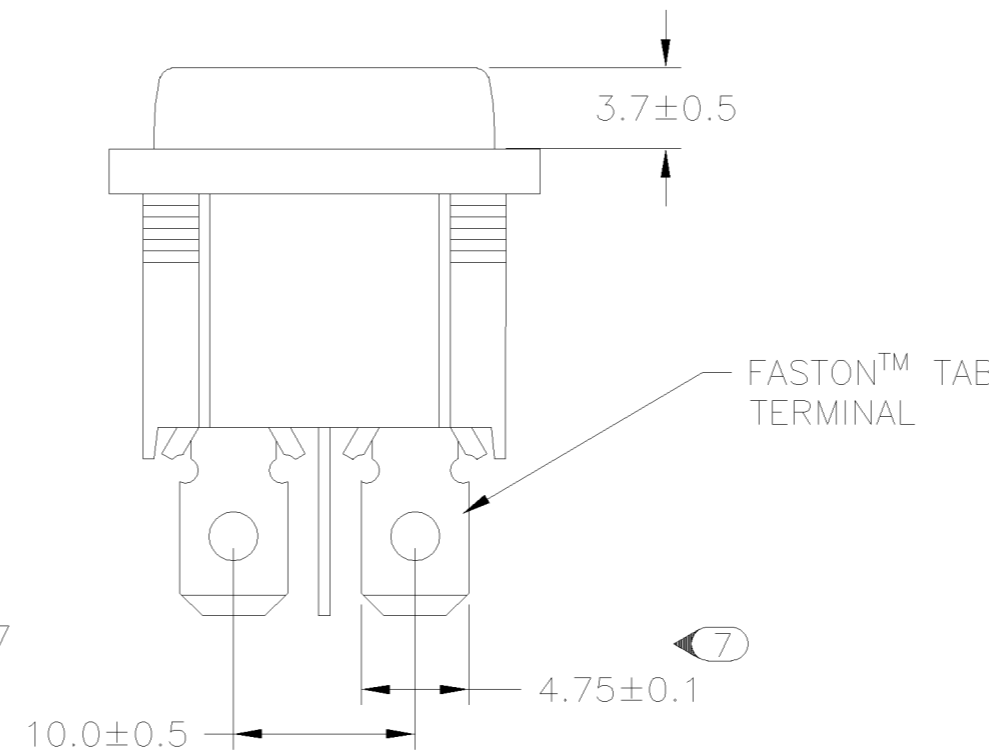
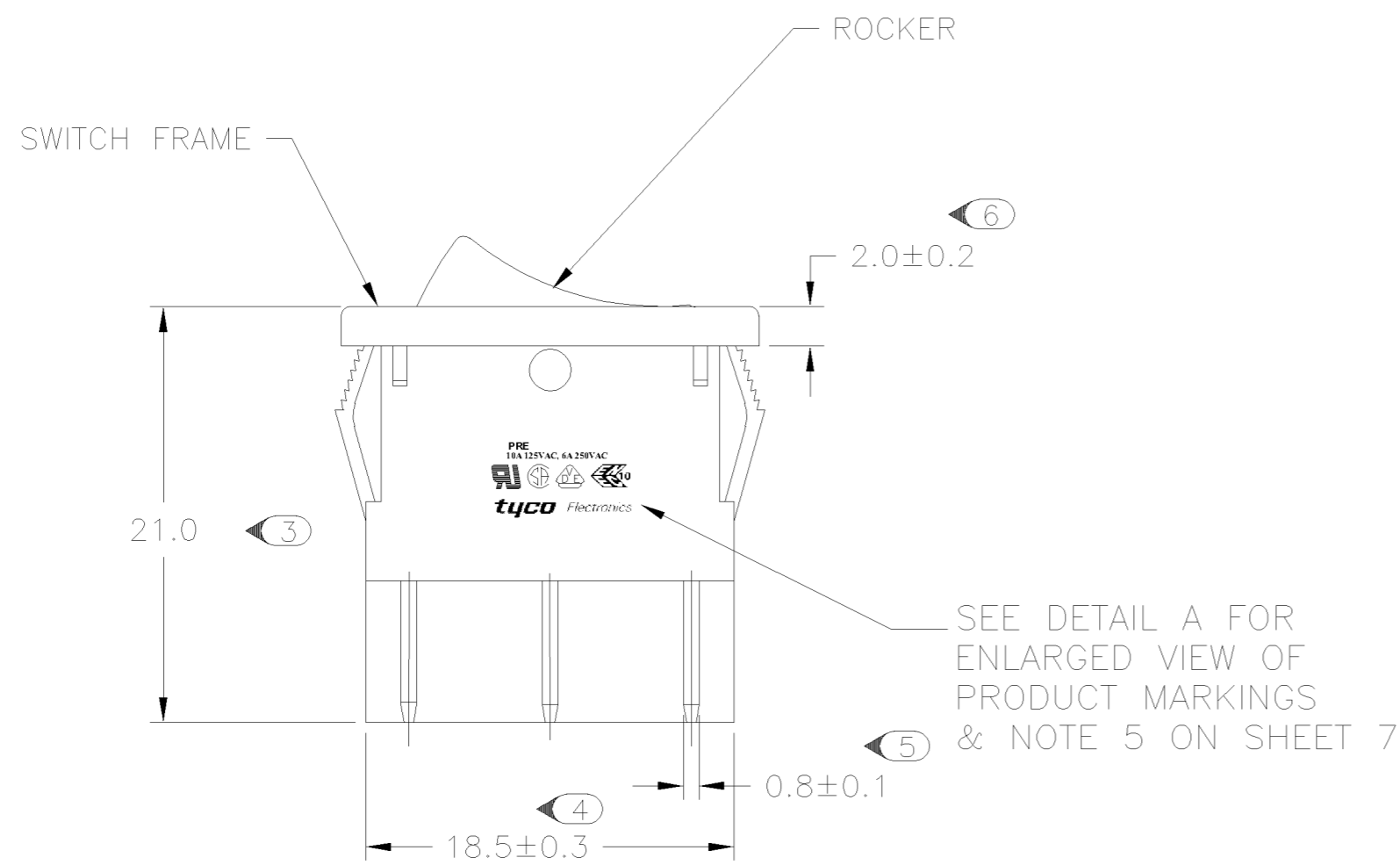
LOC		DIST		REVISIONS			
P	LTR	DESCRIPTION	DATE	DWN	APVD		
-	-	SEE SHEET 1	-	-	-		



PANEL CUT OUT

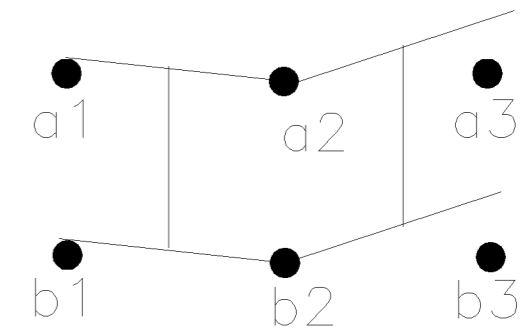


2.00-3.00	20.20	22.20
1.25-2.00	19.60	22.20
0.75-1.25	19.40	22.20
PANEL THICKNESS	X	Y



SEE DETAIL A FOR ENLARGED VIEW OF PRODUCT MARKINGS & NOTE 5 ON SHEET 7

CIRCUIT DIAGRAM



**PRODUCT MARKING
DETAIL A**

**PRE
10A 125VAC, 6A 250VAC**

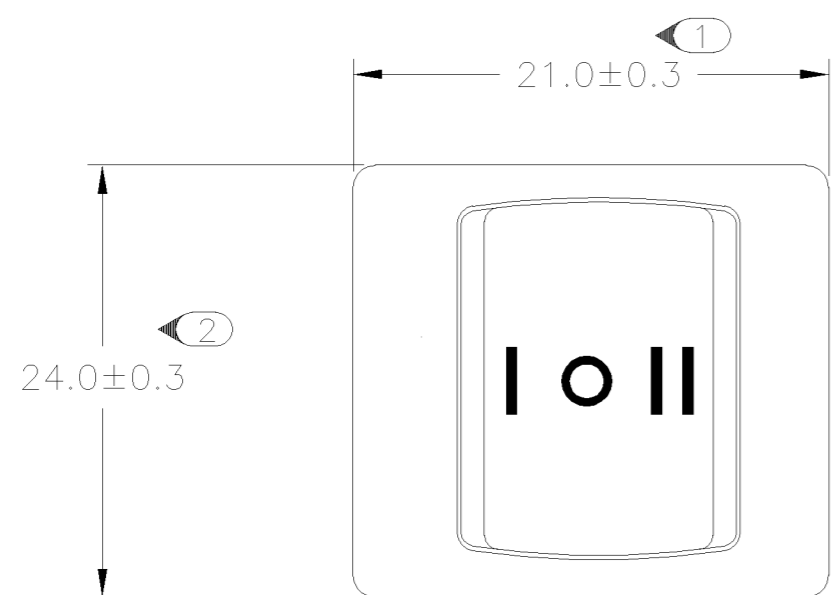
tyco Electronics

8 1-1634200-2 SHOWN ON-ON

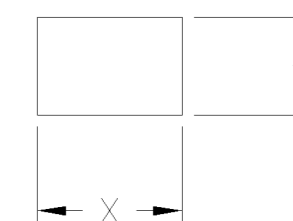
THIS DRAWING IS A CONTROLLED DOCUMENT.		DWN S.SHACKSON 16JAN2003	tyco Electronics Tyco Electronics Corporation Harrisburg, PA 17057	
DIMENSIONS: MM	TOLERANCES UNLESS OTHERWISE SPECIFIED:	CHK H.KAUTZ 16JAN2003	NAME H.KAUTZ 16JAN2003	
	0-PLC ± -	APVD H.KAUTZ 16JAN2003	PRODUCT SPEC POWER ROCKER SWITCH, 19.4mm X 22.2mm PANEL CUT-OUT SIZE, DOUBLE POLE, NON-ILLUMINATED	
	1-PLC ± 0.5	APPLICATION SPEC	SIZE A2	CAGE CODE 00779
MATERIAL	FINISH	WEIGHT -	DRAWING NO C=1634200	RESTRICTED TO -
		CUSTOMER DRAWING	SCALE 3:1	SHEET 3 OF 7
			REV B	

THIS DRAWING IS UNPUBLISHED. RELEASED FOR PUBLICATION 30/OCT ,2003.
 © COPYRIGHT 2003 BY TYCO ELECTRONICS CORPORATION. ALL RIGHTS RESERVED.

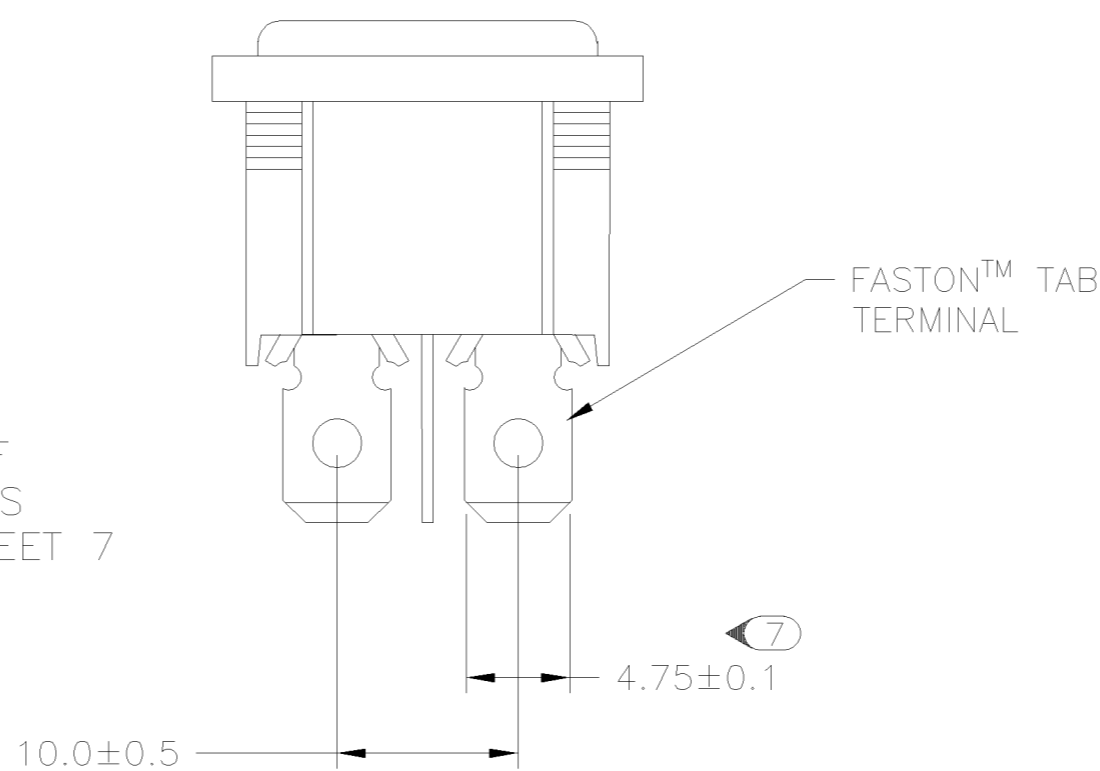
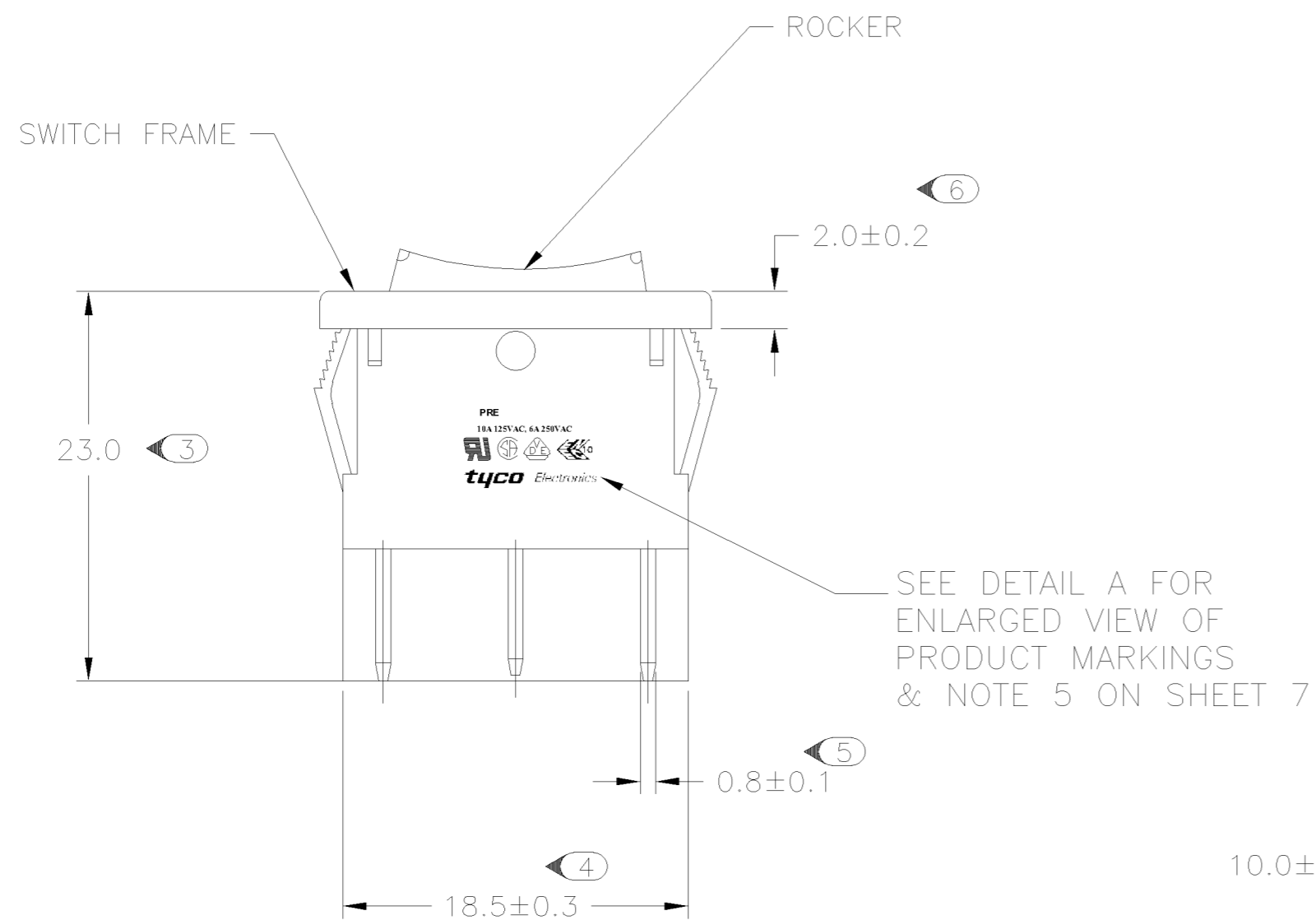
LOC		DIST		REVISIONS			
P	LTR	DESCRIPTION	DATE	DWN	APVD		
-	-	SEE SHEET 1	-	-	-		



PANEL CUT OUT

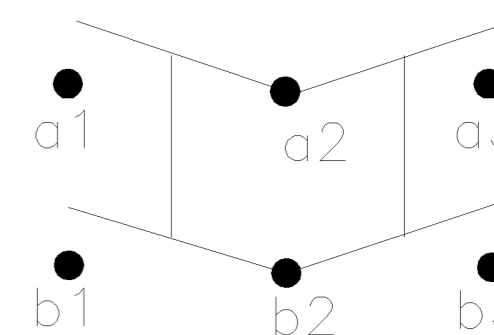


2.00-3.00	20.20	22.20
1.25-2.00	19.60	22.20
0.75-1.25	19.40	22.20
PANEL THICKNESS	X	Y



SEE DETAIL A FOR ENLARGED VIEW OF PRODUCT MARKINGS & NOTE 5 ON SHEET 7

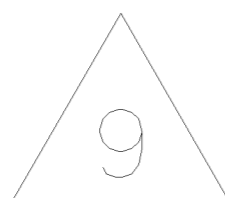
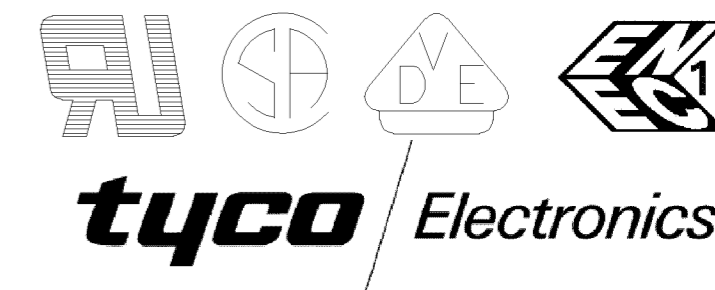
CIRCUIT DIAGRAM



PRODUCT MARKING

DETAIL A

PRE
10A 125VAC, 6A 250VAC

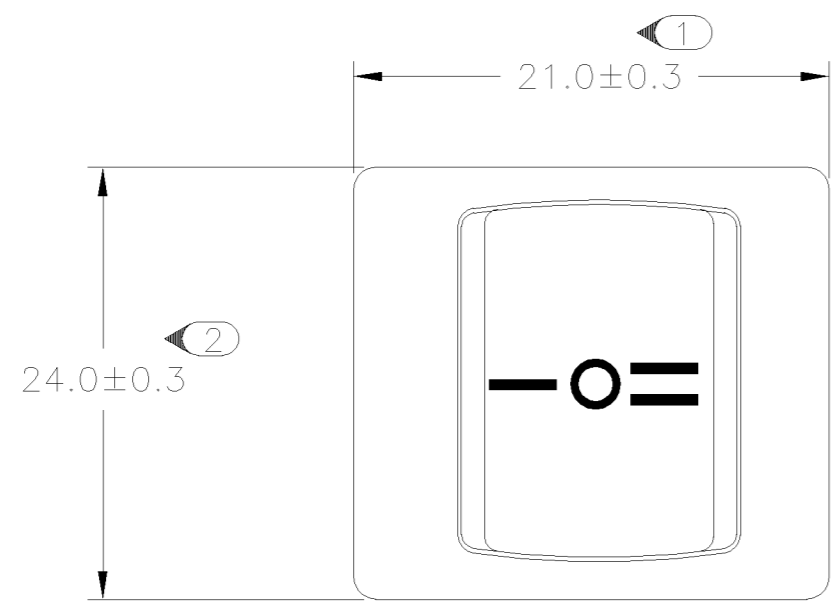


1-1634200-7 SHOWN ON-OFF-ON

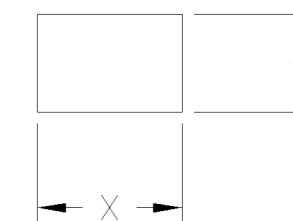
THIS DRAWING IS A CONTROLLED DOCUMENT.		DWN S.SHACKSON 16JAN2003	tyco Electronics Tyco Electronics Corporation Harrisburg, PA 17057	
DIMENSIONS: MM	TOLERANCES UNLESS OTHERWISE SPECIFIED:	CHK H.KAUTZ 16JAN2003	NAME POWER ROCKER SWITCH, 19.4mm X 22.2mm PANEL CUT-OUT SIZE, DOUBLE POLE, NON-ILLUMINATED	
	0-PLC ± -	APVD H.KAUTZ 16JAN2003	SIZE A2	CAGE CODE 00779
	1-PLC ± 0.5	PRODUCT SPEC	DRAWING NO C=1634200	RESTRICTED TO -
MATERIAL	FINISH	APPLICATION SPEC	SCALE 3:1	SHEET 4 OF 7
1	2	NOT APPLICABLE	REV B	
CUSTOMER DRAWING		WEIGHT -		

THIS DRAWING IS UNPUBLISHED. RELEASED FOR PUBLICATION 30/OCT , 2003.
 © COPYRIGHT 2003 BY TYCO ELECTRONICS CORPORATION. ALL RIGHTS RESERVED.

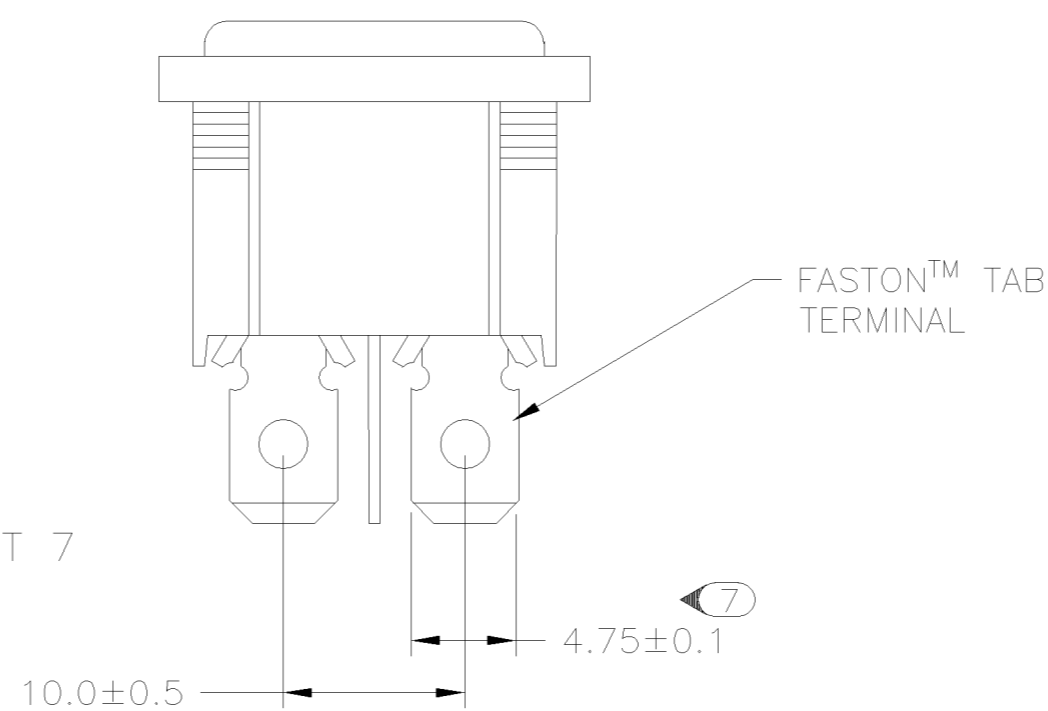
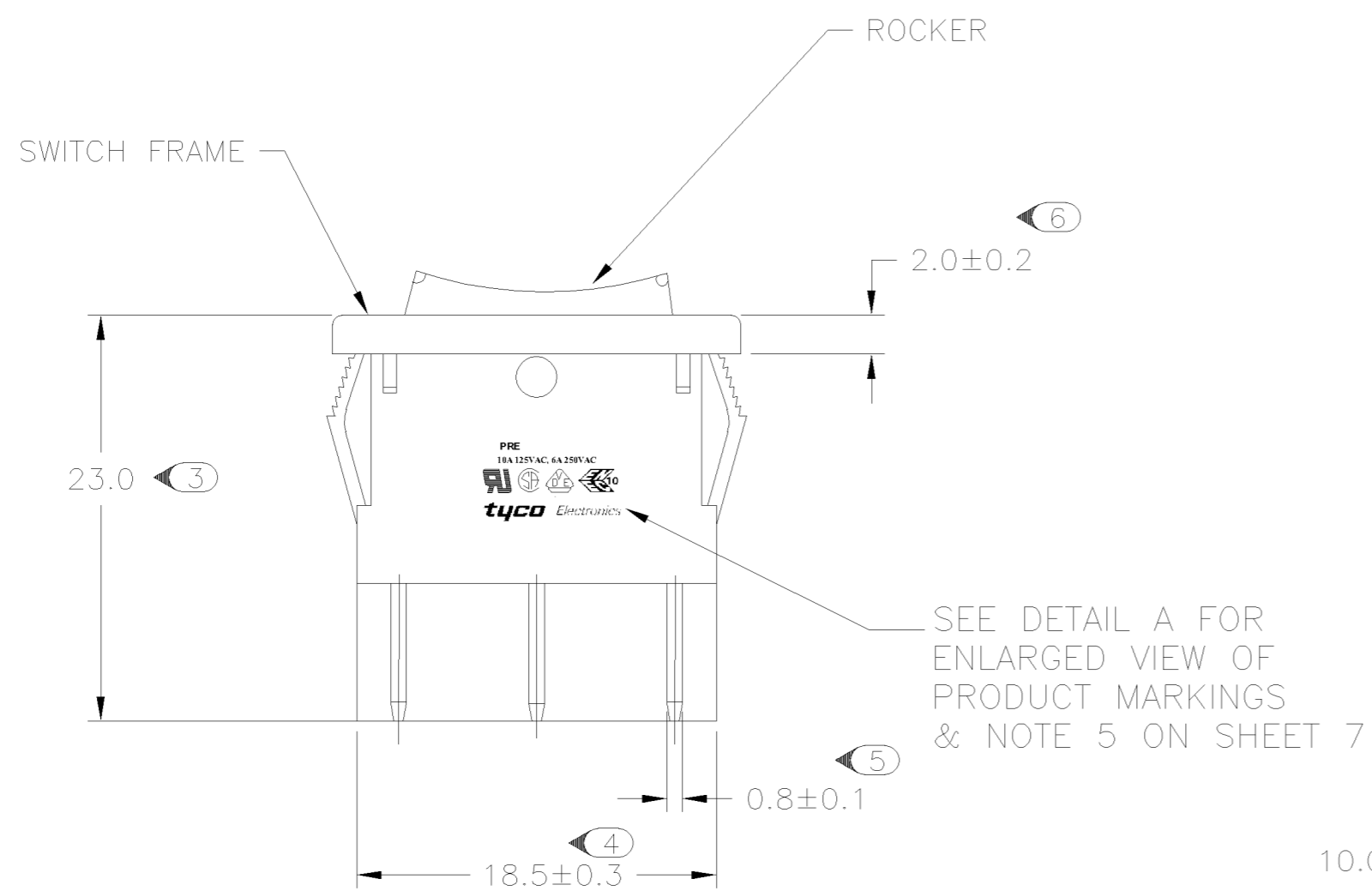
LOC		DIST		REVISIONS			
P	LTR	DESCRIPTION	DATE	DWN	APVD		
-	-	SEE SHEET 1	-	-	-		



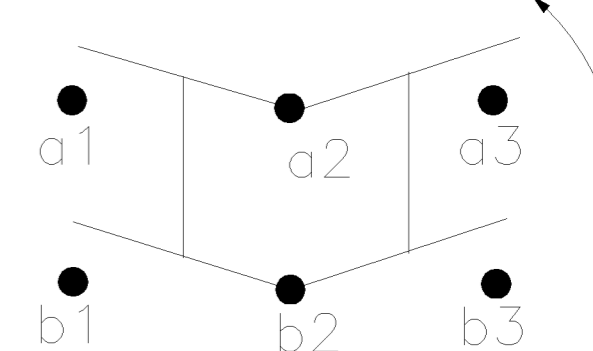
PANEL CUT OUT



2.00-3.00	20.20	22.20
1.25-2.00	19.60	22.20
0.75-1.25	19.40	22.20
PANEL THICKNESS	X	Y

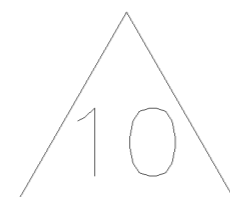
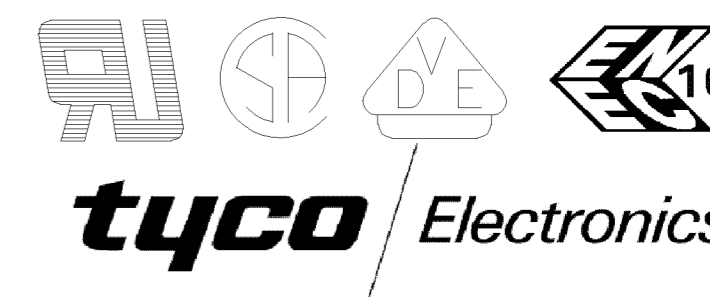


CIRCUIT DIAGRAM



PRODUCT MARKING
DETAIL A

PRE
10A 125VAC, 6A 250VAC

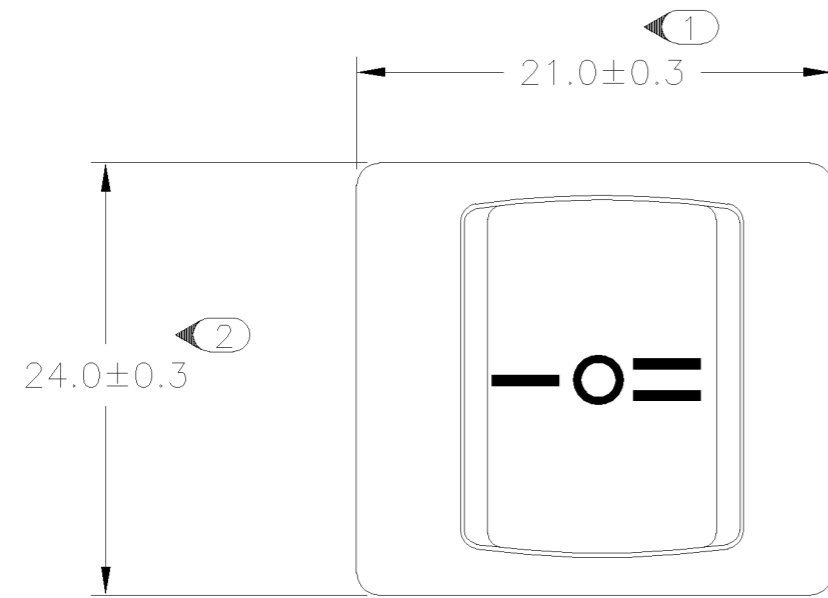


2-1634200-3 SHOWN ON-OFF-(ON)

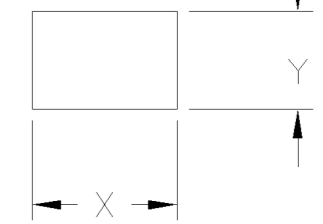
THIS DRAWING IS A CONTROLLED DOCUMENT.		DWN S.SHACKSON 16JAN2003	tyco Tyco Electronics Corporation	
DIMENSIONS: MM		CHK H.KAUTZ 16JAN2003	Electronics Harrisburg, PA 17057	
TOLERANCES UNLESS OTHERWISE SPECIFIED:		APVD H.KAUTZ 16JAN2003	NAME	
0-PLC ± -	1-PLC ± 0.5	PRODUCT SPEC	POWER ROCKER SWITCH, 19.4mm X 22.2mm	
2-PLC ± -	3-PLC ± -	APPLICATION SPEC	PANEL CUT-OUT SIZE, DOUBLE POLE,	
4-PLC ± -	ANGLES ± -	FINISH	NON-ILLUMINATED	
MATERIAL	FINISH	WEIGHT	SIZE A2	RESTRICTED TO
1	2	-	CAGE CODE 00779	-
CUSTOMER DRAWING			SCALE 3:1	SHEET 5 OF 7
			DRAWING NO. C=1634200	REV B

THIS DRAWING IS UNPUBLISHED. RELEASED FOR PUBLICATION 30/OCT ,2003.
 © COPYRIGHT 2003 BY TYCO ELECTRONICS CORPORATION. ALL RIGHTS RESERVED.

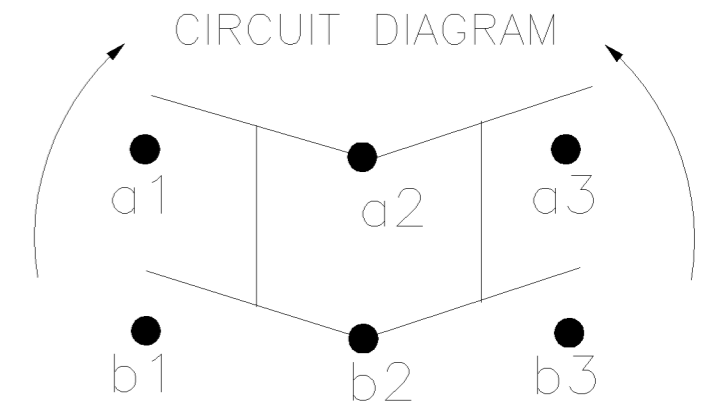
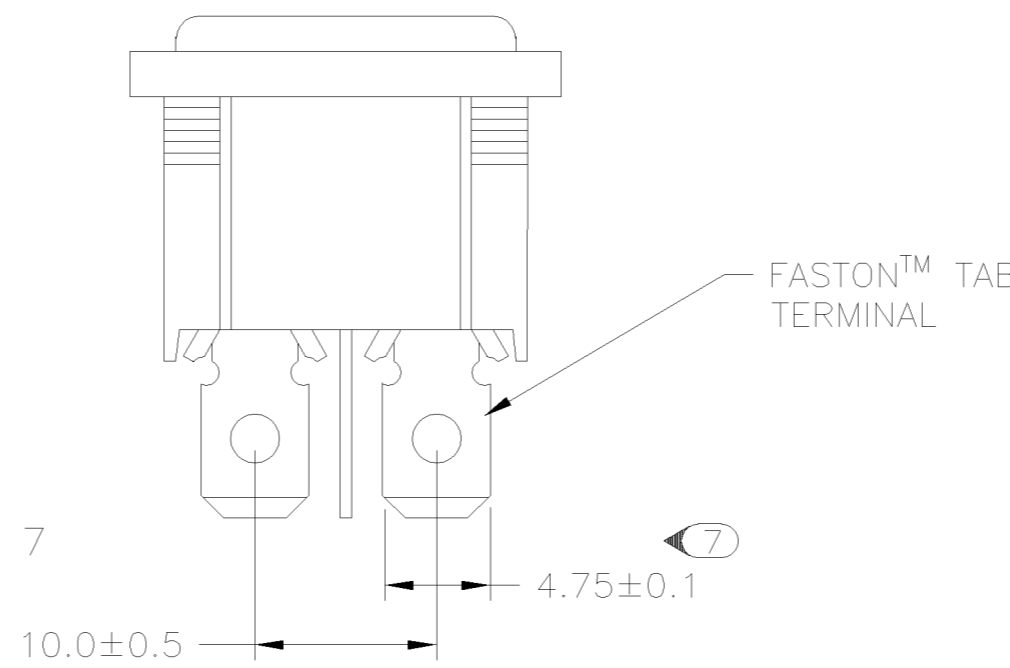
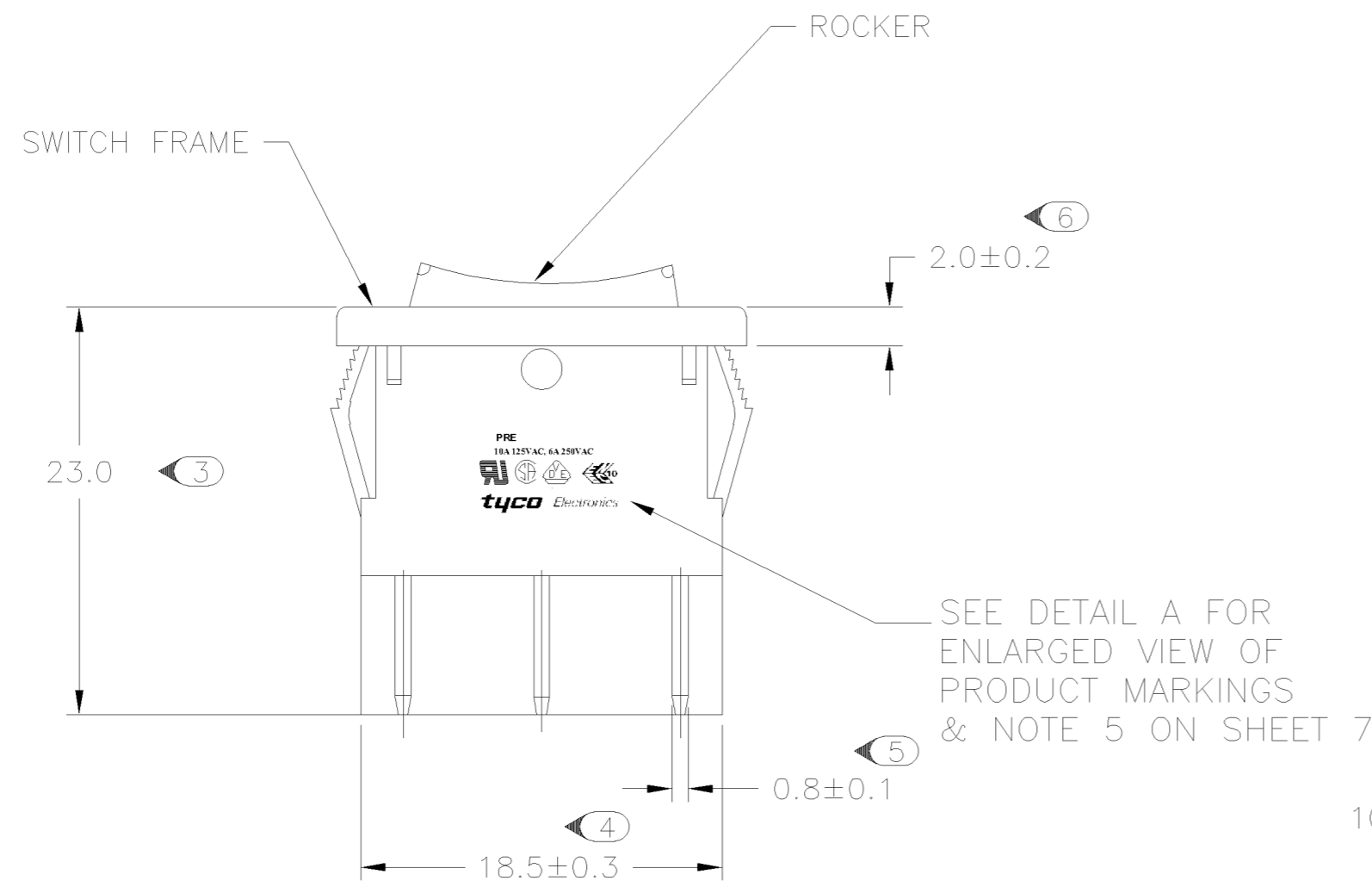
LOC		DIST		REVISIONS			
P	LTR	DESCRIPTION	DATE	DWN	APVD		
-	-	SEE SHEET 1	-	-	-		



PANEL CUT OUT

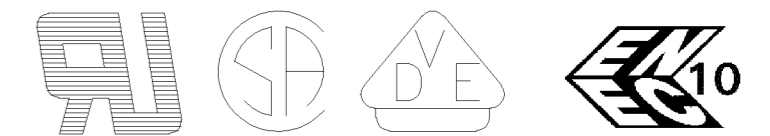


2.00-3.00	20.20	22.20
1.25-2.00	19.60	22.20
0.75-1.25	19.40	22.20
PANEL THICKNESS	X	Y



**PRODUCT MARKING
DETAIL A**

**PRE
10A 125VAC, 6A 250VAC**



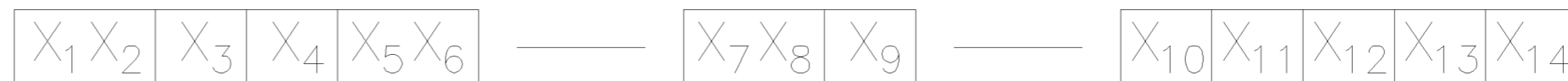
tyco Electronics

11 2-1634200-6 SHOWN (ON)-OFF-(ON)

THIS DRAWING IS A CONTROLLED DOCUMENT.		DWN S.SHACKSON 16JAN2003	tyco Tyco Electronics Corporation Harrisburg, PA 17057	
DIMENSIONS: MM		CHK H.KAUTZ 16JAN2003	NAME POWER ROCKER SWITCH, 19.4mm X 22.2mm PANEL CUT-OUT SIZE, DOUBLE POLE, NON-ILLUMINATED	
TOLERANCES UNLESS OTHERWISE SPECIFIED: 0-PLC ± - 1-PLC ± 0.5 2-PLC ± - 3-PLC ± - 4-PLC ± - ANGLES ± - FINISH		APVD K.KAUTZ 16JAN2003	RESTRICTED TO	
MATERIAL		PRODUCT SPEC NOT APPLICABLE	SIZE A2	CAGE CODE 00779
1		APPLICATION SPEC NOT APPLICABLE	DRAWING NO C=1634200	
2		WEIGHT -	SCALE 3:1	
		CUSTOMER DRAWING		SHEET 6 OF 7 REV B

LOC	DIST	REVISIONS					
E	B	P	LTR	DESCRIPTION	DATE	DWN	APVD
		-		SEE SHEET 1	-	-	-

ALCOSWITCH PART NUMBER



1 MATERIALS:
 HOUSING FRAME: NYLON 66.
 ACTUATOR: NYLON 66/ PC(ILLUMINATED)
 TERMINALS C1100R-1/2H WITH SILVER PLATED CONTACTS
 AgALLOY

2 FINISH:
 TERMINAL, ACTIVE CONTACTOR: 1.0µm [.000039] SILVER
 PLUNGER: 3.0µm[.000118] NICKEL

3. ELECTRICAL SPECIFICATIONS:
 CONTACT RESISTANCE : 50m ohm Max
 DIELECTRIC STRENGTH : AC 1500V, 1 MINUTE
 OPERATION TEMPERATURE: -20°C~85°C
 INSULATION R: DC 500V 100M ohm MIN

4 CURRENT AND VOLTAGE 10A@125VAC/6A@250VAC

5. ELECTRICAL RATINGS, APPROVED AGENCY LOGOS, TYCOELECTRONICS
 LOGO AND PART NUMBER CAN APPEAR ON EITHER SIDE. (FOR FULL
 DETAIL SEE INDIVIDUAL DRAWING)

6 ON-OFF, WITH OPAQUE, SINGLE-COLOR ROCKER BUTTON.

7 ON-OFF, WITH TRANSPARENT, LAMP-ILLUMINATED ROCKER BUTTON.

8 ON-ON, WITH OPAQUE, SINGLE-COLOR ROCKER BUTTON.

9 ON-OFF-ON, WITH OPAQUE, SINGLE-COLOR ROCKER BUTTON.

10 ON-OFF-(ON), WITH OPAQUE, SINGLE-COLOR ROCKER BUTTON.

11 (ON)-OFF-(ON), WITH OPAQUE, SINGLE-COLOR ROCKER BUTTON.

12. REFER TO QIP DIMENSIONAL REPORT

SWITCH TYPE: X1X2 = PR - POWER ROCKER

NOMINAL PANEL CUT OUT SIZE: X3 = E - 19.4X22.2 [.764x.874]

NUMBER OF POLES: X4 = D - DOUBLE

SWITCH FUNCTION: X5X6 =

A1	-	
B1	-	
D1	-	
D3	-	
D4	-	
D5	-	

CURRENT RATING: X7X8 = OZ -

TERMINAL TYPE: X9 = E - FASTON™ TAB
 L - SOLDER LUG

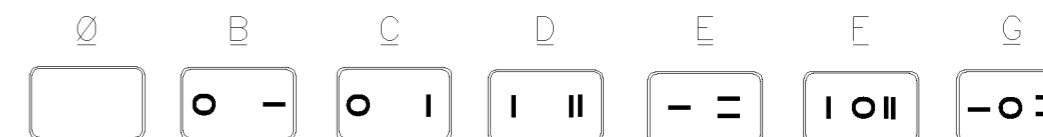
FRAME COLOR: X10 = B - BLACK
 W - WHITE

ROCKER COLOR: X11 = B - BLACK
 G - GREEN
 R - RED
 W - WHITE

SECONDARY ROCKER COLOR: X12 = Ø - NOT APPLICABLE

B - BLACK
 G - GREEN
 R - RED
 W - WHITE

LEGEND TEXT PATTERN: X13 =



LEGEND TEXT COLOR: X14 = Ø - NOT APPLICABLE

G - GREEN
 R - RED
 B - BLACK
 W - WHITE

1	PREDA1-07F-BB000	1634200-1
1	PREDA1-07F-BB0BW	1634200-2
1	PREDA1-07F-BB0CW	1634200-3
1	PREDA1-07L-BB000	1634200-4
1	PREDA1-07L-BB0BW	1634200-5
1	PREDA1-07L-BB0CW	1634200-6
2	PREDB1-07F-BR000	1634200-7
2	PREDB1-07L-BR000	1634200-8
2	PREDB1-07F-BG000	1634200-9
2	PREDB1-07L-BG000	1-1634200-0
3	PREDD1-07F-BB000	1-1634200-1
3	PREDD1-07F-BB0DW	1-1634200-2
3	PREDD1-07F-BB0EW	1-1634200-3
3	PREDD1-07L-BB000	1-1634200-4
3	PREDD1-07L-BB0DW	1-1634200-5
3	PREDD1-07L-BB0EW	1-1634200-6
4	PREDD3-07F-BB0FW	1-1634200-7
4	PREDD3-07F-BB0GW	1-1634200-8
4	PREDD3-07L-BB0FW	1-1634200-9
4	PREDD3-07L-BB0GW	2-1634200-0
5	PREDD4-07F-BB000	2-1634200-1
5	PREDD4-07F-BB0FW	2-1634200-2
5	PREDD4-07F-BB0GW	2-1634200-3
6	PREDD5-07F-BB000	2-1634200-4
6	PREDD5-07F-BB0FW	2-1634200-5
6	PREDD5-07F-BB0GW	2-1634200-6
SHEET REF	ALCOSWITCH PART NUMBER.	TYCO PART NUMBER.

THIS DRAWING IS A CONTROLLED DOCUMENT.		DWN S.SHACKSON 16JAN2003	tyco Tyco Electronics Corporation	
DIMENSIONS: MM		CHK H.KAUTZ 16JAN2003	Harrisburg, PA 17057	
TOLERANCES UNLESS OTHERWISE SPECIFIED:		APVD K.KAUTZ 16JAN2003	NAME POWER ROCKER SWITCH, 19.4mm X 22.2mm	
0 PLC ± -		PRODUCT SPEC	NOT APPLICABLE	
1 PLC ± 0.30[.012]		APPLICATION SPEC	NOT APPLICABLE	
2 PLC ± 0.05[.002]		SIZE	CAGE CODE	DRAWING NO
3 PLC ± -		WEIGHT	A2	00779
4 PLC ± -		SCALE	3:1	SHEET 7 OF 7
ANGLES ± -		REV	B	
FINISH		CUSTOMER DRAWING	C=1634200	