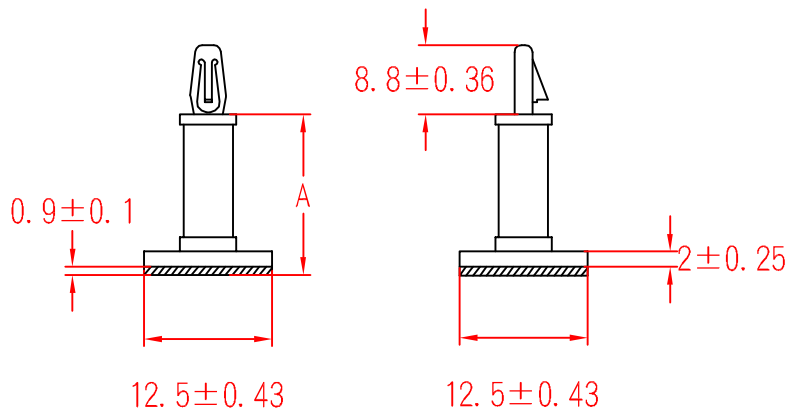


# MMR TYPE

To fit 3.2mm hole  
chassis 1.6mm



Item NO.	A mm
MMR-5	4.8±0.3
MMR-6	6.4±0.36
MMR-8	7.9±0.36
MMR-9	9.5±0.36
MMR-11	11.1±0.43
MMR-13	12.7±0.43
MMR-14	14.3±0.43
MMR-16	15.9±0.43

		MATERIAL: UL 94V-2		ITEM NO.	
		NYLON 66		MMR TYPE	
SCALE		FINISH	NAME: ADHESIVE PCB SUPPORT		
△	(. .)	TOLERANCE AS FIGURE		△	06-20-2008
				DATE	REVISIONS K001
					R.NO.

