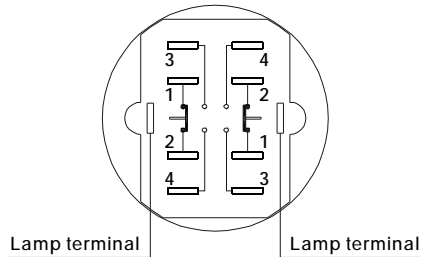


# Datasheet

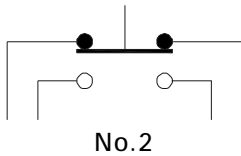
Item no. 1272990/ 1272992/ 1272993/ 1272995/ 701790/ 701946/ 701803 V1\_0717\_01\_en

## ANTI-VANDAL PUSHBUTTONS

### Terminal Arrangement



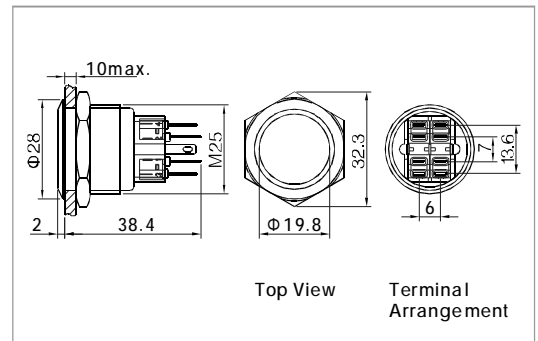
### Switching Operation



### PUSH BUTTON SWITCH



- ⊙  $\Phi$ 25mm diameter
- ⊙ 5A/250VAC
- ⊙ 1NO1NC/2NO2NC
- ⊙ The Front Shape: Flat Round
- ⊙ The crust material: Stainless Steel
- ⊙ IP Degree: IP65



1272990 : Push button switch, 25mm Dia.Flat head, Non-illuminated, Momentary, 1NO1NC, Stainless steel, Pin terminal, IP65

1272992 : Push button switch, 25mm Dia.Flat head, Non-illuminated, Latching, 1NO1NC, Stainless steel, Pin terminal, IP65

1272993 : Push button switch, 25mm Dia.Flat head, Non-illuminated, Momentary, 2NO2NC, Stainless steel, Pin terminal, IP65

1272995 : Push button switch, 25mm Dia.Flat head, Non-illuminated, Latching, 2NO2NC, Stainless steel, Pin terminal, IP65

# Datasheet

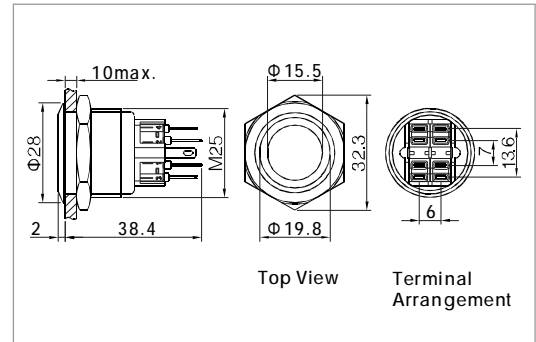
Item no. 1272990/ 1272992/ 1272993/ 1272995/ 701790/ 701946/ 701803 V1\_0717\_01\_en

## ANTI-VANDAL PUSHBUTTONS

### RING ILLUMINATED PUSH BUTTON SWITCH



- ⊙  $\Phi$ 25mm diameter
- ⊙ 5A/250VAC
- ⊙ 1NO1NC/2NO2NC
- ⊙ Ring illuminated
- ⊙ The crust material:Stainless Steel
- ⊙ IP Degree:IP65



701790 : Vandal proof push button, dia.25mm, 5A/250VAC, 1NO1NC, Momentary, Stainless steel crust, Pin terminal, Flat actuator, Ring illuminated, Blue 12V LED

701946 : Vandal proof push button, dia.25mm, 5A/250VAC, 1NO1NC, Momentary, Stainless steel crust, Pin terminal, Flat actuator, Ring illuminated, Green 12V LED

701803 : Vandal proof push button, dia.25mm, 5A/250VAC, 1NO1NC, Momentary, Stainless steel crust, Pin terminal, Flat actuator, Ring illuminated, Red 12V LED

# Datasheet

Item no. 1272990/ 1272992/ 1272993/ 1272995/ 701790/ 701946/ 701803 V1\_0717\_01\_en

## ANTI-VANDAL PUSHBUTTONS

Item no.	1272990 1272992 1272993 1272995	701790 701946 701803
The Front Shape	Flat Round	Flat Round
Terminal Type	Pin Terminal(2.8×0.5mm)	Pin Terminal(2.8×0.5mm)
Switching	No.2	No.2
Max. Switch Rating	5A/250VAC	5A/250VAC
Contact Resistance	≤50mΩ	≤50mΩ
Insulation Resistance	≥1000MΩ	≥1000MΩ
Dielectric Strength	2000VAC	2000VAC
Operation Temp.	-20°C ~ +70°C	-20°C ~ +70°C
Mechanical Life	1,000,000cycles	1,000,000cycles
Electrical Life	50,000 cycles	50,000 cycles
Contact Material	Silver Alloy	Silver Alloy
Panel Thickness	1 ~ 10mm	1 ~ 10mm
Torque	5 ~ 14Nm	5 ~ 14Nm
Operation Pressure	3 ~ 8N	3 ~ 8N
IP Degree	IP65	IP65
Material	Button	Stainless Steel
	Body	Stainless Steel
	Base	PA
RoHS	Yes	Yes
LED Spec.	Type	-
	Rated Voltage	-
	Color	-
	Life	-

This is a publication by Conrad Electronic SE, Klaus-Conrad-Str. 1, D-92240 Hirschau (www.conrad.com).

All rights including translation reserved. Reproduction by any method, e.g. photocopy, microfilming, or the capture in electronic data processing systems require the prior written approval by the editor. Reprinting, also in part, is prohibited. This publication represents the technical status at the time of printing.

© Copyright 2017 by Conrad Electronic SE.