



**SPECIFICATIONS**

• **CONSTRUCTION**

Sealed pushbutton switch. Rear mounting for easier installation, variable panel thickness.

• **MATERIALS**

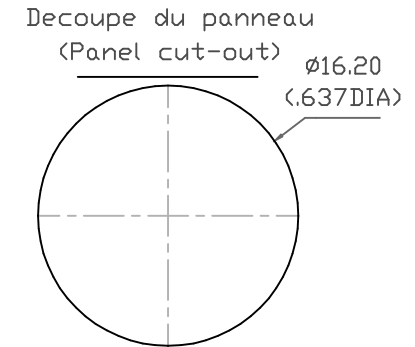
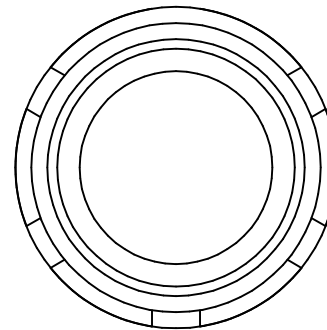
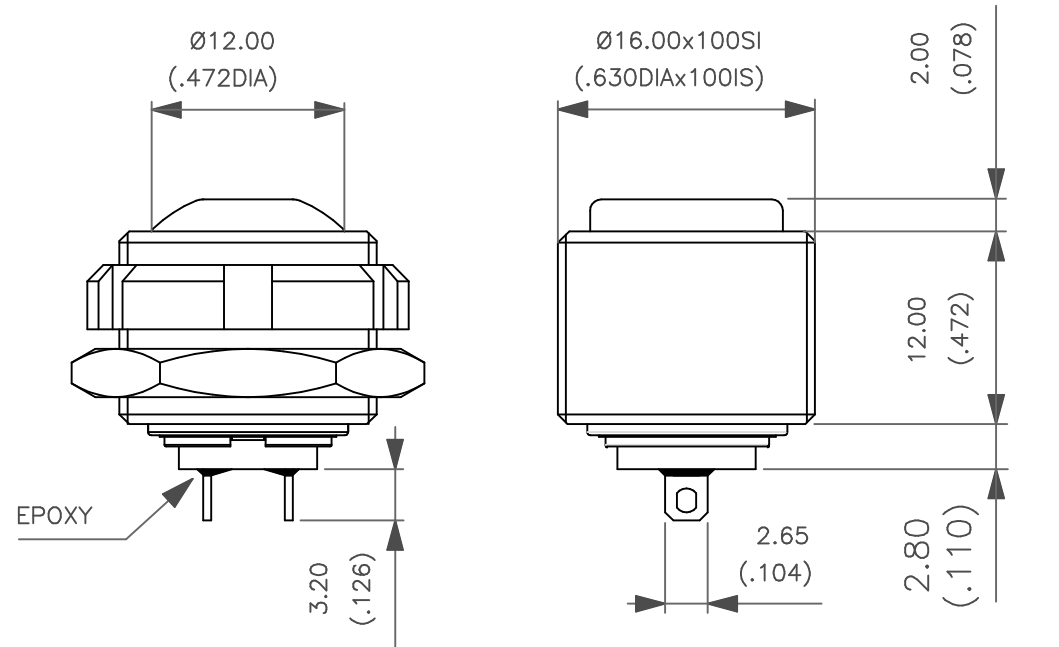
Case : PBT , UL94-V0  
 Plunger : Polyamide 6/6  
 Bushing/Collar : Brass, nickel plated  
 Contacts : Silver, gold plated

• **ELECTRICAL CHARACTERISTICS**

Electrical function : Normally open (NO)  
 Maximum ratings : 200mA 48VDC – 200mA 250VAC  
 Electrical life : 500 000 cycles minimum  
 Contact resistance : 100 milliohms Max  
 Insulation resistance: 1 Gigaohms min - 500 VDC  
 Dielectric strength : 1000 VAC rms 50Hz

• **MECHANICAL AND ENVIRONMENTAL CHARACTERISTICS**

Total travel : 1.8±0.3mm  
 Degree of protection : IP65  
 Robustness : IK06 according to EN 50102 (1 joule)  
 Temperature range : -40°C to +85°C  
 Panel thickness : 3mm



Replace the blank digit with the following color code

Code	1	2	3	4	5	6	7/1	8	9
Plunger Colour	Blue	Black	Green	Grey	Yellow	Red	White	Bright Chrome	Orange

MATERIAL: /	 <b>APEM</b> Unité INTERRUPTEURS 55,av E.HERRIOT BP 1 82303 CAUSSADE CEDEX Tél:05.63.93.14.98 - Télécopie:05.63.93.19.03	DRAWN: F.Ricard
TREATMENT: /		DATE : 28-01-2011
FINISH: /		CHECKED: D.Sire
Scale: 3		Reference: DIP029S
Code Nbr. /		
<b>PUSHBUTTON SWITCH</b>		
<b>IZMR3S4_N</b>		
Issue	Modifications	Date Name