

# Datasheet

Item no. 701872/ 701806/ 701847/ 701820/ 701835/ 701861/ 701848/ 701885/ 701821/ 701873

V1\_0717\_01\_en

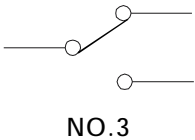
## TECHNICAL DESCRIPTION

### Lamp Ratings

Lamp Type	LED		
Rated Voltage	AC/DC6V	AC/DC12V	AC/DC24V
	AC/DC110V		AC/DC220V
Colours	<span style="color:red">R</span>	<span style="color:green">G</span>	<span style="color:yellow">Y</span> <span style="color:orange">O</span> <span style="color:blue">B</span> <span style="border:1px solid black; padding:0 2px;">W</span>
Life	About 40,000 hours		

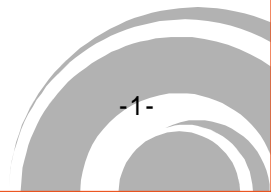
Note: There are protective resistor in the lamp, special voltage rate can be made to order.

### Switching Operation



### Soldering information

- ⦿ Handiwork soldering: Soldering iron 30W or under at 230°C for 3 sec max.



# Datasheet

Item no. 701872/ 701806/ 701847/ 701820/ 701835/ 701861/ 701848/ 701885/ 701821/ 701873

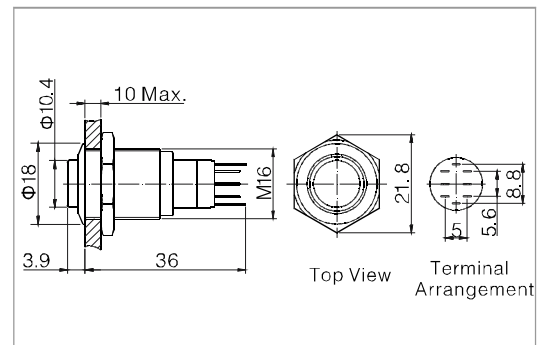
V1\_0717\_01\_en

## METAL PUSHBUTTONS

### RING ILLUMINATED PUSHBUTTON



- ⊙  $\Phi$  16mm diameter
- ⊙ 3A, 250VAC
- ⊙ 1NO1NC/2NO2NC
- ⊙ The Front Shape: High Round
- ⊙ Ring Illuminated
- ⊙ IP Degree: IP40/IP67
- ⊙ The crust material: Stainless Steel/  
Brass(Nikel Plated, Gold Plated)



701872 : Vandal proof push button, dia.16mm, 3A/250VAC, 1NO1NC, Alternate, Nickel-plated brass crust, Pin terminal, High actuator, Ring illuminated, Green 12V LED, IP67

701806 : Vandal proof push button, dia.16mm, 3A/250VAC, 1NO1NC, Alternate, Stainless Steel crust, Pin terminal, High actuator, Ring illuminated, Green 12V LED, IP67

701847 : Vandal proof push button, dia.16mm, 3A/250VAC, 1NO1NC, Alternate, Nickel-plated brass crust, Pin terminal, High actuator, Ring illuminated, Red 12V LED, IP67

701820 : Vandal proof push button, dia.16mm, 3A/250VAC, 1NO1NC, Alternate, Stainless Steel crust, Pin terminal, High actuator, Ring illuminated, Red 12V LED, IP67

701835 : Vandal proof push button, dia.16mm, 3A/250VAC, 2NO2NC, Alternate, Nickel-plated brass crust, Pin terminal, High actuator, Ring illuminated, Blue 12V LED, IP67

701861 : Vandal proof push button, dia.16mm, 3A/250VAC, 2NO2NC, Alternate, Stainless Steel crust, Pin terminal, High actuator, Ring illuminated, Blue 12V LED, IP67

701848 : Vandal proof push button, dia.16mm, 3A/250VAC, 2NO2NC, Alternate, Nickel-plated brass crust, Pin terminal, High actuator, Ring illuminated, Green 12V LED, IP67

701885 : Vandal proof push button, dia.16mm, 3A/250VAC, 2NO2NC, Alternate, Stainless Steel crust, Pin terminal, High actuator, Ring illuminated, Green 12V LED, IP67

701821 : Vandal proof push button, dia.16mm, 3A/250VAC, 2NO2NC, Alternate, Nickel-plated brass crust, Pin terminal, High actuator, Ring illuminated, Red 12V LED, IP67

701873 : Vandal proof push button, dia.16mm, 3A/250VAC, 2NO2NC, Alternate, Stainless Steel crust, Pin terminal, High actuator, Ring illuminated, Red 12V LED, IP67

# Datasheet

Item no. 701872/ 701806/ 701847/ 701820/ 701835/ 701861/ 701848/ 701885/ 701821/ 701873

V1\_0717\_01\_en

## METAL PUSHBUTTONS

Item no.		701872	701806	701847
		701820	701835	701861
		701848	701885	701821
		701873		
The Front Shape		Flat Round High Round		
Terminations		Soldering(Pin Terminal)		
Switching		NO.3		
Max. Switch Rating		3A/250VAC		
Contact Resistance		≤50mΩ		
Insulation Resistance		≥1000MΩ		
Dielectric Strength		2000VAC		
Operating Temp.		- 20°C ~ + 70°C		
Mechanical life		1,000,000 cycles		
Electrical life		50,000 cycles		
Contact material		Silver Alloy		
Panel Thickness		1 ~ 10mm		
Torque		5 ~ 14Nm		
Operation Pressure		5.5N		
IP Degree		IP40/IP67		
Material	Button	Stainless Steel/Brass(Nikel Plated, Gold Plated)		
	Body	Stainless Steel/Brass(Nikel Plated, Gold Plated)		
	Base	PBT		
	RoHS	Yes		
LED Spec:	Type	Ring Illuminated(LED)		
	Rated Voltage	6V / 12V / 24V / 110V / 220V		
	Color	<span style="color:red">R</span> <span style="color:green">G</span> <span style="color:yellow">Y</span> <span style="color:orange">O</span> <span style="color:blue">B</span> <span style="border:1px solid black; padding:0 2px;">W</span>		
	Life	40,000 hours		

This is a publication by Conrad Electronic SE, Klaus-Conrad-Str. 1, D-92240 Hirschau (www.conrad.com).

All rights including translation reserved. Reproduction by any method, e.g. photocopy, microfilming, or the capture in electronic data processing systems require the prior written approval by the editor. Reprinting, also in part, is prohibited. This publication represents the technical status at the time of printing.

© Copyright 2017 by Conrad Electronic SE.