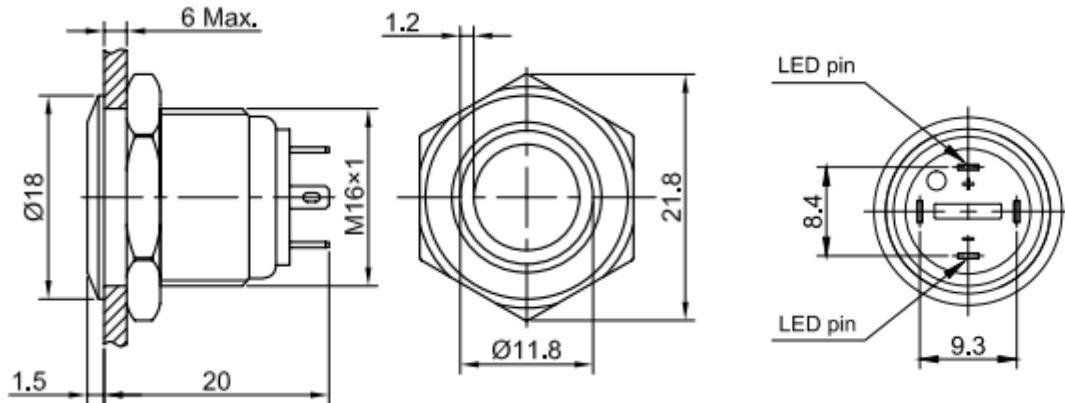


# Data Sheet

## Push button switch

Version 06/22



6 MAX: means the panel thickness, the max thickness for the panel no more than 6mm.

### Specification

|  |                 |
|--|-----------------|
| Mounting diameter.....                 | 16 mm           |
| Head shape.....                        | Flat round head |
| Operation type.....                    | Momentary       |
| Contact structure.....                 | 1NO             |
| Switch rating.....                     | 2A/48VDC        |
| Illumination type.....                 | Ring            |
| Terminal.....                          | Soldering Pins  |
| Body material.....                     | Stainless steel |
| Operating and storage temperature..... | -25 to +55°C    |
| Operating and storage humidity.....    | 45 to 85 % RH   |
| Base material.....                     | PA              |
| IP rating.....                         | IP65            |

| BN     | LED color | LED voltage                   |
|--------|-----------|-------------------------------|
| 701868 | Red       | 12 V (with external resistor) |
| 701855 | Blue      | 12 V (with external resistor) |
| 701880 | Green     | 12 V (with external resistor) |