

# Datasheet

Item no. 701830/ 701844/ 701856/ 701906/ 701918/ 701930

V1\_0717\_01\_en

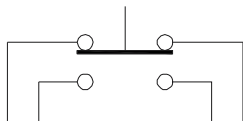
## TECHNICAL DESCRIPTION

### Lamp Ratings

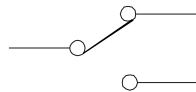
Lamp Type	LED		
	Rated Voltage	AC/DC6V	AC/DC12V
AC/DC110V		AC/DC220V	
Colours	<span style="color: red;">R</span>	<span style="color: green;">G</span>	<span style="color: yellow;">Y</span> <span style="color: orange;">O</span> <span style="color: cyan;">B</span> <span style="border: 1px solid black; padding: 0 2px;">W</span>
Life	About 40,000 hours		

Note: There are protective resistor in the lamp, special voltage rate can be made to order.

### Switching Operation



NO.2



NO.3

### Soldering information

- Handiwork solding: Soldering iron 30W or under at 230°C for 3 sec max.

# Datasheet

Item no. 701830/ 701844/ 701856/ 701906/ 701918/ 701930

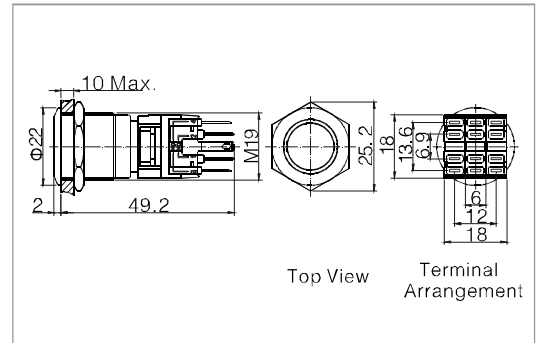
V1\_0717\_01\_en

## METAL PUSHBUTTONS

### RING ILLUMINATED PUSHBUTTON



- ⊙  $\Phi$ 19mm diameter
- ⊙ Combined Structure
- ⊙ 5A, 250VAC
- ⊙ 1NO1NC/2NO2NC/3NO3NC
- ⊙ The Front Shape: Flat Round
- ⊙ The crust material: Stainless Steel
- ⊙ Ring Illuminated
- ⊙ IP Degree: IP67



- 701830 : dia.19mm, 5A/250VAC, 1NO1NC, Momentary, Stainless steel crust, Pin terminal, Flat actuator, Ring illuminated, Red 12V LED
- 701844 : dia.19mm, 5A/250VAC, 1NO1NC, Momentary, Stainless steel crust, Pin terminal, Flat actuator, Ring illuminated, Blue 12V LED
- 701856 : dia.19mm, 5A/250VAC, 1NO1NC, Momentary, Stainless steel crust, Pin terminal, Flat actuator, Ring illuminated, Green 12V LED
- 701906 : dia.19mm, 5A/250VAC, 1NO1NC, Alternate, Stainless steel crust, Pin terminal, Flat actuator, Ring illuminated, Blue 12V LED
- 701918 : dia.19mm, 5A/250VAC, 1NO1NC, Alternate, Stainless steel crust, Pin terminal, Flat actuator, Ring illuminated, Green 12V LED
- 701930 : dia.19mm, 5A/250VAC, 1NO1NC, Alternate, Stainless steel crust, Pin terminal, Flat actuator, Ring illuminated, Red 12V LED

# Datasheet

Item no. 701830/ 701844/ 701856/ 701906/ 701918/ 701930

V1\_0717\_01\_en

## METAL PUSHBUTTONS

Item no.	701830	701844	701856	701906	701918	701930
The Front Shape	Flat Round					
Terminations	Soldering(Pin Terminal)/2.8mm tabs					
Switching	NO.2					
Max. Switch Rating	5A/250VAC					
Contact Resistance	≤50mΩ					
Insulation Resistance	≥1000MΩ					
Dielectric Strength	2000VAC					
Operating Temp.	- 20°C ~ + 70°C					
Mechanical life	1,000,000 cycles					
Electrical life	50,000 cycles					
Contact material	Silver Alloy					
Panel Thickness	1 ~ 10mm					
Torque	5 ~ 14Nm					
Operation Pressure	5.5N					
IP Degree	IP67					
Material	Button	Stainless Steel				
	Body	Stainless Steel				
	Base	PA				
	RoHS	Yes				
LED Spec.	Type	Ring Illuminated(LED)				
	Rated Voltage	6V / 12V / 24V / 110V / 220V				
	Color	<span style="color:red">R</span> <span style="color:green">G</span> <span style="color:yellow">Y</span> <span style="color:orange">O</span> <span style="color:blue">B</span> <span style="border:1px solid black; padding:0 2px;">W</span>				
	Life	40,000 hours				

This is a publication by Conrad Electronic SE, Klaus-Conrad-Str. 1, D-92240 Hirschau (www.conrad.com).

All rights including translation reserved. Reproduction by any method, e.g. photocopy, microfilming, or the capture in electronic data processing systems require the prior written approval by the editor. Reprinting, also in part, is prohibited. This publication represents the technical status at the time of printing.

© Copyright 2017 by Conrad Electronic SE.