

Datasheet

Item no. 701979/ 701958/ 701792/ 701833/ 701779/ 701805/ 701857/ 701895/ 701870/ 701907/
701882/ 701919/ 701791

V1_0717_01_en

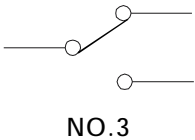
TECHNICAL DESCRIPTION

Lamp Ratings

Lamp Type	LED			
Rated Voltage	AC/DC6V	AC/DC12V	AC/DC24V	
	AC/DC110V		AC/DC220V	
Colours	R	G	Y	O B W
Life	About 40,000 hours			

Note: There are protective resistor in the lamp, special voltage rate can be made to order.

Switching Operation



Soldering information

- ⦿ Handiwork soldering: Soldering iron 30W or under at 230°C for 3 sec max.

Datasheet

Item no. 701979/ 701958/ 701792/ 701833/ 701779/ 701805/ 701857/ 701895/ 701870/ 701907/
701882/ 701919/ 701791

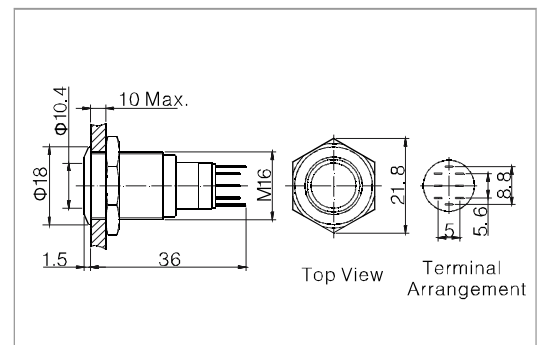
V1_0717_01_en

METAL PUSHBUTTONS

RING ILLUMINATED PUSHBUTTON



- ⊙ Φ 16mm diameter
- ⊙ 3A, 250VAC
- ⊙ 1NO1NC/2NO2NC
- ⊙ The Front Shape: Flat Round
- ⊙ Ring Illuminated
- ⊙ IP Degree: IP40/IP67
- ⊙ The crust material: Stainless Steel/
Brass(Nikel Plated, Gold Plated)



701979 : Vandal proof push button, dia.16mm, 3A/250VAC, 2NO2NC, Momentary, Nickel-plated brass crust, Pin terminal, Flat actuator, Ring illuminated, Blue 12V LED, IP67

701958 : Vandal proof push button, dia.16mm, 3A/250VAC, 2NO2NC, Momentary, Stainless Steel crust, Pin terminal, Flat actuator, Ring illuminated, Blue 12V LED, IP67

701792 : Vandal proof push button, dia.16mm, 3A/250VAC, 2NO2NC, Momentary, Nickel-plated brass crust, Pin terminal, Flat actuator, Ring illuminated, Green 12V LED, IP67

701833 : Vandal proof push button, dia.16mm, 3A/250VAC, 2NO2NC, Momentary, Stainless Steel crust, Pin terminal, Flat actuator, Ring illuminated, Green 12V LED, IP67

701779 : Vandal proof push button, dia.16mm, 3A/250VAC, 2NO2NC, Momentary, Nickel-plated brass crust, Pin terminal, Flat actuator, Ring illuminated, Red 12V LED, IP67

701805 : Vandal proof push button, dia.16mm, 3A/250VAC, 2NO2NC, Momentary, Stainless Steel crust, Pin terminal, Flat actuator, Ring illuminated, Red 12V LED, IP67

701857 : Vandal proof push button, dia.16mm, 3A/250VAC, 1NO1NC, Momentary, Nickel-plated brass crust, Pin terminal, Flat actuator, Ring illuminated, Blue 12V LED, IP67

701895 : Vandal proof push button, dia.16mm, 3A/250VAC, 1NO1NC, Momentary, Stainless Steel crust, Pin terminal, Flat actuator, Ring illuminated, Blue 12V LED, IP67

701870 : Vandal proof push button, dia.16mm, 3A/250VAC, 1NO1NC, Momentary, Nickel-plated brass crust, Pin terminal, Flat actuator, Ring illuminated, Green 12V LED, IP67

701907 : Vandal proof push button, dia.16mm, 3A/250VAC, 1NO1NC, Momentary, Stainless Steel crust, Pin terminal, Flat actuator, Ring illuminated, Green 12V LED, IP67

701882 : Vandal proof push button, dia.16mm, 3A/250VAC, 1NO1NC, Momentary, Nickel-plated brass crust, Pin terminal, Flat actuator, Ring illuminated, Red 12V LED, IP67

701919 : Vandal proof push button, dia.16mm, 3A/250VAC, 1NO1NC, Momentary, Stainless Steel crust, Pin terminal, Flat actuator, Ring illuminated, Red 12V LED, IP67

701791 : Vandal proof push button, dia.16mm, 3A/250VAC, 1NO1NC, Alternate, Nickel-plated brass crust, Pin terminal, Flat actuator, Ring illuminated, Blue 12V LED, IP67

Datasheet

Item no. 701979/ 701958/ 701792/ 701833/ 701779/ 701805/ 701857/ 701895/ 701870/ 701907/
701882/ 701919/ 701791

V1_0717_01_en

METAL PUSHBUTTONS

Item no.	701979 701958 701792 701833 701779 701805 701857 701895 701870 701907 701882 701919 701791	
The Front Shape	Flat Round High Round	
Terminations	Soldering(Pin Terminal)	
Switching	NO.3	
Max. Switch Rating	3A/250VAC	
Contact Resistance	≤50mΩ	
Insulation Resistance	≥1000MΩ	
Dielectric Strength	2000VAC	
Operating Temp.	- 20°C ~ + 70°C	
Mechanical life	1,000,000 cycles	
Electrical life	50,000 cycles	
Contact material	Silver Alloy	
Panel Thickness	1 ~ 10mm	
Torque	5 ~ 14Nm	
Operation Pressure	5.5N	
IP Degree	IP40/IP67	
Material	Button	Stainless Steel/Brass(Nikel Plated, Gold Plated)
	Body	Stainless Steel/Brass(Nikel Plated, Gold Plated)
	Base	PBT
	RoHS	Yes
LED Spec.	Type	Ring Illuminated(LED)
	Rated Voltage	6V / 12V / 24V / 110V / 220V
	Color	R G Y O B W
	Life	40,000 hours

This is a publication by Conrad Electronic SE, Klaus-Conrad-Str. 1, D-92240 Hirschau (www.conrad.com).

All rights including translation reserved. Reproduction by any method, e.g. photocopy, microfilming, or the capture in electronic data processing systems require the prior written approval by the editor. Reprinting, also in part, is prohibited. This publication represents the technical status at the time of printing.

© Copyright 2017 by Conrad Electronic SE.