

Datasheet

Item no. 701855/ 701880/ 701868

V1_0717_01_en

Metal Push Button

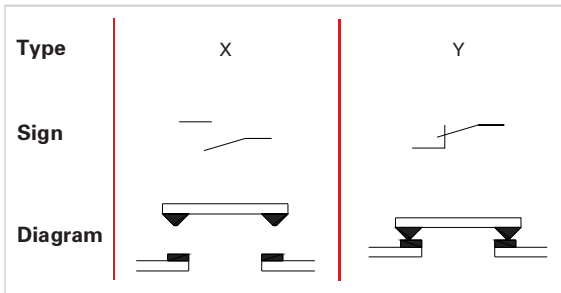
Specifications

Operating Temperature	-25°C~+55°C(no freezing) keep the air flowing around illuminated pushbutton
Operating Humidity	45~85%RH(no condensation)
Contact Resistance	≤50mΩ
Insulation Resistance	≥1000MΩ
Dielectric Strength	2000V, A C50Hz,5 seconds
Vibration Resistance	50Hz,Amplitude 1.2mm
Shock Resistance	> 10g
Solder Heat Resistance	320°C(or 30W soldering iron) no more than 2 seconds)

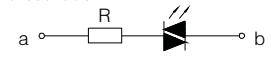
Standard and Certification

Standard	Certification Mark	Certificate Authority /Certification Number
EN61058-1:2002+A2:2008	CE	VOV/VT11018807
EN60947-1:2004		CTS/CTS070706-01006-E

Switching Operation



Lamp Ratings

Lamp Type	LED lamp(AC/DC)
Led Color	R G Y O B W
Life	40000 hours (Reference)
Rated Voltage	AC/DC6V,AC/DC12V,AC/DC24V,AC/DC36V
Rated Current	About 15mA
DroppingWay	External resistance
Lamp Circuit Diagram	Using AC/DCLED lamp, the terminals have no difference of anode and cathode. 

Two silver colored pins are LED pins, which have no difference of anode and cathode.

You can connect any one of those two pins to the positive power supply.

The color dot marking shows the color of the illumination of the button and is near a contact for the illumination led.

Two gold colored pins are switch pins.

Datasheet

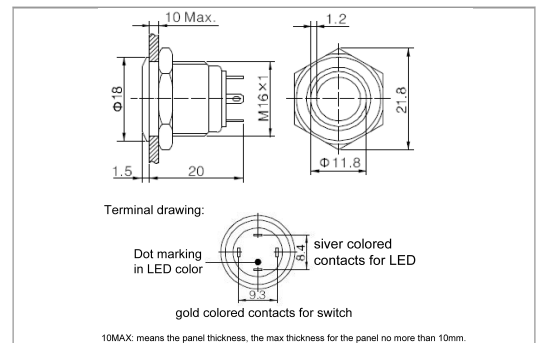
Item no. 701855/ 701880/ 701868

V1_0717_01_en

Anti-vandal ring illuminated push button



- Φ 16mm diameter
- Switch Rating: 2A/36VDC Contact
- Configuration: 1NO Operation
- Type: Momentary
- The crust material: Stainless Steel/
Nickel Plate Brass
- Ring Illuminated
- IP Degree: IP65



701855 : dia.16mm, 2A/48VDC, 1NO, Momentary, Stainless Steel crust, Pin terminal, Flat actuator, Ring illuminated, Blue 12V LED

701880 : dia.16mm, 2A/48VDC, 1NO, Momentary, Stainless Steel crust, Pin terminal, Flat actuator, Ring illuminated, Green 12V LED

701868 : dia.16mm, 2A/48VDC, 1NO, Momentary, Stainless Steel crust, Pin terminal, Flat actuator, Ring illuminated, Red 12V LED

Datasheet

Item no. 701855/ 701880/ 701868

V1_0717_01_en

Specification	701855/ 701880/ 701868										
The Fornt Shape	Flat Round										
Terminal Type	Pin Terminal(2× 0.5mm)										
Switching	No.1										
Max.Switch Rating	2A/36VDC										
Contact Resistance	≤50mΩ										
Insulation Resistance	≥1000MΩ										
Dielectric Intensity	2000VAC										
Operating Temp	-20℃ ~ +55℃										
Mechanical life	1,000,000cycles										
Electrical life	200,000 cycles										
Panel Thickness	1 ~ 10mm										
Torque	5 ~ 14Nm										
Operation Pressure	About 4N										
Operation Distance	About 1.5mm										
IP Degree	IP65										
Material	Contact	Silver Alloy									
	Button	Stainless Steel/Nickel Plated Brass									
	Body	Stainless Steel/Nickel Plated Brass									
	Base	PBT									
	RoHS	Yes									
LED Spec.	Type	Ring Illuminated(LED)									
	Color	R Y O G B W									
	Rated Voltage(Ue)	AC/DC 1.7V		AC/DC 2.8V							
	Rated Current(Ie)	20mA									
	Life	40000 hours									
Current-Limiting Resistance Configuration Table	Operating Voltage (U)	6V		12V		24V		36V		Formula $R = \frac{U - U_e}{I_e}$	
	Current-Limiting Resistance(R)	R Y O		210Ω, 1/4W		510Ω, 1/2W		1.2kΩ, 3/4W			2.2KΩ, 1W
		G B W		160Ω, 1/4W		460Ω, 1/2W		1.2KΩ, 3/4W		2.2KΩ, 1W	

This is a publication by Conrad Electronic SE, Klaus-Conrad-Str. 1, D-92240 Hirschau (www.conrad.com).

All rights including translation reserved. Reproduction by any method, e.g. photocopy, microfilming, or the capture in electronic data processing systems require the prior written approval by the editor. Reprinting, also in part, is prohibited. This publication represents the technical status at the time of printing.

© Copyright 2017 by Conrad Electronic SE.