

Datasheet

Item no. 701884/ 701921/ 701897/ 701933/ 701909/ 701945/ 701860/
701834/ 701957/ 701808/ 701969/ 701795/ 701982/ 701781

V1_0717_01_en

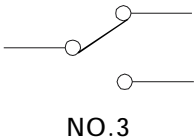
TECHNICAL DESCRIPTION

Lamp Ratings

Lamp Type	LED					
Rated Voltage	AC/DC6V	AC/DC12V	AC/DC24V			
	AC/DC110V		AC/DC220V			
Colours	R	G	Y	O	B	W
Life	About 40,000 hours					

Note: There are protective resistor in the lamp, special voltage rate can be made to order.

Switching Operation



Soldering information

- ⦿ Handiwork soldering: Soldering iron 30W or under at 230°C for 3 sec max.

Datasheet

Item no. 701884/ 701921/ 701897/ 701933/ 701909/ 701945/ 701860/
701834/ 701957/ 701808/ 701969/ 701795/ 701982/ 701781

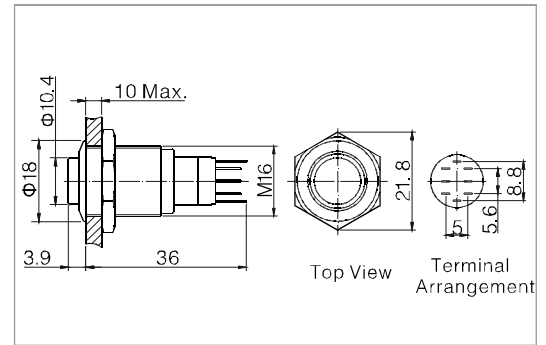
V1_0717_01_en

METAL PUSHBUTTONS

RING ILLUMINATED PUSHBUTTON



- ⊙ Φ 16mm diameter
- ⊙ 3A, 250VAC
- ⊙ 1NO1NC/2NO2NC
- ⊙ The Front Shape: High Round
- ⊙ Ring Illuminated
- ⊙ IP Degree: IP40/IP67
- ⊙ The crust material: Stainless Steel/
Brass(Nikel Plated, Gold Plated)



701884 : Vandal proof push button, dia.16mm, 3A/250VAC,1NO1NC, Momentary, Nickel-plated brass crust, Pin terminal, High actuator, Ring illuminated, Blue 12V LED, IP67

701921 : Vandal proof push button, dia.16mm, 3A/250VAC, 1NO1NC, Momentary, Stainless Steel crust, Pin terminal, High actuator, Ring illuminated, Blue 12V LED, IP67

701897 : Vandal proof push button, dia.16mm, 3A/250VAC, 1NO1NC, Momentary, Nickel-plated brass crust, Pin terminal, High actuator, Ring illuminated, Green 12V LED, IP67

701933 : Vandal proof push button, dia.16mm, 3A/250VAC, 1NO1NC, Momentary, Stainless Steel crust, Pin terminal, High actuator, Ring illuminated, Green 12V LED, IP67

701909 : Vandal proof push button, dia.16mm, 3A/250VAC, 1NO1NC, Momentary, Nickel-plated brass crust, Pin terminal, High actuator, Ring illuminated, Red 12V LED, IP67

701945 : Vandal proof push button, dia.16mm, 3A/250VAC, 1NO1NC, Momentary, Stainless Steel crust, Pin terminal, High actuator, Ring illuminated, Red 12V LED, IP67

701860 : Vandal proof push button, dia.16mm, 3A/250VAC, 1NO1NC, Alternate, Nickel-plated brass crust, Pin terminal, High actuator, Ring illuminated, Blue 12V LED, IP67

701834 : Vandal proof push button, dia.16mm, 3A/250VAC, 1NO1NC, Alternate, Stainless Steel crust, Pin terminal, High actuator, Ring illuminated, Blue 12V LED, IP67

701957 : Vandal proof push button, dia.16mm, 3A/250VAC, 2NO2NC, Momentary, Nickel-plated brass crust, Pin terminal, High actuator, Ring illuminated, Blue 12V LED, IP67

701808 : Vandal proof push button, dia.16mm, 3A/250VAC, 2NO2NC, Momentary, Stainless Steel crust, Pin terminal, High actuator, Ring illuminated, Blue 12V LED, IP67

701969 : Vandal proof push button, dia.16mm, 3A/250VAC, 2NO2NC, Momentary, Nickel-plated brass crust, Pin terminal, High actuator, Ring illuminated, Green 12V LED, IP67

701795 : Vandal proof push button, dia.16mm, 3A/250VAC, 2NO2NC, Momentary, Stainless Steel crust, Pin terminal, High actuator, Ring illuminated, Green 12V LED, IP67

701982 : Vandal proof push button, dia.16mm, 3A/250VAC, 2NO2NC, Momentary, Nickel-plated brass crust, Pin terminal, High actuator, Ring illuminated, Red 12V LED, IP67

701781 : Vandal proof push button, dia.16mm, 3A/250VAC, 2NO2NC, Momentary, Stainless Steel crust, Pin terminal, High actuator, Ring illuminated, Red 12V LED, IP67

Datasheet

Item no. 701884/ 701921/ 701897/ 701933/ 701909/ 701945/ 701860/
701834/ 701957/ 701808/ 701969/ 701795/ 701982/ 701781

V1_0717_01_en

METAL PUSHBUTTONS

Item no.	701884 701921 701897 701933 701909 701945 701860 701834 701957 701808 701969 701795 701982 701781	
The Front Shape	Flat Round High Round	
Terminations	Soldering(Pin Terminal)	
Switching	NO.3	
Max. Switch Rating	3A/250VAC	
Contact Resistance	≤50mΩ	
Insulation Resistance	≥1000MΩ	
Dielectric Strength	2000VAC	
Operating Temp.	- 20°C ~ + 70°C	
Mechanical life	1,000,000 cycles	
Electrical life	50,000 cycles	
Contact material	Silver Alloy	
Panel Thickness	1 ~ 10mm	
Torque	5 ~ 14Nm	
Operation Pressure	5.5N	
IP Degree	IP40/IP67	
Material	Button	Stainless Steel/Brass(Nikel Plated, Gold Plated)
	Body	Stainless Steel/Brass(Nikel Plated, Gold Plated)
	Base	PBT
	RoHS	Yes
LED Spec:	Type	Ring Illuminated(LED)
	Rated Voltage	6V / 12V / 24V / 110V / 220V
	Color	R G Y O B W
	Life	40,000 hours

This is a publication by Conrad Electronic SE, Klaus-Conrad-Str. 1, D-92240 Hirschau (www.conrad.com).

All rights including translation reserved. Reproduction by any method, e.g. photocopy, microfilming, or the capture in electronic data processing systems require the prior written approval by the editor. Reprinting, also in part, is prohibited. This publication represents the technical status at the time of printing.

© Copyright 2017 by Conrad Electronic SE.