

Datasheet

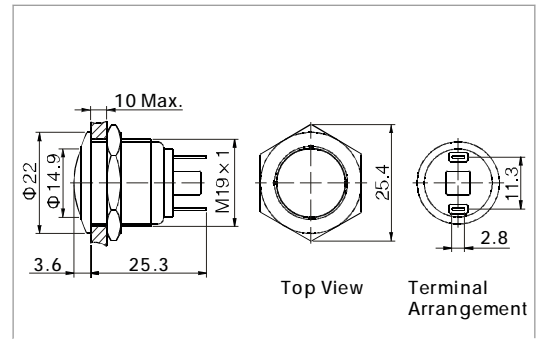
Item no. 701893/ 701905/ 701917/ 701929/ 701941/ 701953

V1_0717_01_en

ANTI-VANDALpush button



- ⊙ Φ 19mm diameter
- ⊙ Switch Rating: 2A/36VDC
- ⊙ Contact Configuration: 1NO(1NC)
- ⊙ Operation Type: Momentary
- ⊙ The Front Shape: Domed
- ⊙ The crust material: Stainless Steel/
Brass(Nickel plated, Gold plated)
- ⊙ IP Degree: IP65



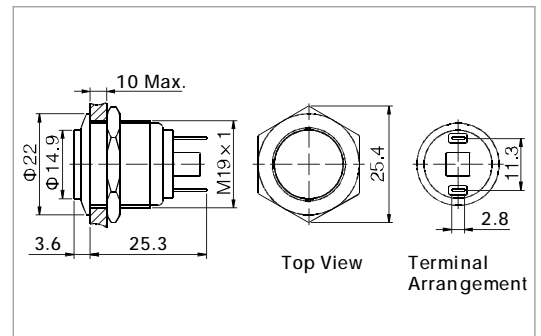
701893 : Vandal proof push button, dia.19mm, 2A/48VDC, 1NO, Momentary, Nickel-plated brass crust, Pin terminal, Domed actuator

701905 : Vandal proof push button, dia.19mm, A/48VDC, 1NO, Momentary, Stainless Steel crust, Pin terminal, Domed actuator

ANTI-VANDALpush button



- ⊙ Φ 19mm diameter
- ⊙ Switch Rating: 2A/36VDC
- ⊙ Contact Configuration: 1NO(1NC)
- ⊙ Operation Type: Momentary
- ⊙ The Front Shape: Flat Round
- ⊙ The crust material: Stainless Steel/
Brass(Nickel plated, Gold plated)
- ⊙ IP Degree: IP65



701917 : Vandal proof push button, dia.19mm, 2A/48VDC, 1NO, Momentary, Nickel-plated brass crust, Pin terminal, Flat actuator

701929 : Vandal proof push button, dia.19mm, 2A/48VDC, 1NO, Momentary, Stainless Steel crust, Pin terminal, Flat actuator

Datasheet

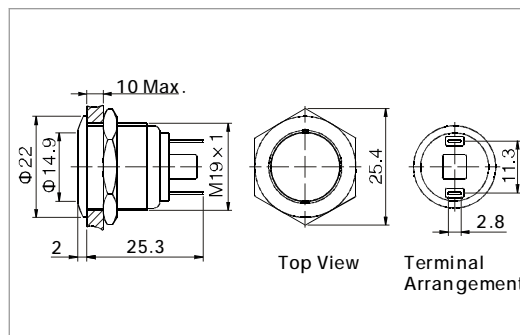
Item no. 701893/ 701905/ 701917/ 701929/ 701941/ 701953

V1_0717_01_en

ANTI-VANDALpush button



- ⊙ Φ 19mm diameter
- ⊙ Switch Rating: 2A/36VDC
- ⊙ Contact Configuration: 1NO(1NC)
- ⊙ Operation Type: Momentary
- ⊙ The Front Shape: High Round
- ⊙ The crust material: Stainless Steel/
Brass(Nickel plated, Gold plated)
- ⊙ IP Degree: IP65



701941 : Vandal proof push button, dia.19mm, 2A/48VDC, 1NO, Momentary, Nickel-plated brass crust, Pin terminal, High actuator

701953 : Vandal proof push button, dia.19mm, 2A/48VDC, 1NO, Momentary, Stainless Steel crust, Pin terminal, High actuator

| Item no. | 701893/ 701905 | 701917/ 701929 | 701941/ 701953 | |
|-----------------------|-------------------------|---|---|---|
| The Front Shape | Domed | Flat Round | High Round | |
| Terminal Type | Pin Terminal(2 × 0.5mm) | Pin Terminal(2 × 0.5mm) | Pin Terminal(2 × 0.5mm) | |
| Switching | No.1 | No.1 | No.1 | |
| Max. Switch Rating | 2A/36VDC | 2A/36VDC | 2A/36VDC | |
| Contact Resistance | ≤ 50m Ω | ≤ 50m Ω | ≤ 50m Ω | |
| Insulation Resistance | ≥ 1000M Ω | ≥ 1000M Ω | ≥ 1000M Ω | |
| Dielectric Strength | 2000VAC | 2000VAC | 2000VAC | |
| Operating Temp | -20°C ~ +55°C | -20°C ~ +55°C | -20°C ~ +55°C | |
| Mechanical life | 1,000,000 cycles | 1,000,000 cycles | 1,000,000 cycles | |
| Electrical life | 200,000 cycles | 200,000 cycles | 200,000 cycles | |
| Panel Thickness | 1 ~ 10mm | 1 ~ 10mm | 1 ~ 10mm | |
| Torque | 5 ~ 14Nm | 5 ~ 14Nm | 5 ~ 14Nm | |
| Operation Pressure | About 4N | About 4N | About 4N | |
| Operation Distance | About 1.8mm | About 1.8mm | About 1.8mm | |
| IP Degree | IP65 | IP65 | IP65 | |
| Material | Contact | Silver Alloy | Silver Alloy | |
| | Button | Stainless Steel/Brass(Nickel plated, Gold plated) | Stainless Steel/Brass(Nickel plated, Gold plated) | Stainless Steel/Brass(Nickel plated, Gold plated) |
| | Body | Stainless Steel/Brass(Nickel plated, Gold plated) | Stainless Steel/Brass(Nickel plated, Gold plated) | Stainless Steel/Brass(Nickel plated, Gold plated) |
| | Base | PBT | PBT | PBT |
| | RoHS | Yes | Yes | Yes |

This is a publication by Conrad Electronic SE, Klaus-Conrad-Str. 1, D-92240 Hirschau (www.conrad.com).

All rights including translation reserved. Reproduction by any method, e.g. photocopy, microfilming, or the capture in electronic data processing systems require the prior written approval by the editor. Reprinting, also in part, is prohibited. This publication represents the technical status at the time of printing.

© Copyright 2017 by Conrad Electronic SE.