

# Datasheet

Item no.701942/ 701954/ 701978/ 701966/ 701931/ 701943/ 701955/  
701967/ 701794/ 701780/ 701981/ 701968/ 701932/ 701920/ 701944/ 701956

V1\_0717\_01\_en

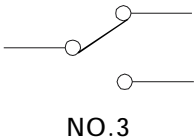
## TECHNICAL DESCRIPTION

### Lamp Ratings

Lamp Type	LED		
Rated Voltage	AC/DC6V	AC/DC12V	AC/DC24V
	AC/DC110V		AC/DC220V
Colours	<span style="background-color: red; color: white; padding: 2px;">R</span>	<span style="background-color: green; color: white; padding: 2px;">G</span>	<span style="background-color: yellow; color: black; padding: 2px;">Y</span> <span style="background-color: orange; color: white; padding: 2px;">O</span> <span style="background-color: cyan; color: white; padding: 2px;">B</span> <span style="border: 1px solid black; padding: 2px;">W</span>
Life	About 40,000 hours		

Note: There are protective resistor in the lamp, special voltage rate can be made to order.

### Switching Operation



### Soldering information

- ⦿ Handiwork soldering: Soldering iron 30W or under at 230°C for 3 sec max.

## Datasheet

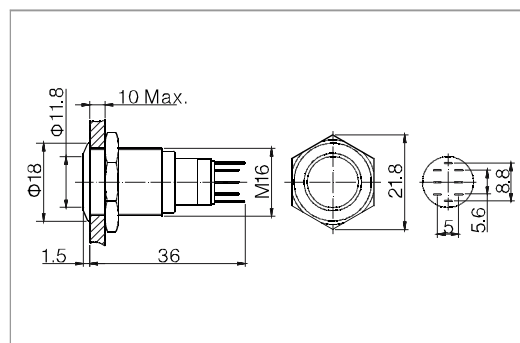
Item no. 701942/ 701954/ 701978/ 701966/ 701931/ 701943/ 701955/  
701967/ 701794/ 701780/ 701981/ 701968/ 701932/ 701920/ 701944/ 701956 V1\_0717\_01\_en

### METAL PUSHBUTTONS

#### PUSHBUTTONS



- ⊙  $\Phi$  16mm diameter
- ⊙ 3A, 250VAC
- ⊙ 1NO1NC/2NO2NC
- ⊙ The Front Shape: Flat Round
- ⊙ IP Degree: IP40/IP67
- ⊙ The crust material: Stainless Steel/  
Brass(Nikel Plated, Gold Plated)



701942 : Vandal proof push button, dia.16mm, 3A/250VAC, 1NO1NC, Momentary, Nickel-plated brass crust, Pin terminal, Flat actuator, IP67

701954 : Vandal proof push button, dia.16mm, 3A/250VAC, 1NO1NC, Momentary, Stainless Steel crust, Pin terminal, Flat actuator, IP67

701978 : Vandal proof push button, dia.16mm, 3A/250VAC, 1NO1NC, Alternate, Nickel-plated brass crust, Pin terminal, Flat actuator, IP67

701966 : Vandal proof push button, dia.16mm, 3A/250VAC, 1NO1NC, Alternate, Stainless Steel crust, Pin terminal, Flat actuator, IP67

701931 : Vandal proof push button, dia.16mm, 3A/250VAC, 2NO2NC, Momentary, Nickel-plated brass crust, Pin terminal, Flat actuator, IP67

701943 : Vandal proof push button, dia.16mm, 3A/250VAC, 2NO2NC, Momentary, Stainless Steel crust, Pin terminal, Flat actuator, IP67

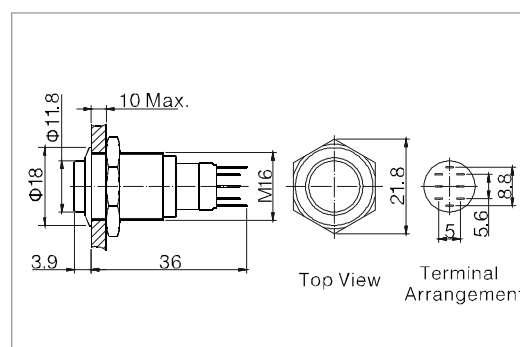
701955 : Vandal proof push button, dia.16mm, 3A/250VAC, 2NO2NC, Alternate, Nickel-plated brass crust, Pin terminal, Flat actuator, IP67

701967 : Vandal proof push button, dia.16mm, 3A/250VAC, 2NO2NC, Alternate, Stainless Steel crust, Pin terminal, Flat actuator, IP67

#### PUSHBUTTONS



- ⊙  $\Phi$  16mm diameter
- ⊙ 3A, 250VAC
- ⊙ 1NO1NC/2NO2NC
- ⊙ The Front Shape: High Round
- ⊙ IP Degree: IP40/IP67
- ⊙ The crust material: Stainless Steel/  
Brass(Nikel Plated, Gold Plated)



701794 : Vandal proof push button, dia.16mm, 3A/250VAC, 1NO1NC, Momentary, Nickel-plated brass crust, Pin terminal, High actuator, IP67

701780 : Vandal proof push button, dia.16mm, 3A/250VAC, 1NO1NC, Momentary, Stainless Steel crust, Pin terminal, High actuator, IP67

701981 : Vandal proof push button, dia.16mm, 3A/250VAC, 1NO1NC, Alternate, Nickel-plated brass crust, Pin terminal, High actuator, IP67

701968 : Vandal proof push button, dia.16mm, 3A/250VAC, 1NO1NC, Alternate, Stainless Steel crust, Pin terminal, High actuator, IP67

701932 : Vandal proof push button, dia.16mm, 3A/250VAC, 2NO2NC, Momentary, Nickel-plated brass crust, Pin terminal, High actuator, IP67

701920 : Vandal proof push button, dia.16mm, 3A/250VAC, 2NO2NC, Momentary, Stainless Steel crust, Pin terminal, High actuator, IP67

701944 : Vandal proof push button, dia.16mm, 3A/250VAC, 2NO2NC, Alternate, Nickel-plated brass crust, Pin terminal, High actuator, IP67

701956 : Vandal proof push button, dia.16mm, 3A/250VAC, 2NO2NC, Alternate, Stainless Steel crust, Pin terminal, High actuator, IP67

# Datasheet

Item no. 701942/ 701954/ 701978/ 701966/ 701931/ 701943/ 701955/  
701967/ 701794/ 701780/ 701981/ 701968/ 701932/ 701920/ 701944/ 701956

V1\_0717\_01\_en

## METAL PUSHBUTTONS

Item no.	701942	701794
	701954	701780
	701978	701981
	701966	701968
	701931	701932
	701943	701920
	701955	701944
	701967	701956
The Front Shape	Flat Round High Round	
Terminations	Soldering (Pin Terminal)	
Switching	NO.3	
Max. Switch Rating	3A/250VAC	
Contact Resistance	≤ 50mΩ	
Insulation Resistance	≥ 1000MΩ	
Dielectric Strength	2000VAC	
Operating Temp.	- 20°C ~ + 70°C	
Mechanical life	1,000,000 cycles	
Electrical life	50,000 cycles	
Contact material	Silver Alloy	
Panel Thickness	1 ~ 10mm	
Torque	5 ~ 14Nm	
Operation Pressure	5.5N	
IP Degree	IP 40/IP 67	
Material	Button	Stainless Steel/Brass (Nikel Plated, Gold Plated)
	Body	Stainless Steel/Brass (Nikel Plated, Gold Plated)
	Base	PBT
	RoHS	Yes
LED Spec.	Type	Without lamp
	Rated Voltage	---
	Color	---
	Life	---

This is a publication by Conrad Electronic SE, Klaus-Conrad-Str. 1, D-92240 Hirschau ([www.conrad.com](http://www.conrad.com)).

All rights including translation reserved. Reproduction by any method, e.g. photocopy, microfilming, or the capture in electronic data processing systems require the prior written approval by the editor. Reprinting, also in part, is prohibited. This publication represents the technical status at the time of printing.

© Copyright 2017 by Conrad Electronic SE.