

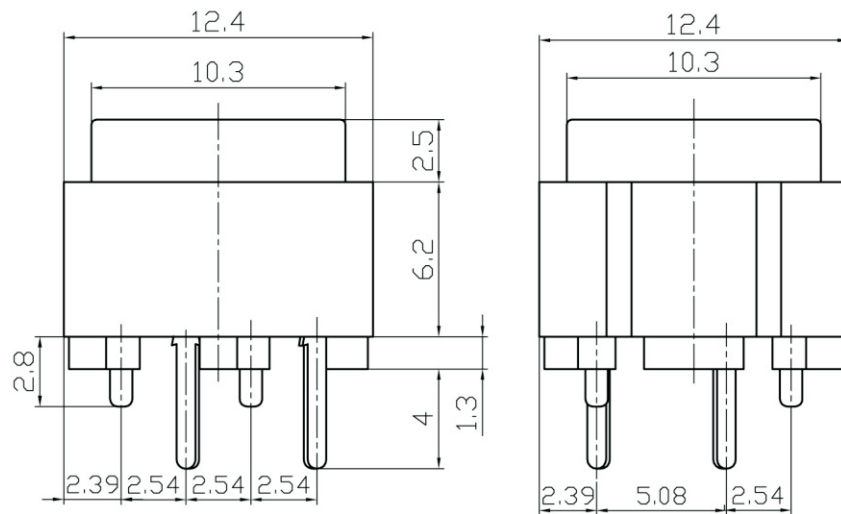
# Push-Button Switch

TYPE : PBS-18B

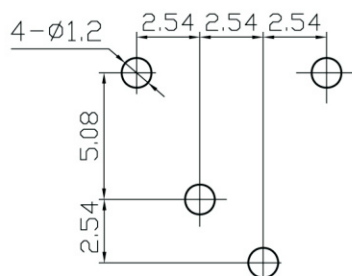
## Specification

1. (Rating) : 25mA 50V AC or DC
2. (Contact R) : 50mΩ max
3. (Insulation R) : 500V DC 100MΩ min
4. (Dielectric Strength) : 1 Minute 1000V AC
5. (Operating Temperature) : -25°C ~ +85°C
6. (Electrical Life) : 50, 000 Cycles

## (Outline Drawing)



## (Mounting)



## (Circuitry)

