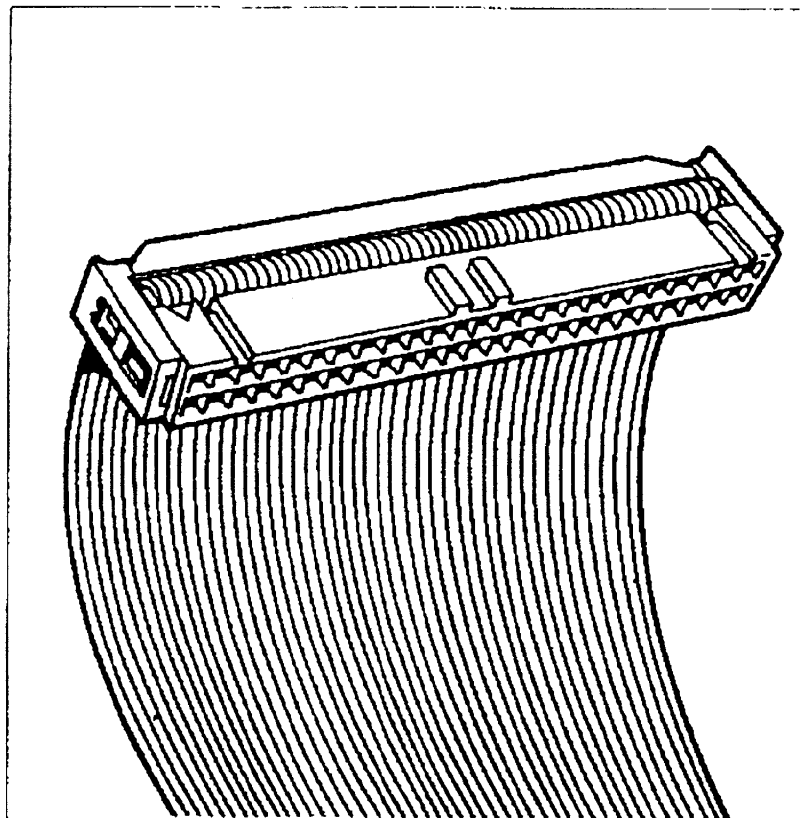
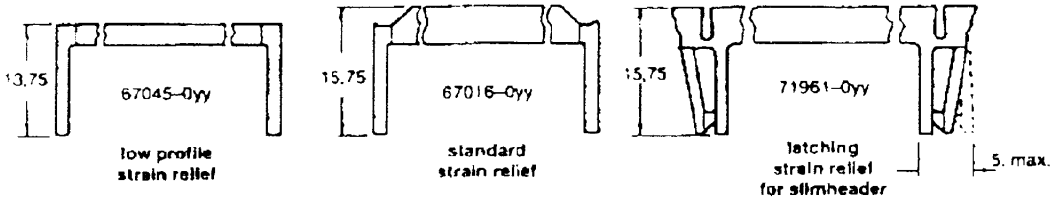


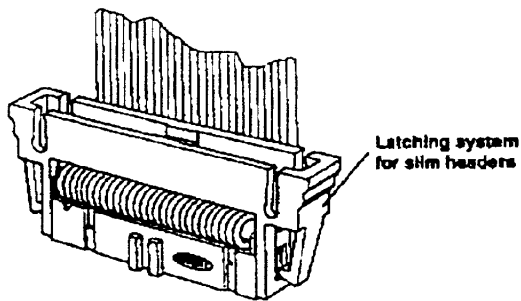
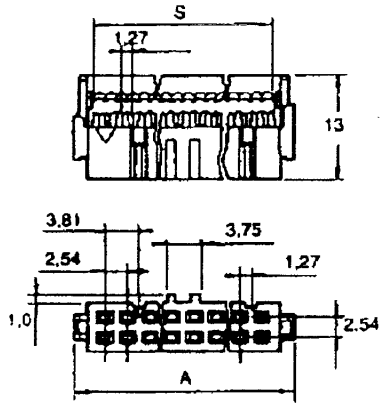
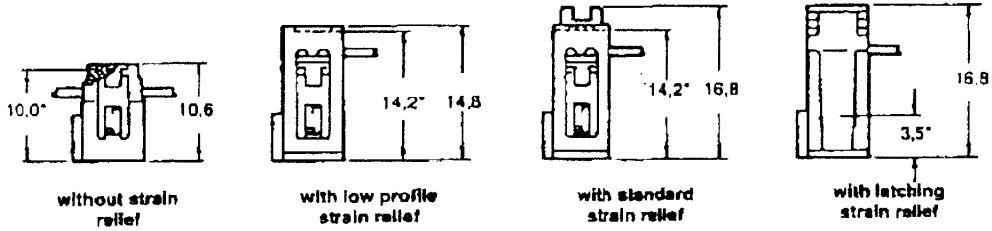
- Pre-loaded adjustable bridge-type cover suits a wide range of cables, reduces assembly time, protects contacts and offers precise cover-to-base alignment ensuring a reliable termination.
- Long wiping action ensures good contact.
- Comprehensive range of connector sizes.
- According to European specifications: DIN 41651, HE 10 and BT D 2632.
- Fully compatible with Sea-Horse headers.



Spacing		2,54 x 2,54 mm
Polarization		By means of polarization plug 89826 or slots and keys
Body	Material	Glass-filled thermo-plastic polyester, (UL 94 V-0), grey
	Insulation resistance	1 x 10 ⁹ MΩ min.
	Temperature range	- 65° C to + 125° C
	Withstanding voltage	1000 V rms (sea level)
Contact	Material	Phosphor bronze
	Plating/performance	gold or tin/lead in accordance to BE performance reference
	Current rating	1 A
	Resistance	10 mΩ max.



View of assembly after termination (latching dim. on header*)



dim. A = (no. of pos. x 1,27) + 4,46 mm
 dim. S = (no. of pos. x 1,27) + 0,63 mm

Cable specification: wire size AWG 30 solid (0,05 mm²)
 AWG 28 stranded (0,08 mm²)
 Insulation material any current type 0,8 to 1,3 + 0,1 dia. Pitch 1,27 + 0,08 non accumulated

Performance/partnumbers: 71600-xyy: class II, gold plated
 71603-xyy: tin/lead plated

DASH NUMBER	NUMBER POSITIONS	SLOT STYLE
-x04	4	NO SLOT
-x08	6	RIGHT IF NO KEY
-x08	8	RIGHT IF NO KEY
-x10	10	RIGHT SLOT
-x14	14	RIGHT SLOT
-x16	16	2 SLOTS
-x18	18	2 SLOTS
-x20	20	2 SLOTS
-x26	26	2 SLOTS
-x30	30	2 SLOTS
-x34	34	2 SLOTS
-x40	40	2 SLOTS
-x44	44	2 SLOTS
-x50	50	2 SLOTS
-x60	60	2 SLOTS
-x64	64	2 SLOTS

replace x in dash.no. by:	WITH CENTRAL KEY	WITHOUT CENTRAL KEY	STANDARD	WITHOUT	LOW PROFILE	LATCHING
			STRAIN RELIEF			
-7YY		•				•
-6YY	•					•
-5YY		•			•	
-4YY		•		•		
-3YY		•	•			
-2YY	•				•	
-1YY	•			•		
0YY	•		•			

Note: for performance level specification see page Performance Classification