

The Multimec 5E and 5G series is the new generation of the existing 3A, 3C, 3E, 3F, 4A and 4F multimec switches. The 5E and 5G series is a narrower product line, but the flexibility is more advanced. The switches will be supplied in high temperature material only to stand today's advanced soldering processes. The cap holding system is improved, by a superior snap system.

The 5E and 5G series can be supplied with LED's integrated in the switch and also as a surface mount switch. A high variety of aesthetic designed keycaps is available for the multimec switches both as solid caps, but also with excellent illumination possibilities.

The standard program will include three different actuation forces: 2, 3.5, and 6.5N. The multimec switches are known for their crisp audible tactile feel although a quiet version is available for sensitive applications such as audio, conference and military equipment.

The switch can be used as through-hole or SMD versions, and are designed to be used in a wide variety of applications.



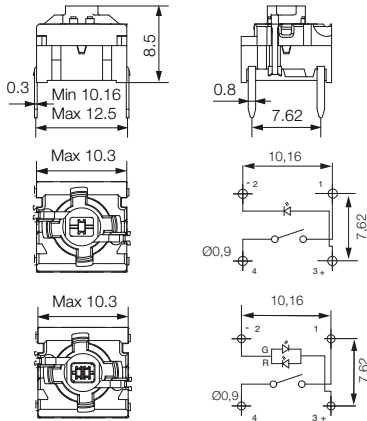
Distributor:



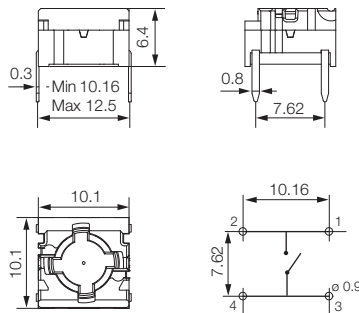
Technical Data:

- through-hole or SMD / 50mA/24VDC / single pole/momentary
- 10.000.000 operations life time / IP67 sealing / actuation force: 2.0, 3.5, 6.5 N
- high temperature -40/+160° C

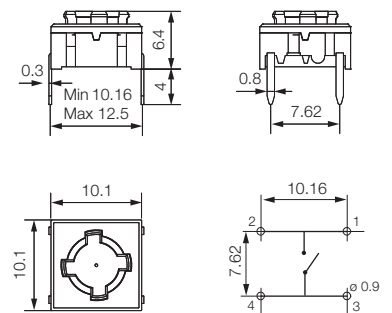
5GTH9 (through-hole) 1+2 LED



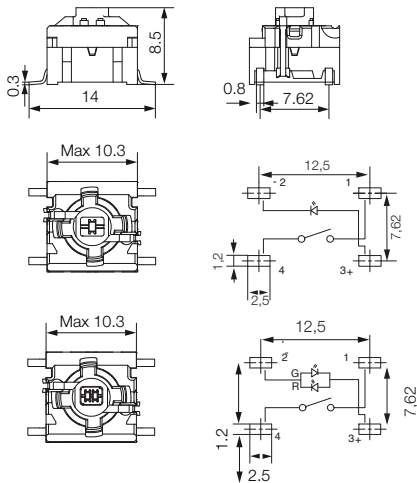
5GTH9 (through-hole)



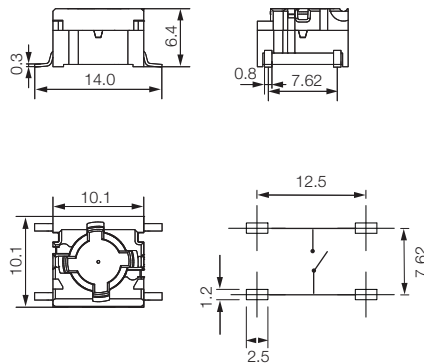
5ETH9 (through-hole)



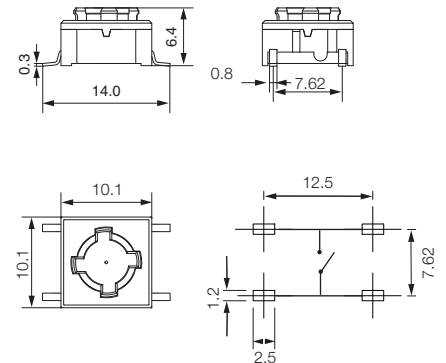
5GSH9 (SMD) 1+2 LED



5GSH9 (SMD)



5ESH9 (SMD)



HOW TO ORDER

5 G	<input type="checkbox"/>	<input type="checkbox"/>	<input type="checkbox"/>
Switch	Mounting	Actuation force	LED
	TH9 through-hole	20	01 blue / 22 green / 42 yellow / 61 white / 82 red / 2242 green/yellow / 8222 red/green / 8242 red/yellow
	SH9 surface mount	35	
		65	

5 E	<input type="checkbox"/>	<input type="checkbox"/>
Switch	Mounting	Actuation force
	TH9 through-hole	20
	SH9 surface mount	35
		65

5 G	<input type="checkbox"/>	<input type="checkbox"/>
Switch	Mounting	Actuation force
	TH9 through-hole	20
	SH9 surface mount	35
		65

Ordering example: 5GSH96535

See colour codes on our website: www.mec.dk
Dimensions (mm) Unless otherwise specified, all tolerances ± 0.2