

## Datasheet

Item no. 701308/ 701309/ 701310/ 701316/ 701318/ 701319/ 701311/  
 701312 / 701313/ 701320/ 701321/ 701322/ 702182/ 702211/ 702165/  
 702477/ 702462/ 702197

V1\_0717\_01\_en

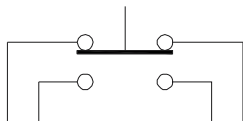
## TECHNICAL DESCRIPTION

### Lamp Ratings

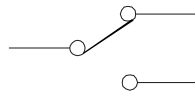
Lamp Type	LED		
	Rated Voltage	AC/DC6V	AC/DC12V
AC/DC110V		AC/DC220V	
Colours	<span style="color: red;">R</span>	<span style="color: green;">G</span>	<span style="color: yellow;">Y</span> <span style="color: orange;">O</span> <span style="color: cyan;">B</span> <span style="border: 1px solid black; padding: 0 2px;">W</span>
Life	About 40,000 hours		

Note: There are protective resistor in the lamp, special voltage rate can be made to order.

### Switching Operation



NO.2



NO.3

### Soldering information

- ⦿ Handiwork solding: Soldering iron 30W or under at 230°C for 3 sec max.

## Datasheet

Item no. 701308/ 701309/ 701310/ 701316/ 701318/ 701319/ 701311/  
701312 / 701313/ 701320/ 701321/ 701322/ 702182/ 702211/ 702165/  
702477/ 702462/ 702197

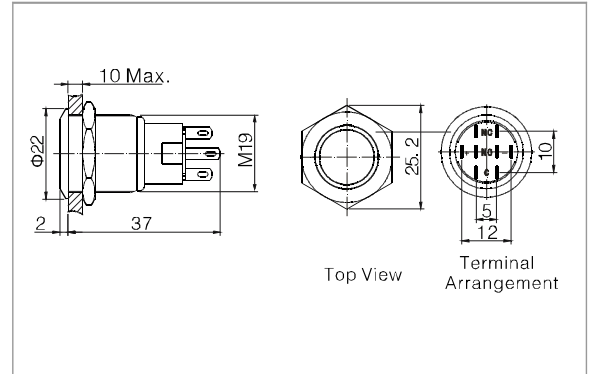
V1\_0717\_01\_en

## METAL PUSHBUTTONS

### RING ILLUMINATED PUSHBUTTON



- ⊙  $\Phi$  19mm diameter
- ⊙ 5A, 250VAC
- ⊙ 1NO1NC/2NO2NC
- ⊙ The Front Shape: Flat Round
- ⊙ The crust material: Stainless Steel
- ⊙ Ring Illuminated
- ⊙ IP Degree: IP67



- 701308 : Push Button Switch, Ring, Momentary, 1NO1NC, 12V, Red
- 701309 : Push Button Switch, Ring, Momentary, 1NO1NC, 12V, Green
- 701310 : Push Button Switch, Ring, Momentary, 1NO1NC, 12V, Blue
- 701316 : Push Button Switch, Ring, Alternate, 1NO1NC, 12V, Red
- 701318 : Push Button Switch, Ring, Alternate, 1NO1NC, 12V, Green
- 701319 : Push Button Switch, Ring, Alternate, 1NO1NC, 12V, Blue
- 701311 : Push Button Switch, Ring, Momentary, 2NO2NC, 12V, Red
- 701312 : Push Button Switch, Ring, Momentary, 2NO2NC, 12V, Green
- 701313 : Push Button Switch, Ring, Momentary, 2NO2NC, 12V, Blue
- 701320 : Push Button Switch, Ring, Alternate, 2NO2NC, 12V, Red
- 701321 : Push Button Switch, Ring, Alternate, 2NO2NC, 12V, Green
- 701322 : Push Button Switch, Ring, Alternate, 2NO2NC, 12V, Blue
- 702182 : Push button switch in black, dia.19mm, Ring illuminated, LED Blue
- 702211 : Push button switch in black, dia.19mm, Ring illuminated, LED Green
- 702165 : Push button switch in black, dia.19mm, Ring illuminated, LED Red
- 702477 : Push button switch in black, dia.19mm, Ring illuminated, LED Red & Green
- 702462 : Push button switch in dual, dia.19mm, Ring illuminated, LED Red & Green
- 702197 : Push button switch in black, dia.19mm, Ring illuminated, LED White

# Datasheet

Item no. 701308/ 701309/ 701310/ 701316/ 701318/ 701319/ 701311/  
701312 / 701313/ 701320/ 701321/ 701322/ 702182/ 702211/ 702165/  
702477/ 702462/ 702197

V1\_0717\_01\_en

## METAL PUSHBUTTONS

Specification	701308 701309 701310 701316 701318 701319 701311 701312 701313 701320 701321 701322 702182 702211 702165 702477 702462 702197	
The Front Shape	Flat Round	
Terminations	Soldering(Pin Terminal)/2.8mm tabs	
Switching	NO.3	
Max. Switch Rating	5A/250VAC	
Contact Resistance	≤ 50mΩ	
Insulation Resistance	≥ 1000MΩ	
Dielectric Strength	2000VAC	
Operating Temp.	- 20°C ~ + 70°C	
Mechanical life	1,000,000 cycles	
Electrical life	50,000 cycles	
Contact material	Silver Alloy	
Panel Thickness	1 ~ 10mm	
Torque	5 ~ 14Nm	
Operation Pressure	5.5N	
IP Degree	IP67	
Material	Button	Stainless Steel
	Body	Stainless Steel
	Base	PBT
	RoHS	Yes
LED Spec.	Type	Ring Illuminated(LED)
	Rated Voltage	6V / 12V / 24V / 110V / 220V
	Color	<span style="color:red">R</span> <span style="color:green">G</span> <span style="color:yellow">Y</span> <span style="color:orange">O</span> <span style="color:blue">B</span> <span style="border:1px solid black; padding:0 2px;">W</span>
	Life	40,000 hours

This is a publication by Conrad Electronic SE, Klaus-Conrad-Str. 1, D-92240 Hirschau (www.conrad.com).

All rights including translation reserved. Reproduction by any method, e.g. photocopy, microfilming, or the capture in electronic data processing systems require the prior written approval by the editor. Reprinting, also in part, is prohibited. This publication represents the technical status at the time of printing.

© Copyright 2017 by Conrad Electronic SE.