

Datasheet

Item no. 702183/ 702478/ 702166/ 702464/ 702150/ 702212/ 702134/ 702198

V1_0717_01_en

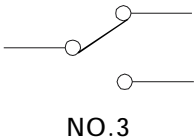
TECHNICAL DESCRIPTION

Lamp Ratings

Lamp Type	LED		
Rated Voltage	AC/DC6V	AC/DC12V	AC/DC24V
	AC/DC110V		AC/DC220V
Colours	R	G	Y O B W
Life	About 40,000 hours		

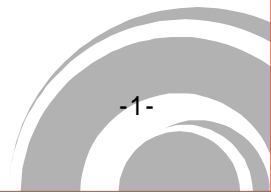
Note: There are protective resistor in the lamp, special voltage rate can be made to order.

Switching Operation



Soldering information

- ⦿ Handiwork soldering: Soldering iron 30W or under at 230°C for 3 sec max.



Datasheet

Item no. 702183/ 702478/ 702166/ 702464/ 702150/ 702212/ 702134/ 702198

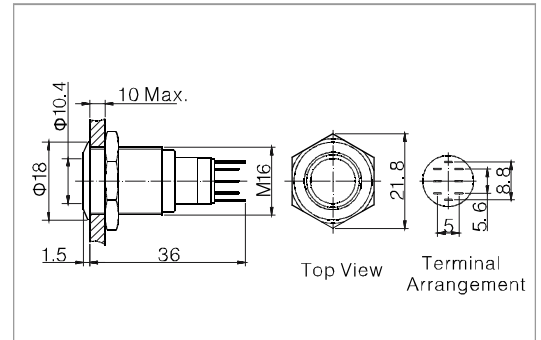
V1_0717_01_en

METAL PUSHBUTTONS

RING ILLUMINATED PUSHBUTTON



- ⊙ Φ 16mm diameter
- ⊙ 3A, 250VAC
- ⊙ 1NO1NC/2NO2NC
- ⊙ The Front Shape: Flat Round
- ⊙ Ring Illuminated
- ⊙ IP Degree: IP40/IP67
- ⊙ The crust material: Stainless Steel/
Brass(Nikel Plated, Gold Plated)



702183 : Momentary switch in Nickel -plated brass, dia.16mm,Blue Ring illuminated,12V,bell-symbol

702478 : Momentary switch in Nickel -plated brass, dia.16mm,Blue Ring illuminated,12V,power-symbol

702166 : Momentary switch in Nickel -plated brass, dia.16mm,Green Ring illuminated,12V,bell-symbol

702464 : Momentary switch in Nickel -plated brass, dia.16mm,Green Ring illuminated,12V,power-symbol

702150 : Momentary switch in Nickel -plated brass, dia.16mm,Red Ring illuminated,12V,bell-symbol

702212 : Momentary switch in Nickel -plated brass, dia.16mm,Red Ring illuminated,12V,power-symbol

702134 : Momentary switch in Nickel -plated brass, dia.16mm,White Ring illuminated,12V,bell-symbol

702198 : Momentary switch in Nickel -plated brass, dia.16mm,White Ring illuminated,12V,power-symbol

Datasheet

Item no. 702183/ 702478/ 702166/ 702464/ 702150/ 702212/ 702134/ 702198

V1_0717_01_en

METAL PUSHBUTTONS

Item no.	702183	702478	702166	702464	702150	702212	702134	702198
The Front Shape	Flat Round High Round							
Terminations	Soldering(Pin Terminal)							
Switching	NO.3							
Max. Switch Rating	3A/250VAC							
Contact Resistance	≤50mΩ							
Insulation Resistance	≥1000MΩ							
Dielectric Strength	2000VAC							
Operating Temp.	- 20°C ~ + 70°C							
Mechanical life	1,000,000 cycles							
Electrical life	50,000 cycles							
Contact material	Silver Alloy							
Panel Thickness	1 ~ 10mm							
Torque	5 ~ 14Nm							
Operation Pressure	5.5N							
IP Degree	IP40/IP67							
Material	Button	Stainless Steel/Brass(Nikel Plated, Gold Plated)						
	Body	Stainless Steel/Brass(Nikel Plated, Gold Plated)						
	Base	PBT						
RoHS	Yes							
LED Spec.	Type	Ring Illuminated(LED)						
	Rated Voltage	6V / 12V / 24V / 110V / 220V						
	Color	R G Y O B W						
	Life	40,000 hours						

This is a publication by Conrad Electronic SE, Klaus-Conrad-Str. 1, D-92240 Hirschau (www.conrad.com).

All rights including translation reserved. Reproduction by any method, e.g. photocopy, microfilming, or the capture in electronic data processing systems require the prior written approval by the editor. Reprinting, also in part, is prohibited. This publication represents the technical status at the time of printing.

© Copyright 2017 by Conrad Electronic SE.