

inter BÄR GmbH + Co. KG, Hälverstr. 43, 58579 Schalksmühle, phone +49 2355 893-0, www.interbaer.de

Data sheet

Article Description

Foot Intermediate Switch Type 5062

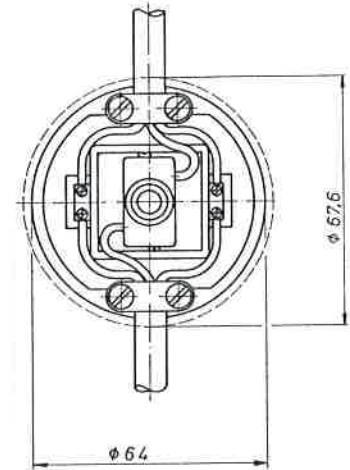
2 (1) A, 250 V~, 1-pole, on/off-switch

catch locking housing,
screwed turning strain relief

- for cable H03VV-F 2 x 0.75 mm², H03VV-F 3G 0.75 mm², H03VVH2-F 2 x 0.75 mm²
- degree of protection IP20
- screw terminals (suitable for connecting for unprepared conductors)
- degree of pollution : 2
- operating cycles: 1E4 (10.000)
- switch conduct: complete switch-off
- comparative figure of - tracking PTI: 175 V
- calculation detail of impulse withstand voltage : 2,5 kV U (imp)

Height with button: 33 mm
Diameter button: 32 mm

Article Picture



<i>inter BÄR-No.</i>	<i>Colour housing</i>	<i>button</i>
5062-000.	transparent	transparent
5062-010.	gold	gold
5062-020.	titan	black
5062-501.	white	black
5062-504.	black	black
5062-508.	white	white
5062-509.	brown	beige

Technical modifications reserved!

Works at 230 V-mains must only be carried out by a specialist!