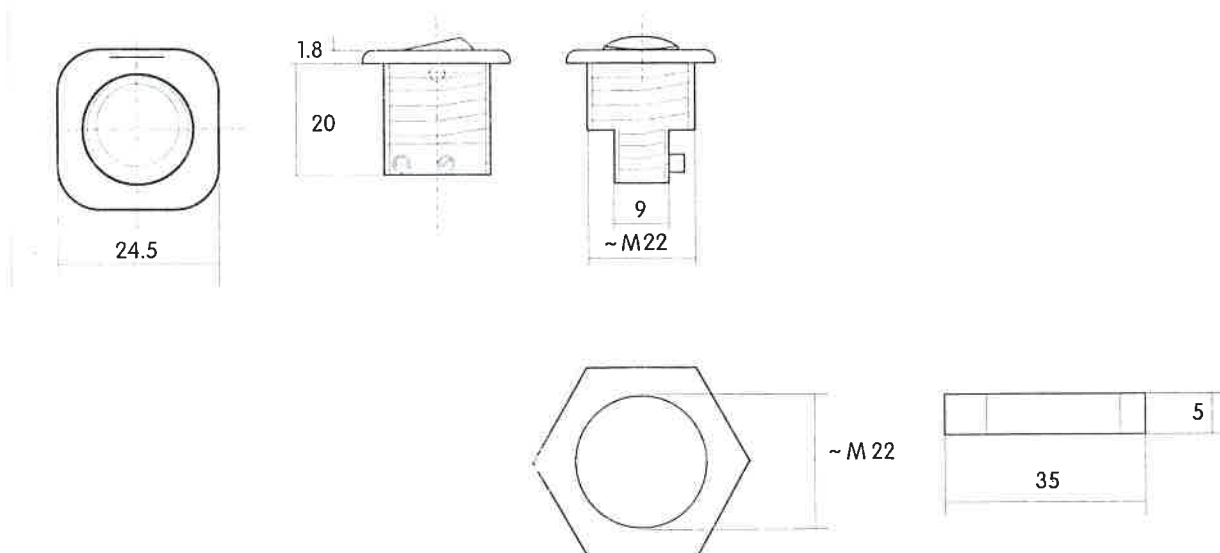

Data sheet

Article Description

Rocker Switch Type 8014/6 A

6 (2) A, 250 V ~ ac, 1-pole, on/off-switch, T 85° C
fitting dimension Ø22 mm,
for devices of protection class II,
fastening screw M 22, screw terminals,
with plastic hexagon nut

This type is suitable for switching the secondary circuit of halogen lamps



<i>inter BÄR-No.</i>	<i>Colour</i>
8014-001...	brown
8014-002...	white
8014-004...	black

Technical modifications reserved!
Works at 230 V-mains must only be carried out by a specialist!