

Data sheet

Article Description

Line intermediate switch Type 5044

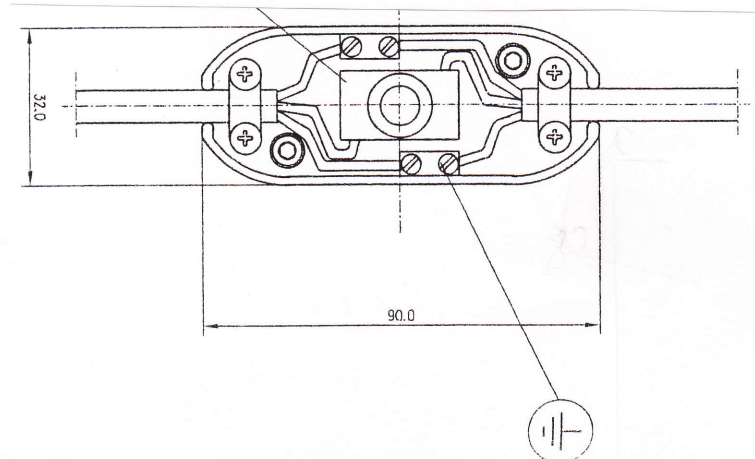
2 (1) A, 250 V~, 1-pole, on/off switch
screwed housing and **turning strain relief**,

- for cable H03VV-F 2 x 0,75 mm²,
H03VV-F 3G 0,75 mm², H03VVH2-F 2 x 0,75 mm²
- degree of protection: IP20
- screw terminals (suitable for connecting for unprepared conductors)
- degree of pollution: 2
- operating cycles: 1E4 (10.000)
- switch conduct: complete switch-off
- comparative figure of tracking PTI: 175 V
- calculation detail of impulse withstand voltage: 2,5 kV U (imp)

Article Picture



height with button: **29 mm**
diameter button: **15 mm**



<i>inter BÄR-No.</i>	<i>colour housing</i>	<i>button</i>
5044-000	transparent	transparent
5044-001.	white	black
5044-004.	white	black
5044-008.	white	white
5044-009.	brown	beige
5044-010.	gold	gold
5044-020.	titan	black

Technical modifications reserved!

Works at 230 V-mains must only be carried out by a specialist!