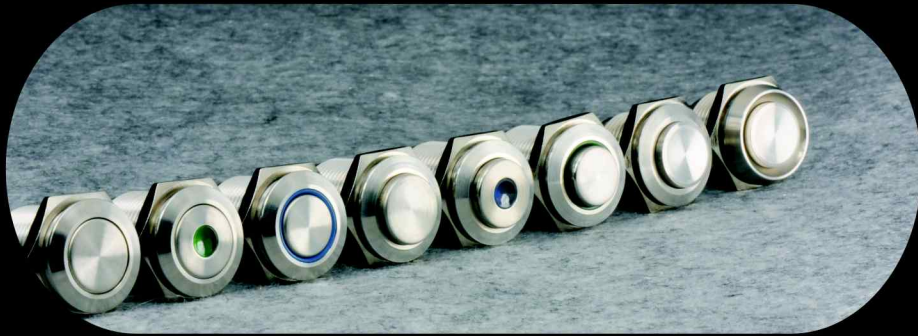
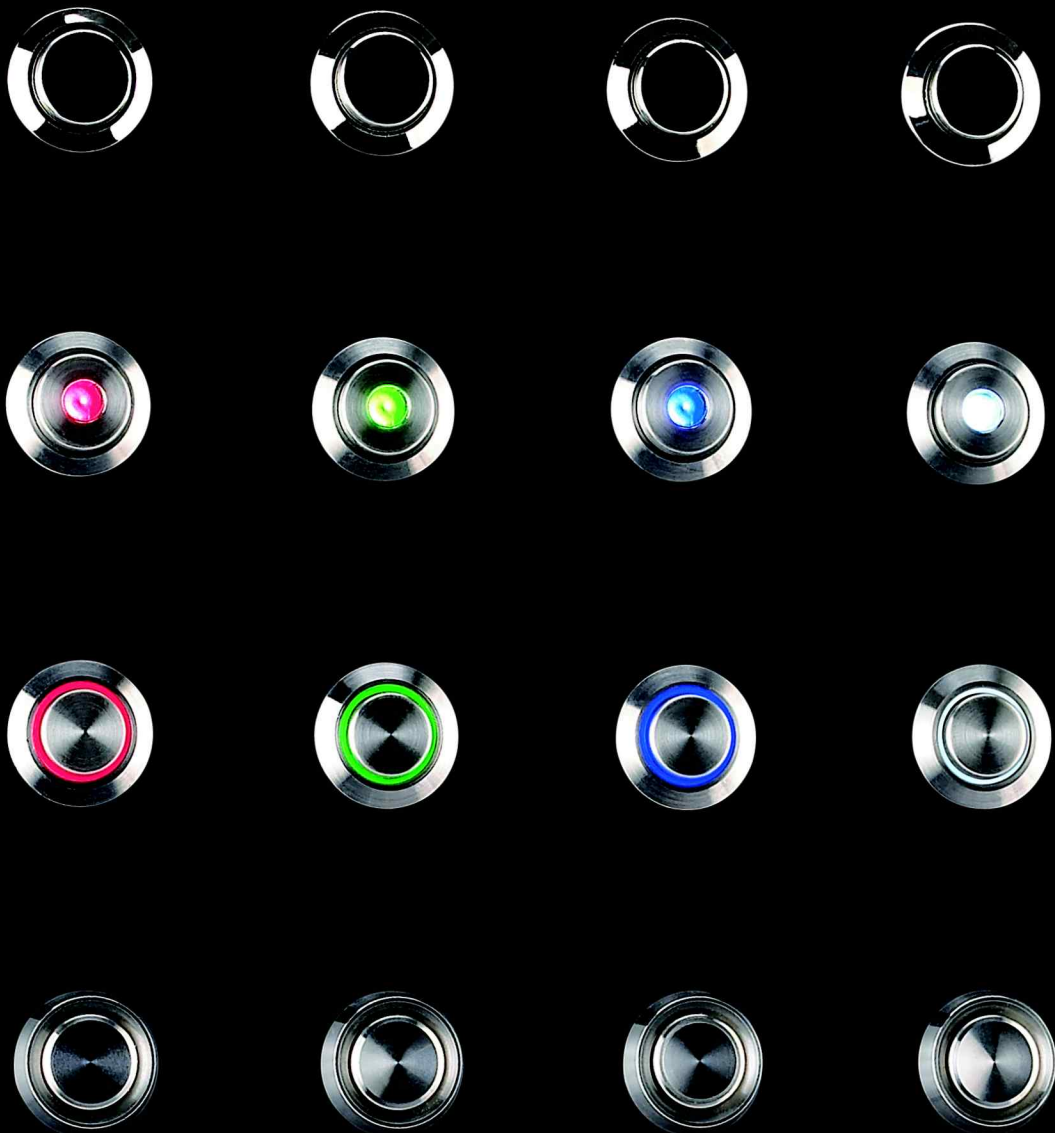


**ONPOW**



## LAS2GQ Series



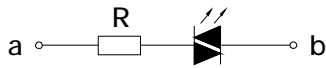
### Part-number Description >>

LAS2	GO	★	—	□	■	◇	/	△	/	▲	/	◎	/	☆
Code of series	Code name	The front shape	Contact structure:	Operation mode:	Lamp type	Lamp color and colorized button	Lamp voltage:	The crust material:	IP degree					
		F Flat Round	11 1NO1NC	Z Latching type	D Dot	R Red	AC/DC 6V	N Nickel-plated	FP IP67					
		H High Round	22 2NO2NC	No letter means momentary	E Ring	G Green	AC/DC 12V	Brass	No letter means IP40					
		C Concave Round				Y Yellow	AC/DC 24V	S Stainless steel	Pls check the detailed IP degree from P37					
		G High Concave Round				O Orange	AC/DC 110V							
						B Blue	AC/DC 220V							
						W White	Note: Other voltage can be made to order							

Note: Pls read the catalog carefully ,and choose the right part- number according to the sign.

### Lamp Ratings >>

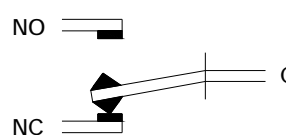
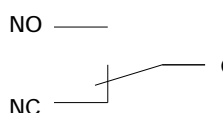
Lamp Type	LED lamp(AC/DC)			Lamp Circuit Diagram
LED Color	R G Y O B W			
Life	40000 hours(Reference)			
Rated Voltage	AC/DC6V	AC/DC12V	AC/DC110V	
	AC/DC24V	AC/DC36V	AC/DC220V	
Rated Current	About 15mA		About 3mA	
Dropping Way	Inner resistance		Outer resistance when using 6V lamp	



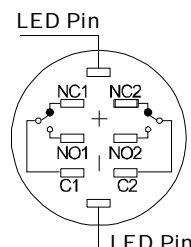
- Using AC/DC LED lamp, the terminals have no difference of anode and cathode;
- Using inner resistance for the lamp below 60V. Using 6V lamp when the lamp voltage is above 60V,and need connect outer dropping resistance.

Note: DC LED and other voltage can be made to order.

### Switching Operation >>

TYPE	C
Diagram	
Sign	
Explanation	Using three terminals, single-break and fast-motion changeover contact.

### Terminal Description >>



Can use two sets at most .  
 C1,NO1,NC1 and C2,NO2,NC2 are one set respectively.  
 C is common used, NO is normal opened, NC is normal closed;  
 +、- are lamp terminals, the standard LED have no difference of anode and cathode;  
 The lamp and switch are relatively independent and can use switch or peripheral circuit to control the lamp state.

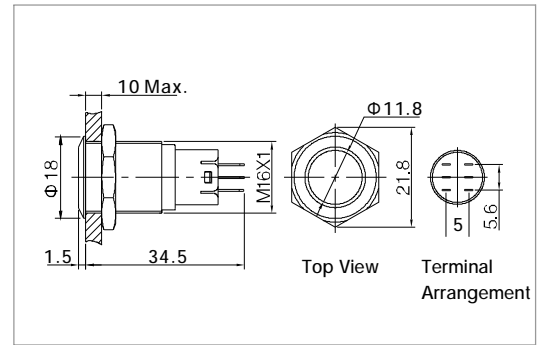
### Installation Effect >>



Metal push button



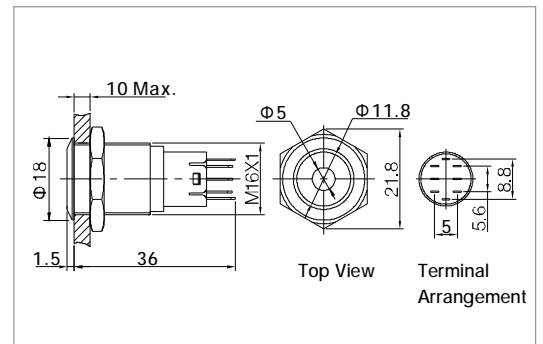
- ⊙  $\Phi$  16mm Diameter
- ⊙ Switch Rating: 3A/250VAC
- ⊙ Contact Configuration: 1NO1NC/2NO2NC
- ⊙ Operation Type: Momentary/Latching
- ⊙ The Front Shape: Flat Round
- ⊙ The Crust Material: Stainless Steel/ Nickel Plated Brass
- ⊙ IP Degree: IP40/IP67, IK09



Metal dot illuminated push button



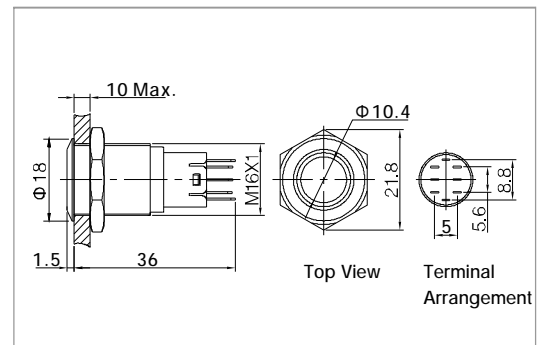
- ⊙  $\Phi$  16mm Diameter
- ⊙ Switch Rating: 3A/250VAC
- ⊙ Contact Configuration: 1NO1NC/2NO2NC
- ⊙ Operation Type: Momentary/Latching
- ⊙ The Front Shape: Flat Round
- ⊙ The Crust Material: Stainless Steel/ Nickel Plated Brass
- ⊙ Dot Illuminated
- ⊙ IP Degree: IP40/IP67, IK09



Metal ring illuminated push button



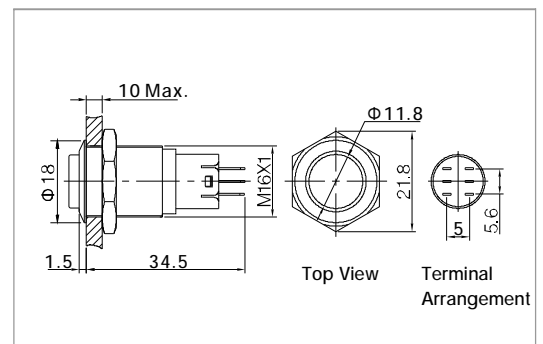
- ⊙  $\Phi$  16mm Diameter
- ⊙ Switch Rating: 3A/250VAC
- ⊙ Contact Configuration: 1NO1NC/2NO2NC
- ⊙ Operation Type: Momentary/Latching
- ⊙ The Front Shape: Flat Round
- ⊙ The Crust Material: Stainless Steel/ Nickel Plated Brass
- ⊙ Ring Illuminated
- ⊙ IP Degree: IP40/IP67, IK09



Metal push button



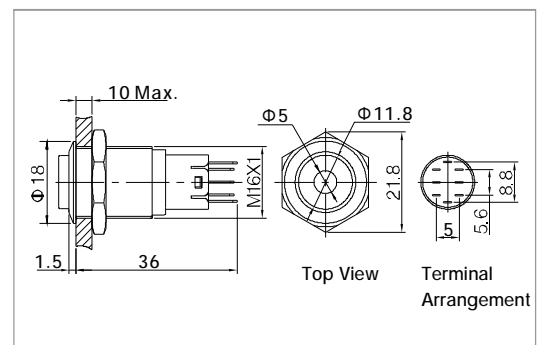
- ⊙  $\Phi$  16mm Diameter
- ⊙ Switch Rating: 3A/250VAC
- ⊙ Contact Configuration: 1NO1NC/2NO2NC
- ⊙ Operation Type: Momentary/Latching
- ⊙ The Front Shape: High Round
- ⊙ The Crust Material: Stainless Steel/ Nickel Plated Brass
- ⊙ IP Degree: IP40/IP67, IK09



Metal dot illuminated push button



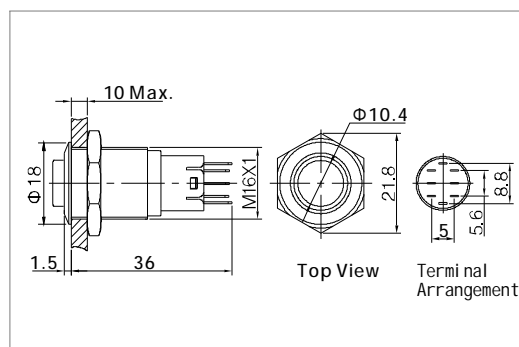
- ⊙  $\Phi$  16mm Diameter
- ⊙ Switch Rating: 3A/250VAC
- ⊙ Contact Configuration: 1NO1NC/2NO2NC
- ⊙ Operation Type: Momentary/Latching
- ⊙ The Front Shape: High Round
- ⊙ The Crust Material: Stainless Steel/ Nickel Plated Brass
- ⊙ Dot Illuminated
- ⊙ IP Degree: IP40/IP67, IK09



**Metal ring illuminated push button**



- ⊙  $\Phi$  16mm Diameter
- ⊙ Switch Rating: 3A/250VAC
- ⊙ Contact Configuration: 1NO1NC/2NO2NC
- ⊙ Operation Type: Momentary/Latching
- ⊙ The Front Shape: High Round
- ⊙ The Crust Material: Stainless Steel/ Nickel Plated Brass
- ⊙ Ring Illuminated
- ⊙ IP Degree: IP40/IP67, IK09

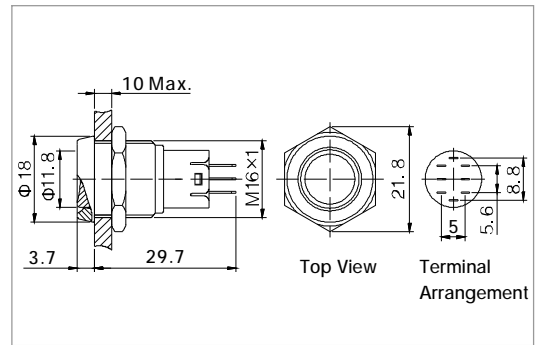


Specification	LAS2GQF-□■/◎/☆ LAS2GQH-□■/◎/☆	LAS2GQF-□■D/△/▲/◎/☆ LAS2GQH-□■D/△/▲/◎/☆	LAS2GQF-□■E/△/▲/◎/☆ LAS2GQH-□■E/△/▲/◎/☆
The Front Shape	Flat Round High Round	Flat Round High Round	Flat Round High Round
Terminal Type	Pin Terminal(1.8×0.4mm)	Pin Terminal(1.8×0.4mm)	Pin Terminal(1.8×0.4mm)
Switching	C(single-break fast-motion changeover contact)	C(single-break fast-motion changeover contact)	C(single-break fast-motion changeover contact)
Max. Switch Rating	Ith:3A Ui:250VAC	Ith:3A Ui:250VAC	Ith:3A Ui:250VAC
Contact Resistance	≤50mΩ	≤50mΩ	≤50mΩ
Insulation Resistance	≥1000MΩ	≥1000MΩ	≥1000MΩ
Dielectric Intensity	2000VAC	2000VAC	2000VAC
Operating Temp	-20℃ ~ +55℃	-20℃ ~ +55℃	-20℃ ~ +55℃
Mechanical Life	200,000 cycles	200,000 cycles	200,000 cycles
Electrical Life	50,000 cycles	50,000 cycles	50,000 cycles
Panel Thickness	1 ~ 10mm	1 ~ 10mm	1 ~ 10mm
Torque	5 ~ 14Nm	5 ~ 14Nm	5 ~ 14Nm
Operation Pressure	2.5 ~ 4N	2.5 ~ 4N	2.5 ~ 4N
Operation Travel	About 2.8mm	About 2.8mm	About 2.8mm
IP Degree	IP40/IP67,IK09	IP40/IP67, IK09	IP40/IP67, IK09
Material	Contact	Silver Alloy	Silver Alloy
	Button	Stainless Steel/Nickel Plated Brass	Stainless Steel/Nickel Plated Brass
	Body	Stainless Steel/Nickel Plated Brass	Stainless Steel/Nickel Plated Brass
	Base	PBT	PBT
	RoHS	Made to order	Made to order
LED	Type	Without Lamp	Dot Illuminated(LED)
	Rated Voltage	---	6V / 12V / 24V / 110V / 220V
Spec.	Color	---	<span style="color:red">R</span> <span style="color:green">G</span> <span style="color:yellow">Y</span> <span style="color:orange">O</span> <span style="color:blue">B</span> <span style="color:white">W</span>
	Life	---	40000 hours

Anti-vandal metal push button



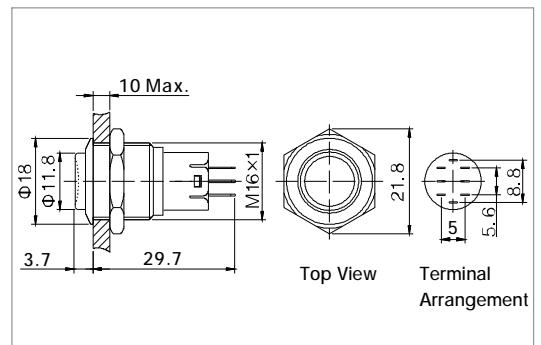
- ⊙ Φ 16mm Diameter
- ⊙ Switch Rating: 3A/250VAC
- ⊙ Contact Configuration: 1NO1NC/2NO2NC
- ⊙ Operation Type: Momentary/Latching
- ⊙ The Front Shape: Concave Round
- ⊙ The Crust Material: Stainless Steel/ Nickel Plated Brass
- ⊙ IP Degree: IP40/IP67, IK10



Anti-vandal metal push button



- ⊙ Φ 16mm Diameter
- ⊙ Switch Rating: 3A/250VAC
- ⊙ Contact Configuration: 1NO1NC/2NO2NC
- ⊙ Operation Type: Momentary/Latching
- ⊙ The Front Shape: High Concave Round
- ⊙ The Crust Material: Stainless Steel/ Nickel Plated Brass
- ⊙ IP Degree: IP40/IP67, IK09
- ⊙ Head Color: R/G/Y/O/B/W/N



Specification	LAS2GQC-□■/◎/☆	LAS2GQG-□■/△/◎/☆
The Front Shape	Concave Round	High Concave Round
Terminal Type	Pin Terminal(1.8×0.4mm)	Pin Terminal(1.8×0.4mm)
Switching	C(single-break fast-motion changeover contact)	C(single-break fast-motion changeover contact)
Max. Switch Rating	Ith:3A Ui:250VAC	Ith:3A Ui:250VAC
Contact Resistance	≤50mΩ	≤50mΩ
Insulation Resistance	≥1000MΩ	≥1000MΩ
Dielectric Intensity	2000VAC	2000VAC
Operating Temp	-20℃ ~ +55℃	-20℃ ~ +55℃
Mechanical Life	200,000 cycles	200,000 cycles
Electrical Life	50,000 cycles	50,000 cycles
Panel Thickness	1 ~ 10mm	1 ~ 10mm
Torque	5 ~ 14Nm	5 ~ 14Nm
Operation Pressure	2.5 ~ 4N	2.5 ~ 4N
Operation Travel	About 2.8mm	About 2.8mm
IP Degree	IP40/IP67,IK10	IP40/IP67,IK09
Head Color	Machine brushed	R G Y O B W N
Material	Contact	Silver Alloy
	Button	Stainless Steel/Nickel Plated Brass
	Body	Stainless Steel/Nickel Plated Brass
	Base	PBT
RoHS	Made to order	Made to order

## Symbol List >>

Character	1 2 3 4 5 6 7 8 9 10
	11 12 13 14 15 16 17 18 19 20
	21 22 23 24 25 26 27 28 29 30
Number and Sign	31 32 33 34 35 36 37 38 39 40
	41 42 43 44 45 46 47 48 49 50
ISO Sign	51 straight-line move 52 turn 53 start 54 stop 55 start / stop 56 point move
	57 pump 58 cooling pump 59 lubricant pump 60 hydraulic pump 61 automatic or semiautomatic cycle 62 spacing straight-line move
Special Sign	63 64 65 66 67 68

Note: All above symbols can be made to order.