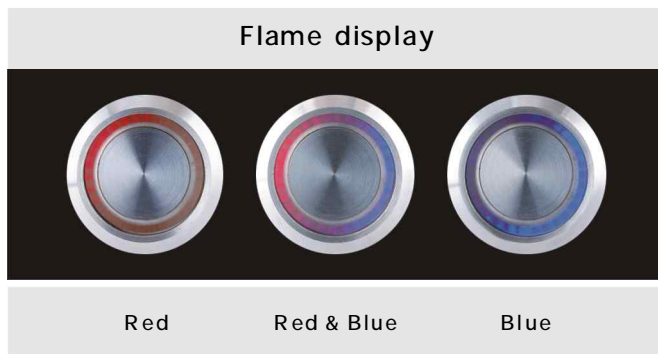
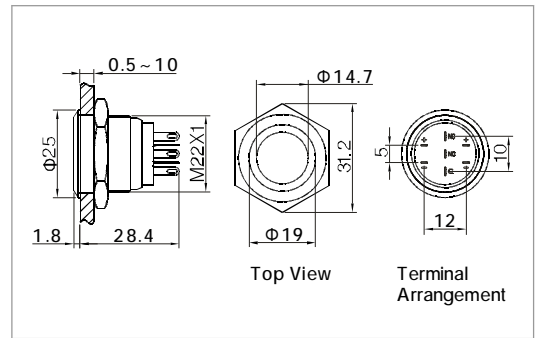


Check the detailed part number from P29

Anti-vandal micro-travel push button



- ⊙ Φ22mm Diameter
- ⊙ Switch Rating: 0.5A/250VAC
- ⊙ Contact Configuration:1NO1NC
- ⊙ Operation Type: Momentary
- ⊙ The Crust Material: Stainless Steel
- ⊙ Ring Illuminated
- ⊙ Travel:0.5mm
- ⊙ IP Degree: IP67
- ⊙ Contact structure is same as LAS1-AGQ, check the detail from P24



Feature:

- ⊙ Whole sealing structure, strong waterproof;
- ⊙ Micro-travel, nice operating hand feeling;
- ⊙ Using inner switch module, reliable and sensitive connection;
- ⊙ Using two lamps; have many LED color to recognize different signal. The same color flame in crescent ring, the different color can generate third mixed flame color at the blending place.
- ⊙ Used for low-current circuit to control the on-off signal of electronic logic circuit.

Specification	GQ22-11WE/ΔΔ/▲	
The Front Shape	Flat Round	
Terminal Type	Pin Terminal(2.4×0.3mm)	
Switching	C(single-break fast-motion changeover contact)	
Max. Switch Rating	0.5A/250VAC	
Contact Resistance	≤30mΩ	
Insulation Resistance	≥1000MΩ	
Dielectric Intensity	2000VAC	
Operating Temp	-20℃ ~ +55℃	
Mechanical Life	1,000,000 cycles	
Electrical Life	300,000 cycles	
Panel Thickness	0.5~10mm	
Torque	5~14Nm	
Operation Pressure	About 3~6N	
Operation Travel	About 0.5mm	
IP Degree	IP67	
Material	Contact	Silver Alloy
	Button	Stainless Steel
	Body	Stainless Steel
	Base	PA
	RoHS	Made to order
LED	Type	Dual-color Ring Illuminated(LED)
	Rated Voltage	6V / 12V / 24V / 110V / 220V
Spec.	Color	R G Y O B W
	Life	40000 hours