

Electronic housing - ME MAX 35 U-U1 KMGY - 2713667

Please be informed that the data shown in this PDF Document is generated from our Online Catalog. Please find the complete data in the user's documentation. Our General Terms of Use for Downloads are valid (<http://download.phoenixcontact.com>)



Electronic housing consisting of: Housing shells left and right, 2x front plate, 2x transparent cover, intermediate element, metal foot catch and spring, open housing, 6-pos. (2 x 3 pos.), width: 35 mm, color: Light gray

The illustration shows the version ME MAX 35 3-3 KMGY with DIN rail connector plugged in

Product Features

- Labels for additional labeling as an option
- Plug-in connection with screw, spring-cage or fast connection technology
- DIN rail bus connector as an option
- Large PCB surface despite compact housing dimensions
- Large front surface for high-pos. plugs or operating and setting elements
- The fitted cover is easy to adapt and print
- Easy module replacement without interrupting the contact chain
- Fixed or plug-in connection technology can be combined on up to three connection levels, with different pitches
- Functional earth ground contact as an option
- Transparent front cover can be swiveled

Key commercial data

package_quantity	10
GTIN	4017918936167

Technical data

General

Housing type	Complete housing
Housing material	Polyamide
Color	light gray

Ambient conditions

Ambient temperature (operation)	-40 °C ... 105 °C
--	-------------------

Dimensions

Length	99 mm
Constructional height	114.5 mm
Width	35 mm

Technical data

Inflammability class according to UL 94	V0
--	----

Electronic housing - ME MAX 35 U-U1 KMGY - 2713667

Technical data

Technical data

Power dissipation at 20°C in the horizontal mounting position	7.9 W 16.3 W
Number of positions	6

classifications

eCl@ss

eCl@ss 4.0	27180401
eCl@ss 4.1	27180401
eCl@ss 5.0	27180506
eCl@ss 5.1	27180506
eCl@ss 6.0	27180802
eCl@ss 7.0	27182702
eCl@ss 8.0	27182702

ETIM

ETIM 2.0	EC001031
ETIM 3.0	EC001031
ETIM 4.0	EC001031
ETIM 5.0	EC001031

UNSPSC

UNSPSC 6.01	31261501
UNSPSC 7.0901	31261501
UNSPSC 11	31261501
UNSPSC 12.01	31261501
UNSPSC 13.2	31261501

approvals

UL Recognized / cUL Recognized / cULus Recognized /

Approval details



Electronic housing - ME MAX 35 U-U1 KMGY - 2713667

approvals

cULus Recognized  US

accessories

Printed circuit board terminal

MKDSO 2,5/ 3-6 SET KMGY - 2713735



MKDSO 2,5/ 3-6 SET - 2707932



Printed circuit board housing

MSTBO 2,5/ 3-6 ST SET KMGY - 2713748



MSTBO 2,5/ 3-6 ST SET - 2707958



Filler plug

Electronic housing - ME MAX 35 U-U1 KMGY - 2713667

accessories

ME MAX B-17,5 KMGY - 2706959



PCB

ME MAX LP SAMPLE MSTBO 2-2 - 2713777



Ground contact

ME FE-CONTACT - 2908294



Device marking

BMKLT 31,5X12 WH - 0813802



DIN rail connector

ME 17,5 TBUS 1,5/ 5-ST-3,81 GN - 2709561



Electronic housing - ME MAX 35 U-U1 KMGY - 2713667

accessories

accessories

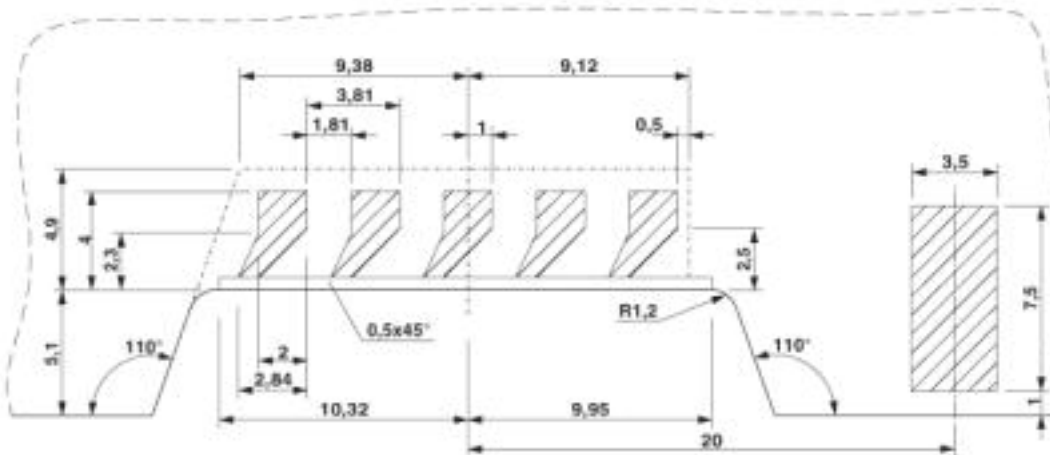
ME 17,5 TBUS 1,5/ 5-ST-3,81 KMGY - 2713645



ME MAX B-17,5 GN - 2706991

Drawings

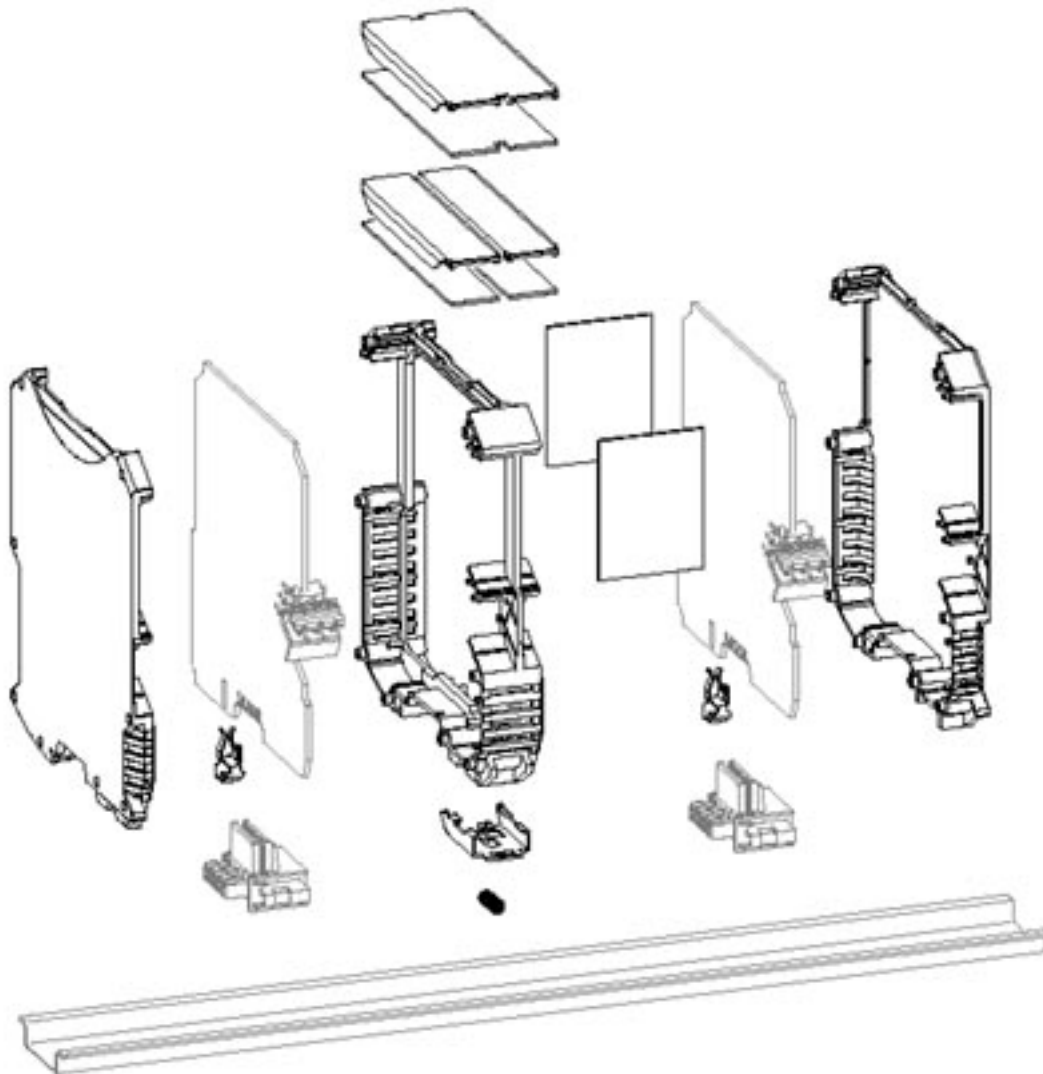
Drilling diagram



Detailed dimensional drawing of the DIN rail connector contact pads

Electronic housing - ME MAX 35 U-U1 KMGY - 2713667

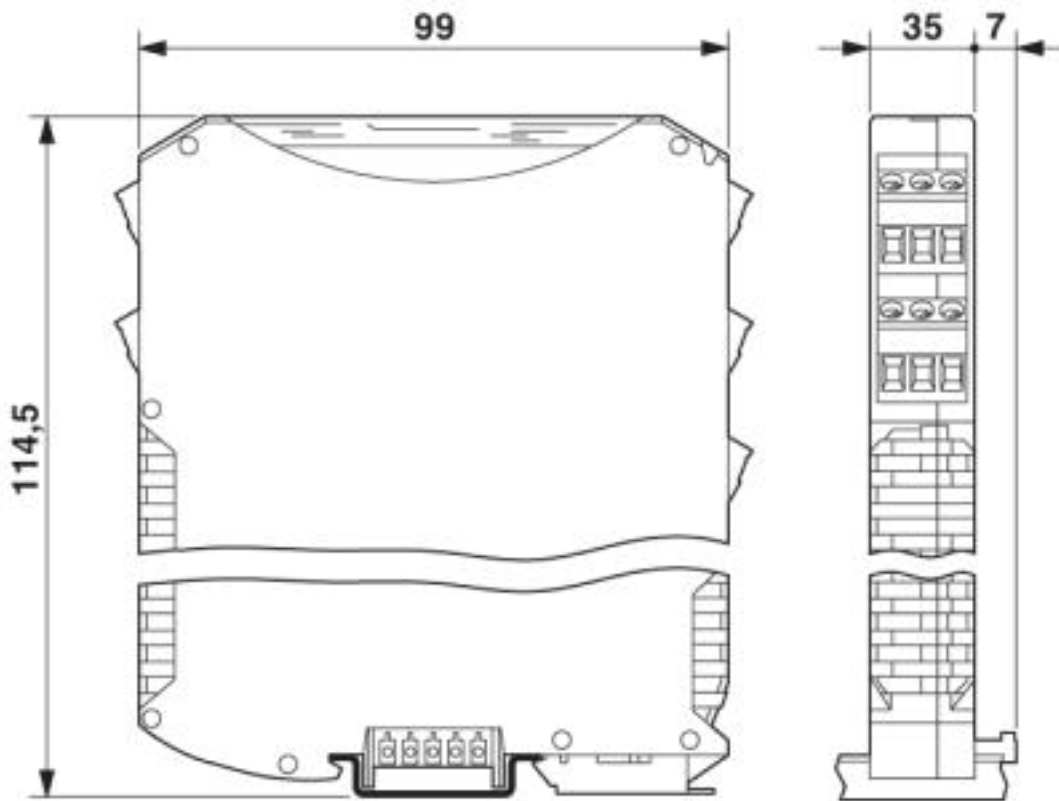
Explosion drawing



The illustration shows a version of the product (open housing) with accessories

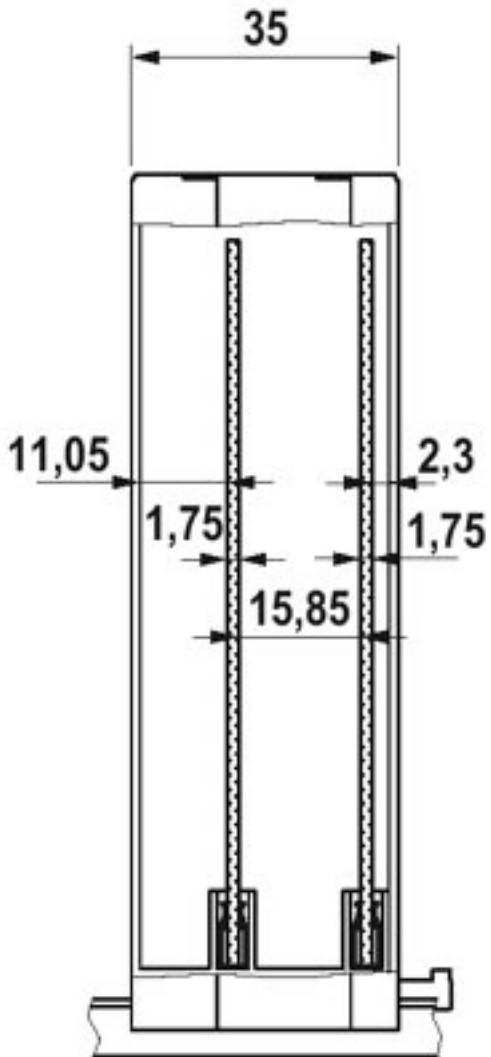
Electronic housing - ME MAX 35 U-U1 KMGY - 2713667

Dimensioned drawing



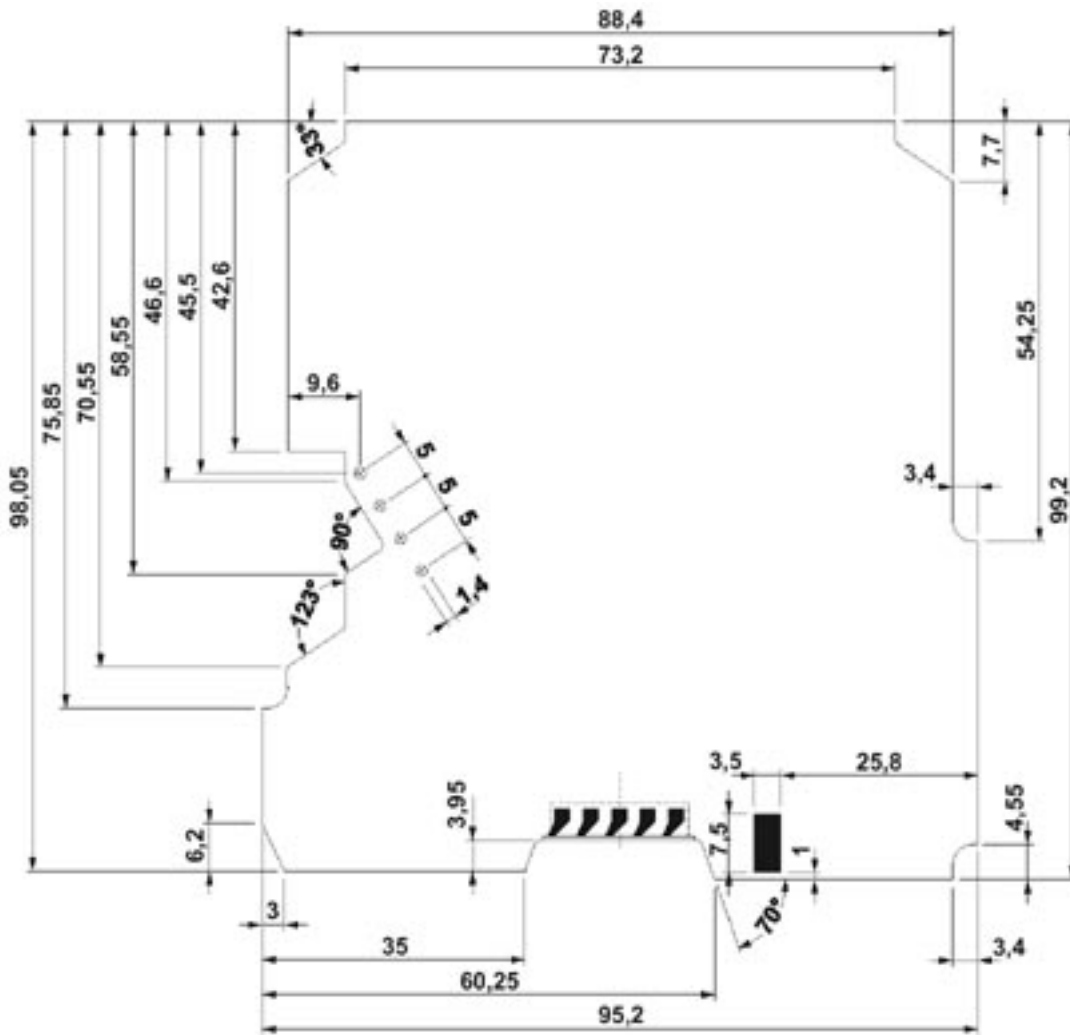
Electronic housing - ME MAX 35 U-U1 KMGY - 2713667

Dimensioned drawing



Electronic housing - ME MAX 35 U-U1 KMGY - 2713667

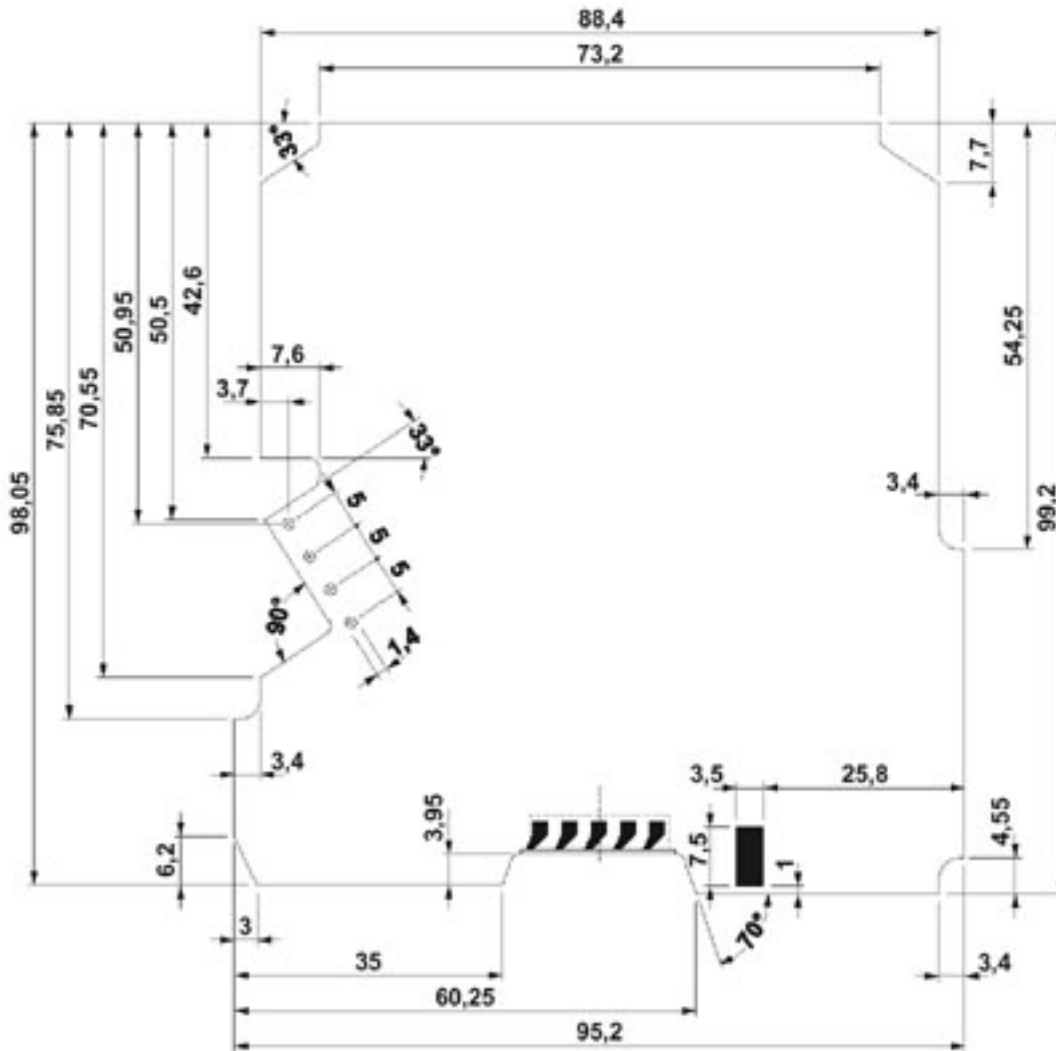
Dimensioned drawing



Dimensional drawing of the ME MAX U-U1 printed circuit board for plug connection (MSTBO), view: component side

Electronic housing - ME MAX 35 U-U1 KMGY - 2713667

Dimensioned drawing



Dimensional drawing of the ME MAX U-U1 printed circuit board, for printed circuit terminal block connection (MKDSO), view: component side

© Phoenix Contact 2013 - all rights reserved
<http://www.phoenixcontact.com>