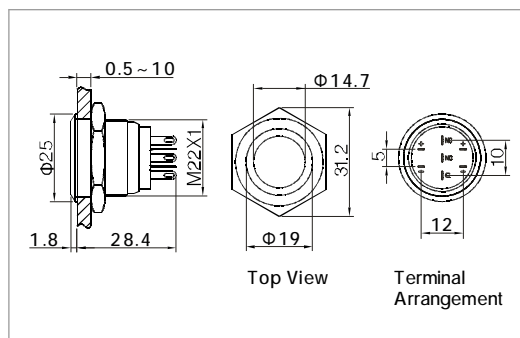


Anti-vandal micro-travel push button

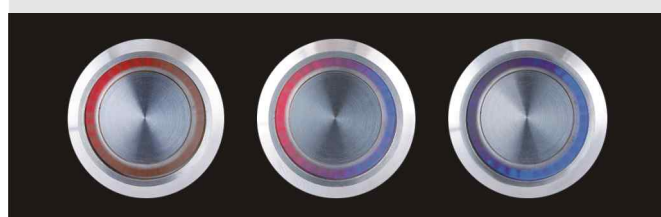


GQ22-11WE/ΔΔ/▲

- ⊙ Φ22mm Diameter
- ⊙ Switch Rating: 0.5A/250VAC
- ⊙ Contact Configuration:1NO1NC
- ⊙ Operation Type: Momentary
- ⊙ The Crust Material: Stainless Steel
- ⊙ Ring Illuminated
- ⊙ Travel:0.5mm
- ⊙ IP Degree: IP67
- ⊙ Contact structure is same as LAS1-AGQ, check the detail from P24



Flame display



Red

Red & Blue

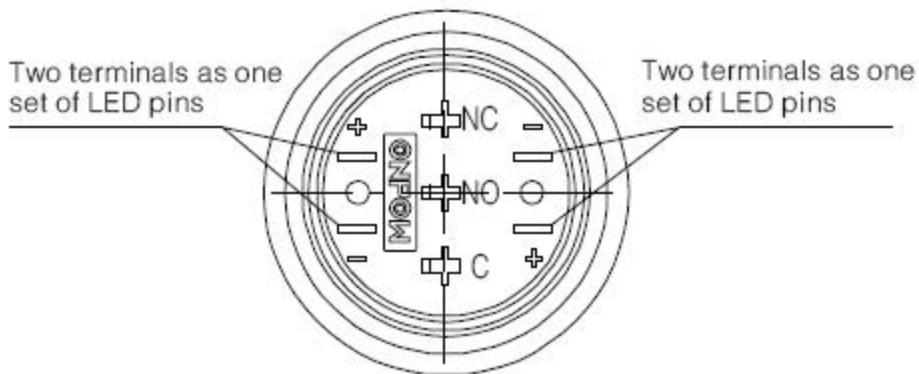
Blue

Feature:

- ⊙ Whole sealing structure, strong waterproof;
- ⊙ Micro-travel, nice operating hand feeling;
- ⊙ Using inner switch module, reliable and sensitive connection;
- ⊙ Using two lamps; have many LED color to recognize different signal. The same color flame in crescent ring, the different color can generate third mixed flame color at the blending place.
- ⊙ Used for low-current circuit to control the on-off signal of electronic logic circuit.

Specification	GQ22-11WE/ΔΔ/▲	
The Front Shape	Flat Round	
Terminal Type	Pin Terminal(2.4×0.3mm)	
Switching	C(single-break fast-motion changeover contact)	
Max. Switch Rating	0.5A/250VAC	
Contact Resistance	≤30mΩ	
Insulation Resistance	≥1000MΩ	
Dielectric Intensity	2000VAC	
Operating Temp	-20℃ ~ +55℃	
Mechanical Life	1,000,000 cycles	
Electrical Life	300,000 cycles	
Panel Thickness	0.5~10mm	
Torque	5~14Nm	
Operation Pressure	About 3~6N	
Operation Travel	About 0.5mm	
IP Degree	IP67	
Material	Contact	Silver Alloy
	Button	Stainless Steel
	Body	Stainless Steel
	Base	PA
	RoHS	Made to order
LED	Type	Dual-color Ring Illuminated(LED)
	Rated Voltage	6V / 12V / 24V / 110V / 220V
Spec.	Color	R G Y O B W
	Life	40000 hours

Terminal Description



Note: C is common used, NO is normal opened, NC is normal closed, +, - are LED pins. There is one LED on the left and another on the right, and the standard LED has no difference of anode and cathode. The LED and switch are relatively independent and can use switch or outer circuit to control the LED.